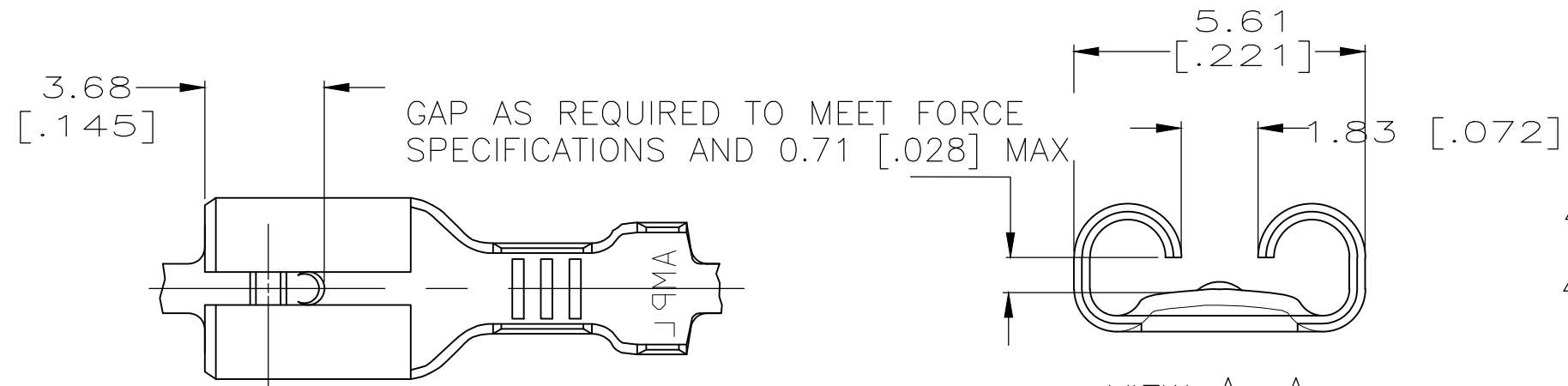


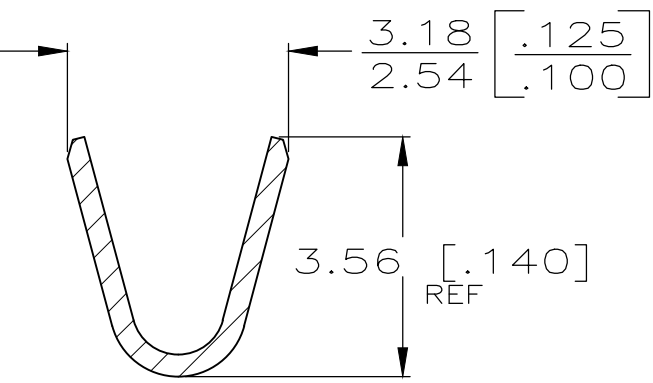
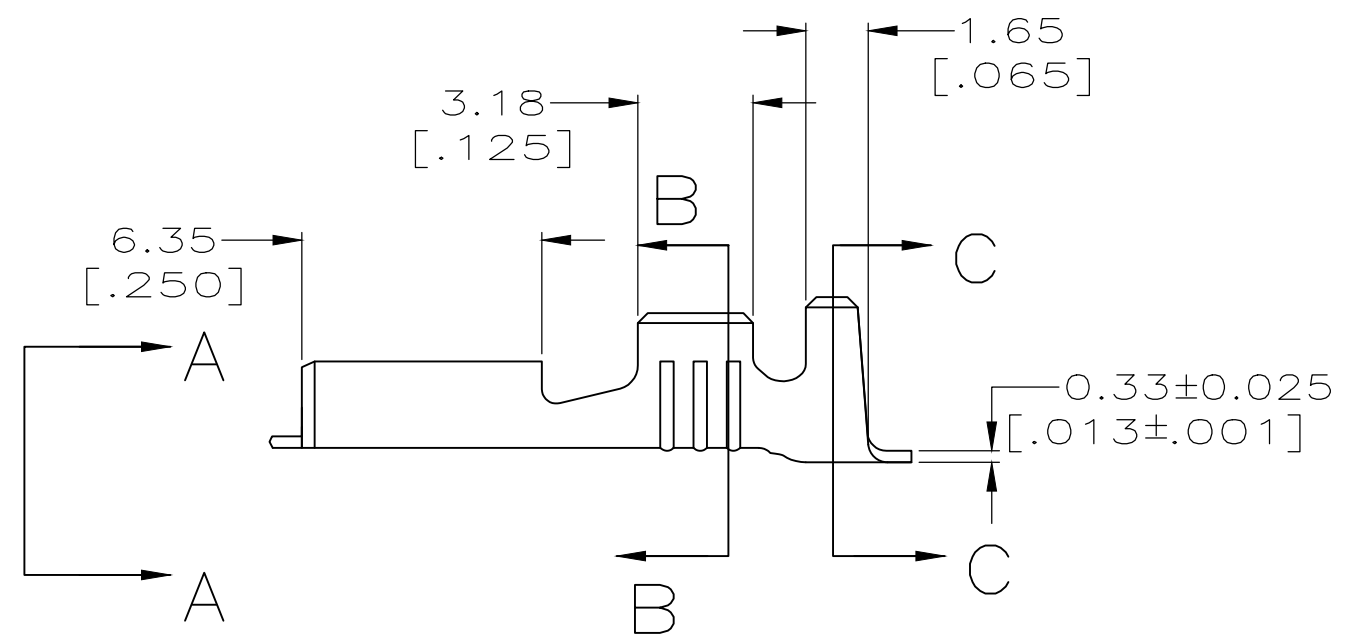
THIS DRAWING IS UNPUBLISHED. RELEASED FOR PUBLICATION
 © COPYRIGHT - By - ALL RIGHTS RESERVED.

LOC	DIST	REVISIONS			
P	LTR	DESCRIPTION	DATE	DWN	APVD
AF	50	J1	REVISED PER ECR-20-009164	3AUG2020	MK DH

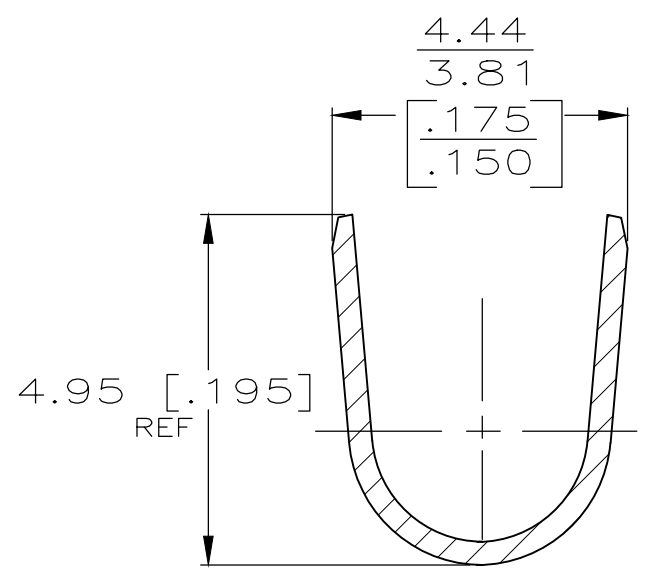
- 1 ACCEPTS WIRE SIZE [#20-#16] AWG.
- 2 INSULATION RANGE IS 2.29-3.30 [.090-.130] DIA.
- 3 CONTINUOUS STRIP ON REELS.
- 4 MATING TAB THK IS 0.84-0.76 [.033-.030].
- 5 SPECIAL PACKAGING
- 7 PRELIMINARY - NOT FOR PRODUCTION



VIEW A-A
SCALE 8:1



SECTION B-B
SCALE 8:1



SECTION C-C
SCALE 8:1

FINISH	MATERIAL	PART NO.
TIN	PHOS BRONZE	63477-6
-	BRASS	5 63477-5 7
TIN	BRASS	63477-2
-	BRASS	63477-1

THIS DRAWING IS A CONTROLLED DOCUMENT.		DWN	JR RUTH	11/9/87	STE TE Connectivity											
DIMENSIONS: mm [INCHES]		CHK	G YETTER	11/10/87												
TOLERANCES UNLESS OTHERWISE SPECIFIED:		APVD	R KUZO	11/10/87												
<table border="0"> <tr><td>0 PLC</td><td>± -</td></tr> <tr><td>1 PLC</td><td>± -</td></tr> <tr><td>2 PLC</td><td>± 0.25 [.010]</td></tr> <tr><td>3 PLC</td><td>± -</td></tr> <tr><td>4 PLC</td><td>± -</td></tr> <tr><td>ANGLES</td><td>± -</td></tr> </table>		0 PLC	± -	1 PLC		± -	2 PLC	± 0.25 [.010]	3 PLC	± -	4 PLC	± -	ANGLES	± -	PRODUCT SPEC	
0 PLC	± -															
1 PLC	± -															
2 PLC	± 0.25 [.010]															
3 PLC	± -															
4 PLC	± -															
ANGLES	± -															
MATERIAL	SEE TABLE	FINISH		SEE TABLE	RECEPTACLE, LIF, FASTON, 4.75 [.187] SERIES											
MATERIAL		WEIGHT	-		SIZE	A3	CAGE CODE	00779	DRAWING NO	C-63477	RESTRICTED TO	-				
CUSTOMER DRAWING						SCALE	5:1	SHEET	1 OF 1	REV	J1					