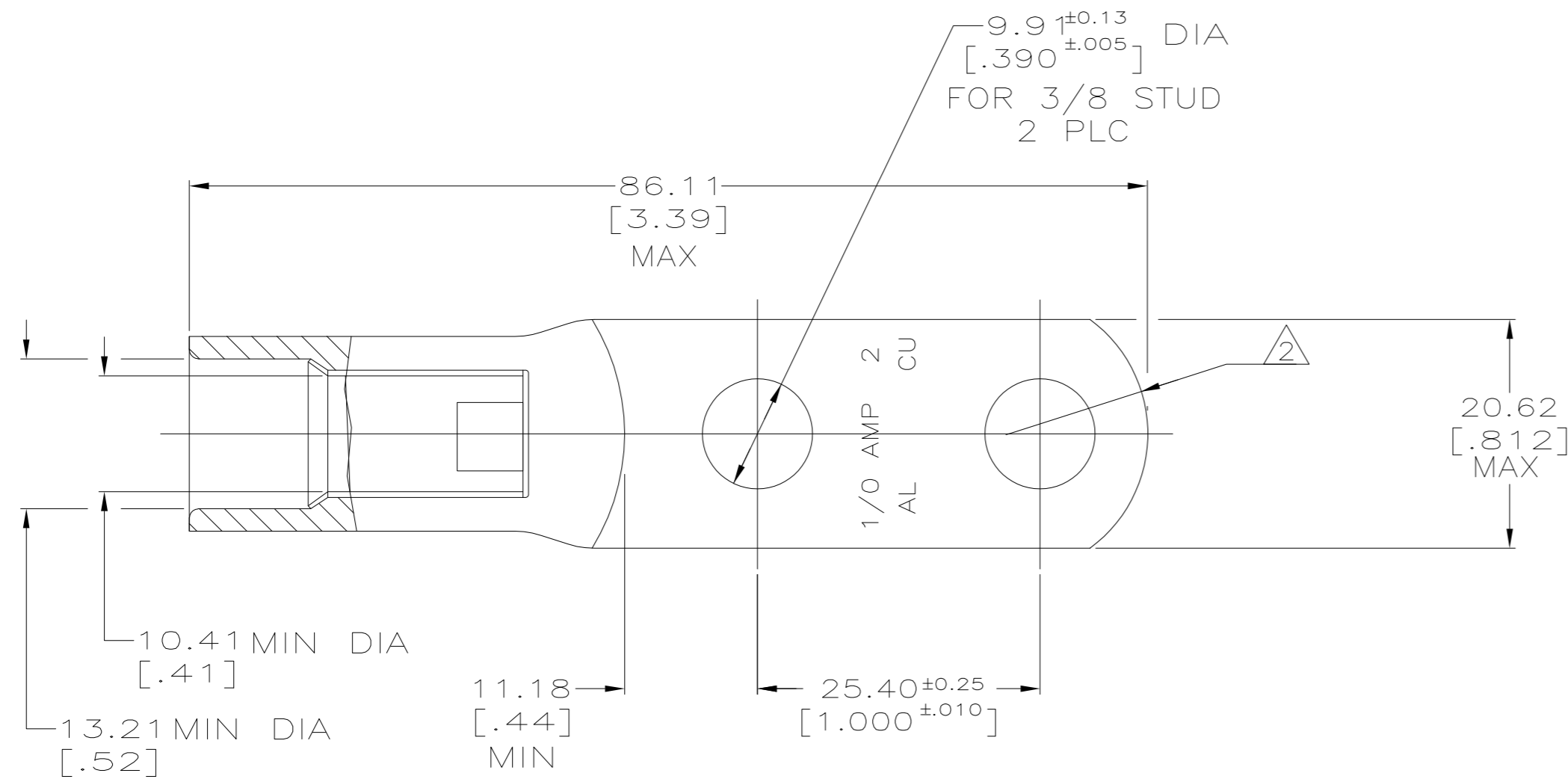
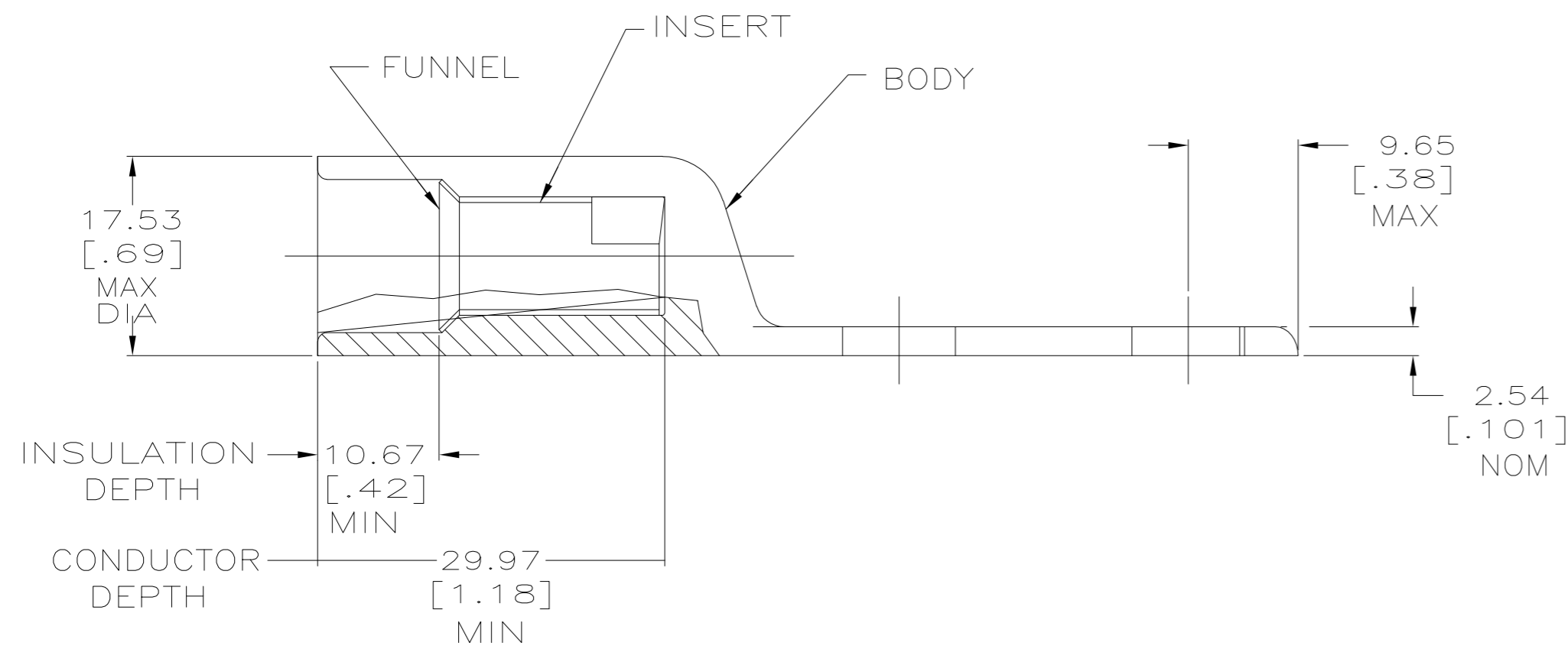


THIS DRAWING IS UNPUBLISHED. RELEASED FOR PUBLICATION
 © COPYRIGHT - By - ALL RIGHTS RESERVED.

REVISIONS				
P	LTR	DESCRIPTION	DATE	APVD
H		REV PER ECO 16-000990	2-19-16	CT PD



- 1 WIRE INSULATION: 10.79[.425] - 11.94[.470] DIA
- △ 2 THE TONGUE RADIUS FEATURE IS NOT A TOOLING CONTROLLED DIMENSION AND MAY NOT BE A TRUE RADIUS.



BODY: COPPER ASTM-B187 ANNEALED TIN PL MIL-T-10727 0.00457[.000150] MIN THK INSERT & FUNNEL: BRASS PER ASTM B36 NICKEL PLATE SAE AMS QQ-N-290A, DATED JULY 2000, 0.00254 [.000100] MIN THK	55837-1
MATERIAL AND FINISH	PART NO.

THIS DRAWING IS A CONTROLLED DOCUMENT.		DWN	DK SCHRUM	6/15/92	 TE Connectivity
DIMENSIONS:		CHK	WJ VOCKROTH	6/16/92	
mm [INCHES]		APVD	AJ KAUFMAN	6/16/92	
TOLERANCES UNLESS OTHERWISE SPECIFIED:		PRODUCT SPEC	108-11011	NAME	
0 PLC ± - 1 PLC ± - 2 PLC ± - 3 PLC ± - 4 PLC ± - ANGLES ± -	FINISH SEE TABLE	APPLICATION SPEC	114-2134	SIZE	WIRE TERMINAL, COPALUM SEALED, RING TONGUE, WIRE SIZE: 1/0 AL, 2 COPPER
MATERIAL	SEE TABLE	WEIGHT	62 GRAMS	CAGE CODE	RESTRICTED TO
		CUSTOMER DRAWING	A2	00779	SCALE
				C=55837	2:1
					SHEET
					1 of 1
					REV
					H