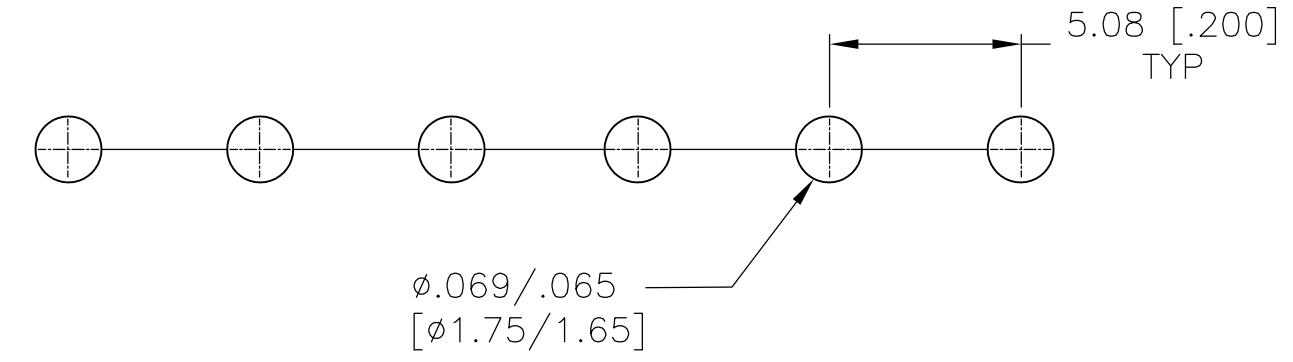
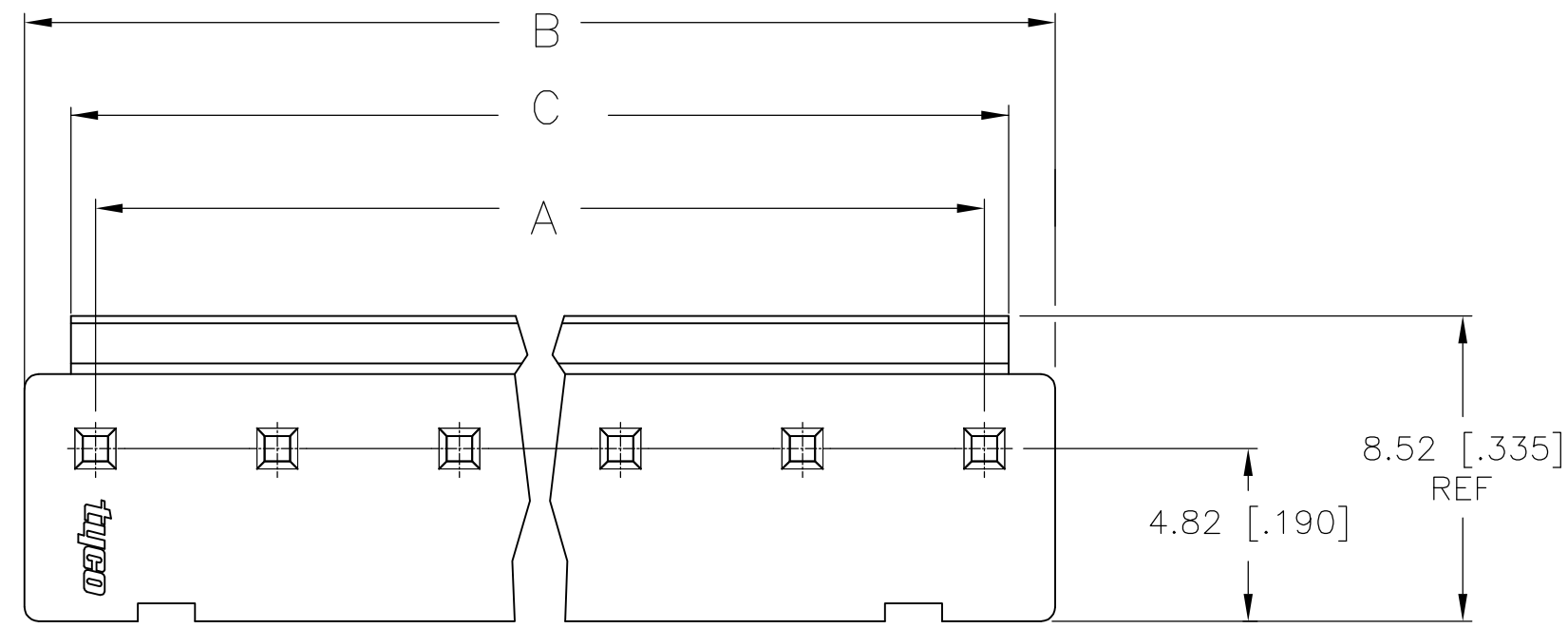
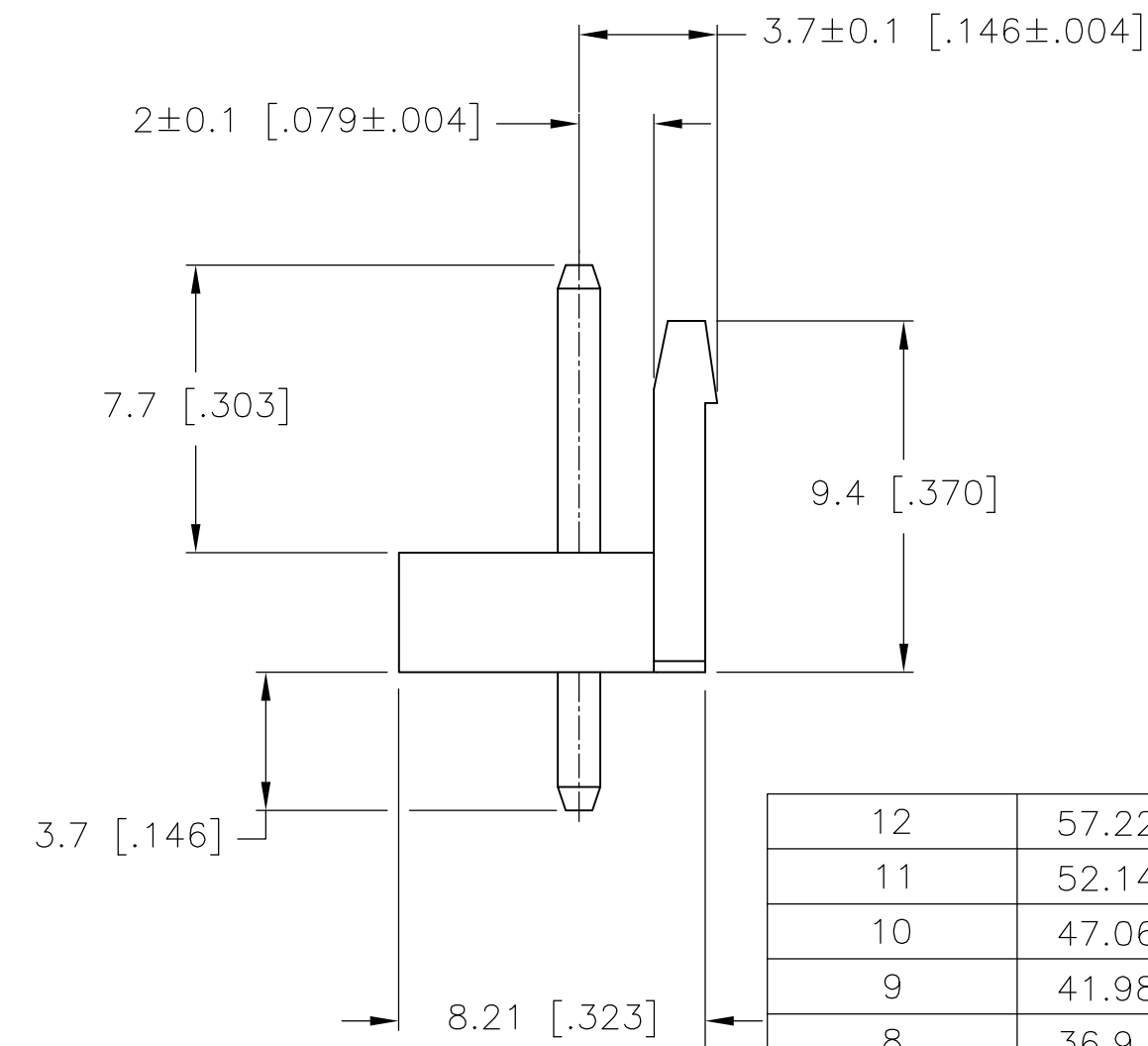
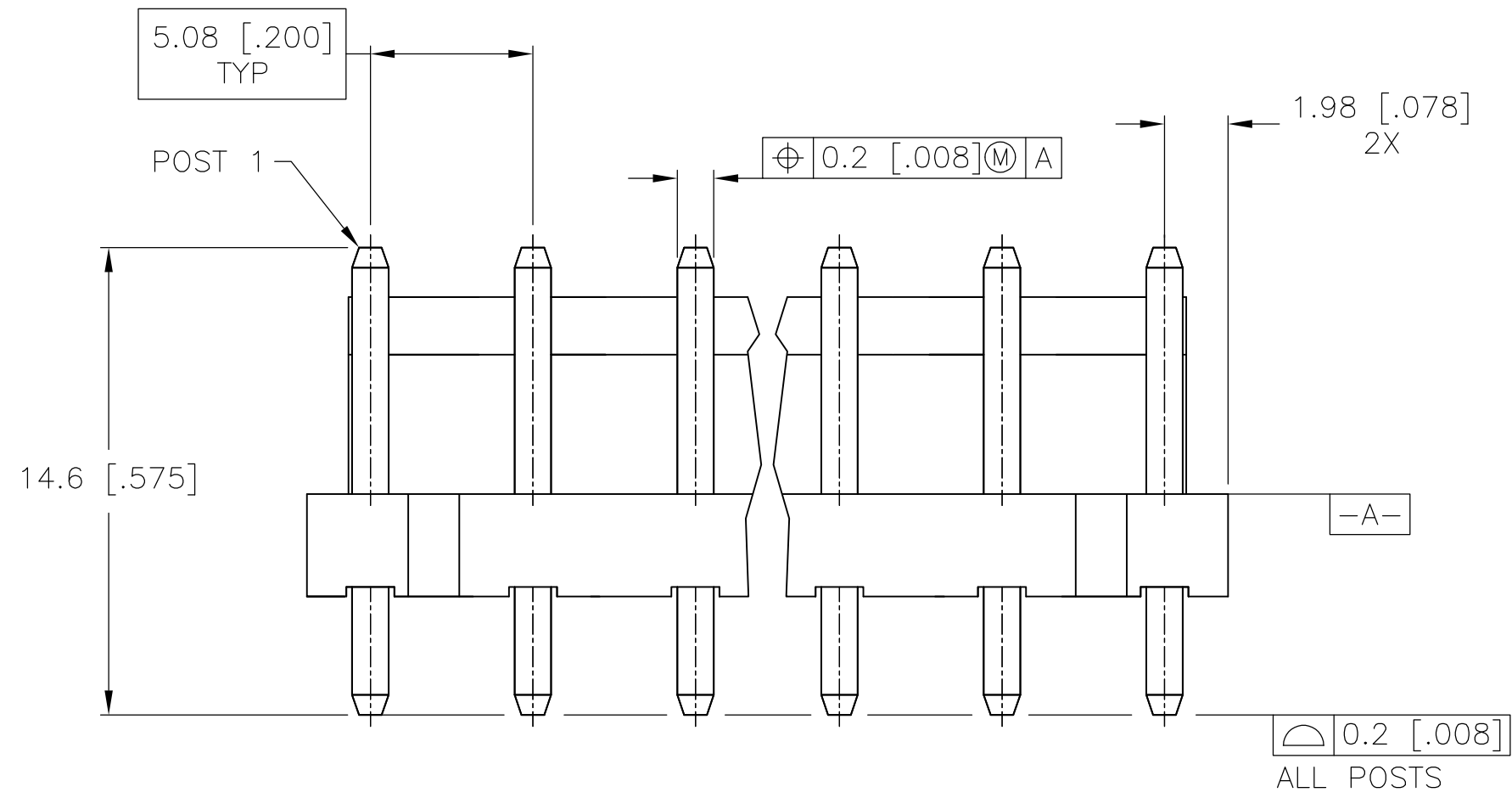


THIS DRAWING IS UNPUBLISHED. RELEASED FOR PUBLICATION  
 © COPYRIGHT By - ALL RIGHTS RESERVED.

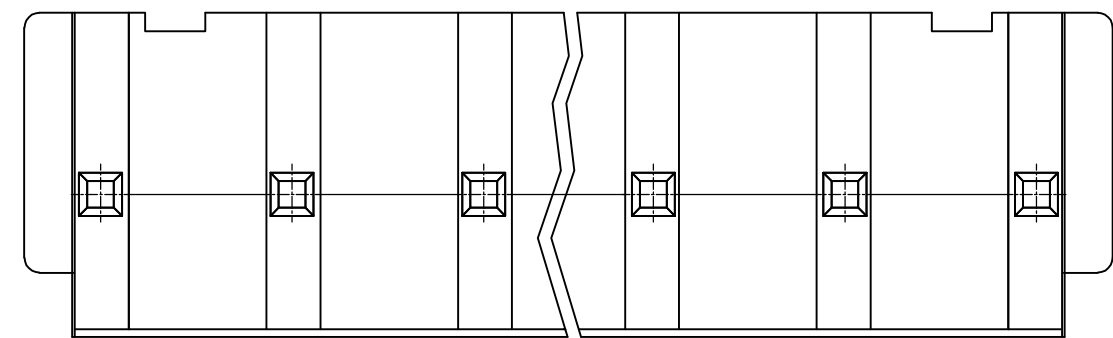
LOC		DIST		REVISIONS			
P	LTR	DESCRIPTION		DATE	DWN	APVD	
GP	00	A2	REVISED PER ECR-15-008260		03JUN2015	O.C	D.Z



RECOMMENDED PC BOARD LAYOUT



- 1. HOUSING MATERIAL: NYLON 66, UL94V-0, NATURAL.
- 2. CONTACT MATERIAL: COPPER ALLOY
- 3. CONTACT PLATING: 0.003[.000120] MIN TIN OVER 0.001[.000039] MIN NICKEL



12	57.22 [2.254]	59.84 [2.357]	55.88 [2.200]	1-1744037-2
11	52.14 [2.054]	54.76 [2.157]	50.8 [2.000]	1-1744037-1
10	47.06 [1.854]	49.68 [1.957]	45.72 [1.800]	1-1744037-0
9	41.98 [1.654]	44.6 [1.757]	40.64 [1.600]	1744037-9
8	36.9 [1.453]	39.52 [1.557]	35.56 [1.400]	1744037-8
7	31.82 [1.253]	34.44 [1.356]	30.48 [1.200]	1744037-7
6	26.74 [1.053]	29.36 [1.156]	25.4 [1.000]	1744037-6
5	21.66 [.853]	24.28 [.956]	20.32 [.800]	1744037-5
4	16.58 [.653]	19.2 [.756]	15.24 [.600]	1744037-4
3	11.5 [.453]	14.12 [.556]	10.16 [.400]	1744037-3
2	6.42 [.253]	9.04 [.356]	5.08 [.200]	1744037-2
NO OF POSITIONS	DIM C ±0.2 [.008]	DIM B ±0.3 [.012]	DIM A ±0.3 [.012]	PART NUMBER

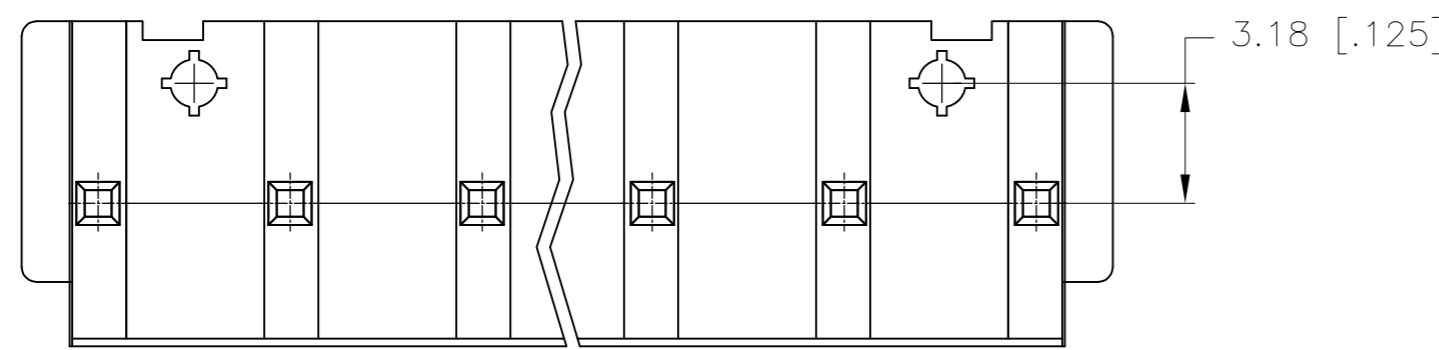
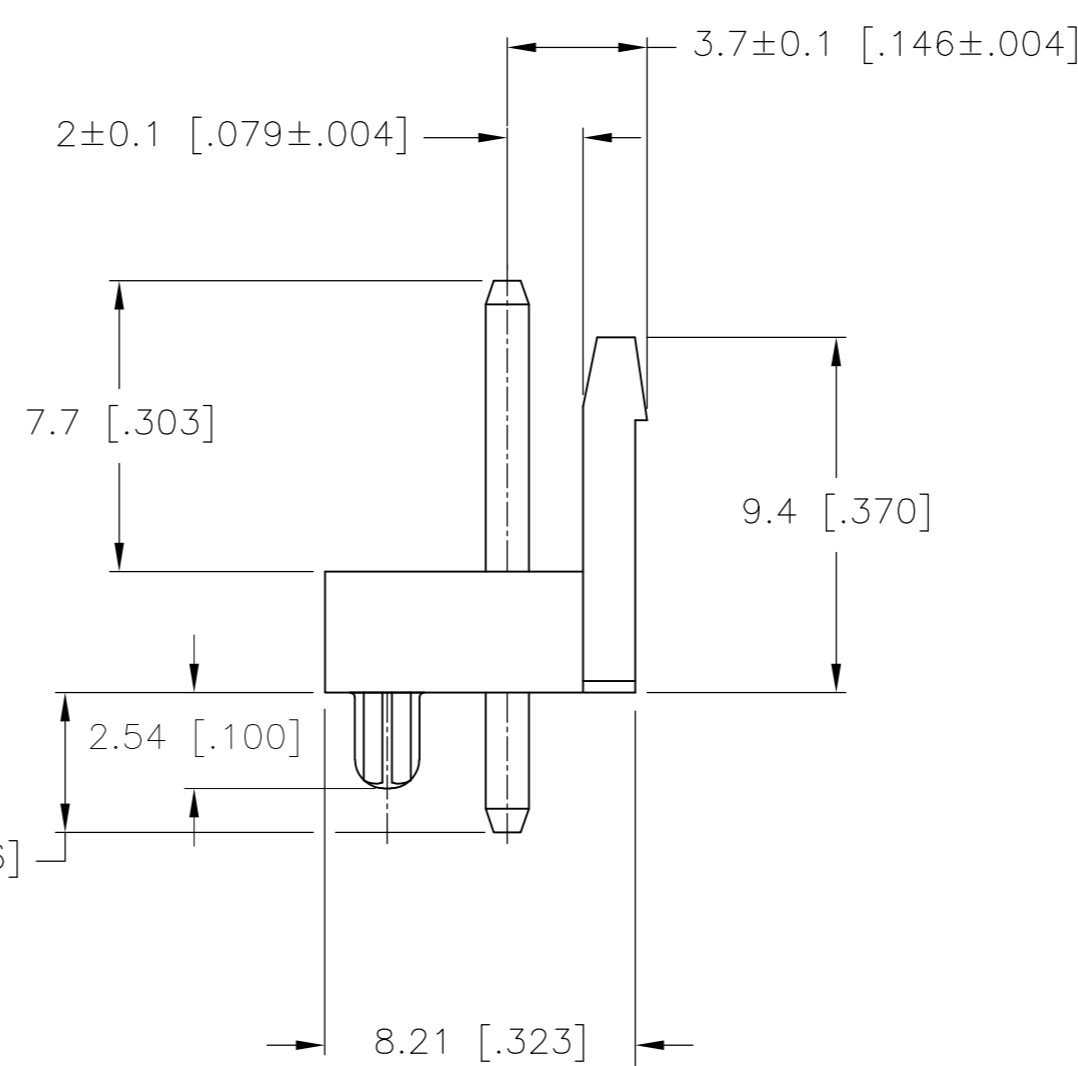
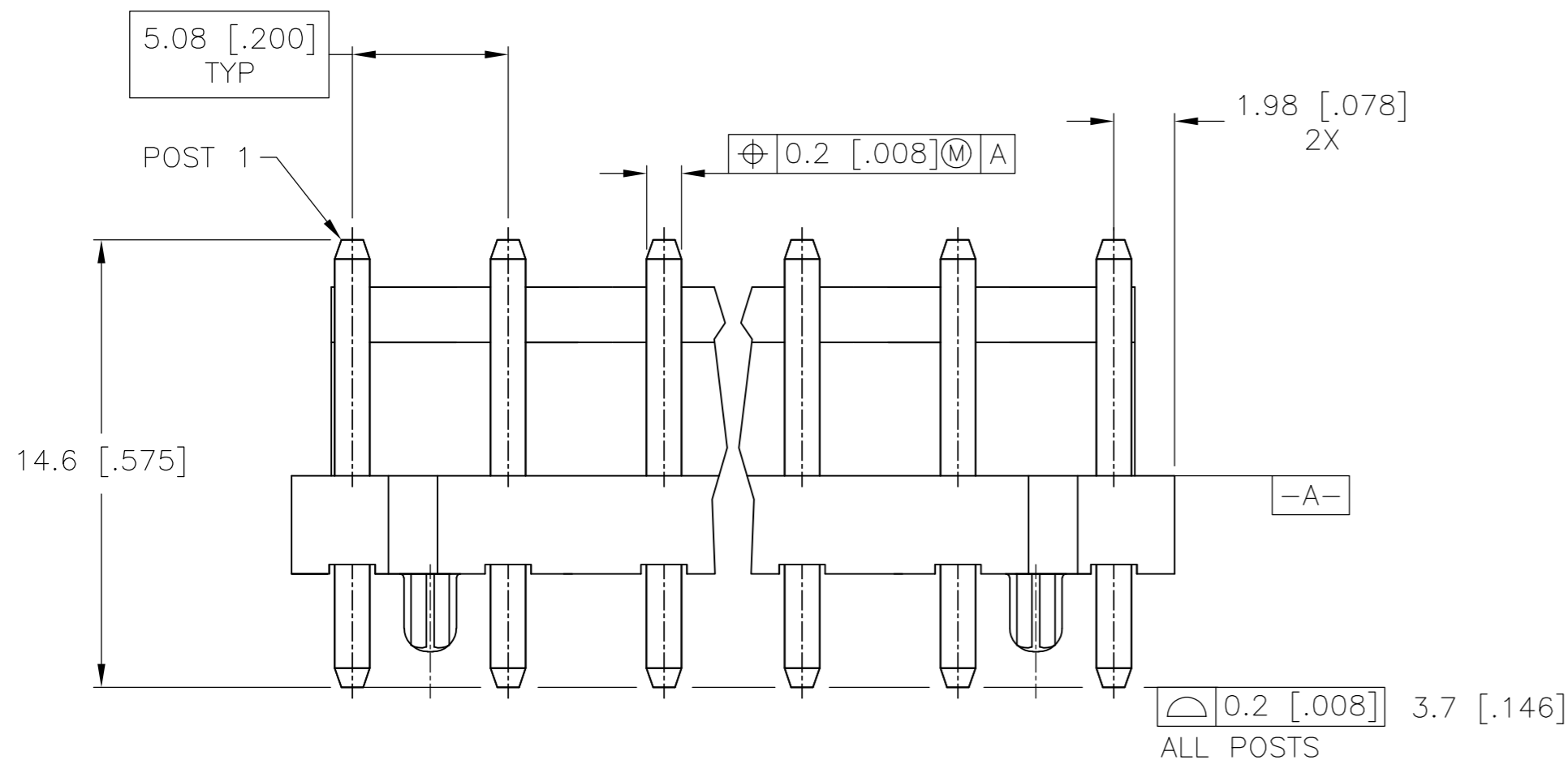
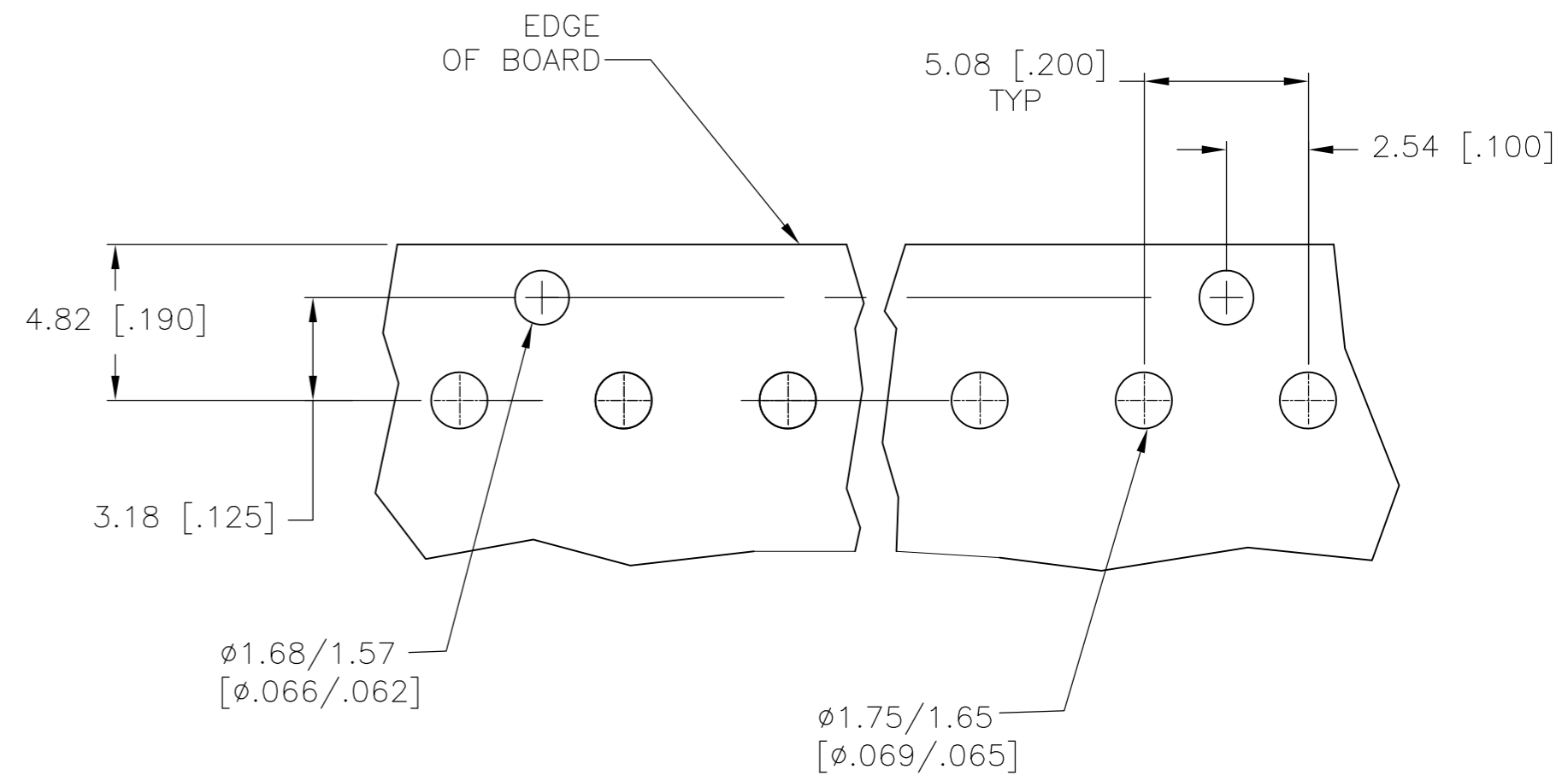
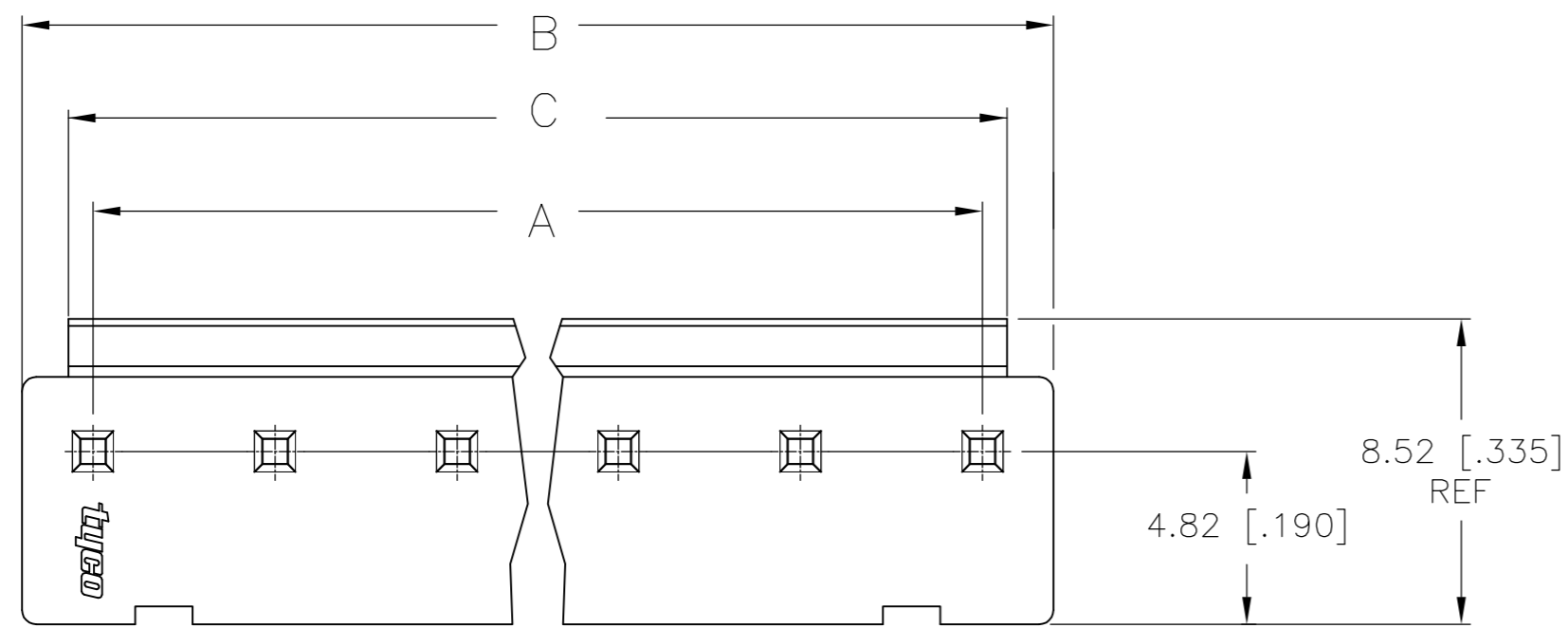
THIS DRAWING IS A CONTROLLED DOCUMENT.

DIMENSIONS: mm [INCHES]	TOLERANCES UNLESS OTHERWISE SPECIFIED: 0 PLC ± - 1 PLC ± 0.25 [.010] 2 PLC ± 0.15 [.006] 3 PLC ± - 4 PLC ± - ANGLES ± - FINISH	DWN S. HOOVER 01-APR-2004 CHK J. ELLIS 01-APR-2004 APVD J. ELLIS 01-APR-2004 PRODUCT SPEC APPLICATION SPEC WEIGHT CUSTOMER DRAWING	NAME TE Connectivity HEADER ASSEMBLY-ECONOMY POWER VERTICAL, .200 CENTERLINE SIZE A2 CAGE CODE 00779 DRAWING NO C=1744037 RESTRICTED TO - SCALE N/A SHEET 1 of 2 REV A2
----------------------------	---	--	---

MATERIAL SEE NOTES

THIS DRAWING IS UNPUBLISHED. RELEASED FOR PUBLICATION  
 © COPYRIGHT By - ALL RIGHTS RESERVED.

LOC	DIST	REVISIONS					
GP	00	P	LTR	DESCRIPTION	DATE	DWN	APVD
		-	-	SEE SHEET 1	-	-	-



RECOMMENDED PC BOARD LAYOUT

6	26.74 [1.053]	29.36 [1.156]	25.4 [1.000]	3-1744037-6
NO OF POSITIONS	DIM C ± 0.2 [.008]	DIM B ± 0.3 [.012]	DIM A ± 0.3 [.012]	PART NUMBER

THIS DRAWING IS A CONTROLLED DOCUMENT.		DWN S. HOOVER 01-APR-2004		
DIMENSIONS: mm [INCHES]		CHK J. ELLIS 01-APR-2004		
TOLERANCES UNLESS OTHERWISE SPECIFIED:		APVD J. ELLIS 01-APR-2004	NAME	
0 PLC ± -		PRODUCT SPEC	HEADER ASSEMBLY-ECONOMY POWER VERTICAL, .200 CENTERLINE	
1 PLC ± 0.25 [.010]		APPLICATION SPEC	SIZE	RESTRICTED TO
2 PLC ± 0.15 [.006]		WEIGHT	A2	-
3 PLC ± -		CUSTOMER DRAWING	CAGE CODE 00779	DRAWING NO C=1744037
4 PLC ± -		SCALE N/A	SHEET 2 OF 2	REV A2
ANGLES ± -				
FINISH				
MATERIAL SEE NOTES				