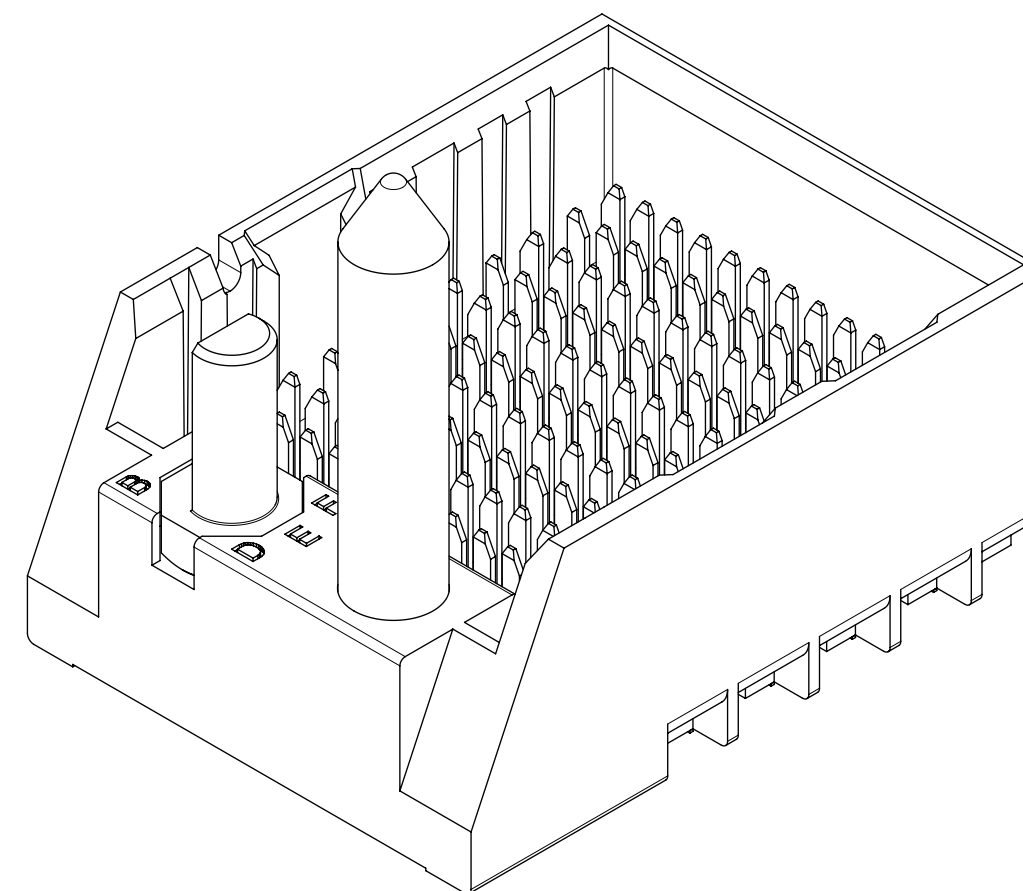


- NOTES:
1. MATERIALS: HOUSING - LIQUID CRYSTAL POLYMER (LCP)
GLASS-FILLED, UL94V-0
TERMINALS - HIGH PERFORMANCE COPPER ALLOY
 2. FINISH: 30μ INCH MIN GOLD IN CONTACT AREA.
SELECTIVE MATTE TIN ON PCB TAILS, NICKEL OVERALL.
 3. REFER TO MOLEX PRODUCT SPECIFICATION PS-170540-999
FOR PERFORMANCE SPECIFICATIONS AND ADDITIONAL PCB INFORMATION.
 4. REFER TO MOLEX PCB ROUTING GUIDE AS-76060-990 FOR ANTIPAD AND ROUTING RECOMMENDATIONS.
 5. CONNECTORS SUPPLIED WITH A 2-56 UNC-2A SCREW.
 6. "THESE DIMENSIONS REPRESENT THE AREA NEEDED TO ACCOMMODATE CONNECTOR INSERTION AND REPAIR ON THE PC BOARD. THIS IS REFERRED TO AS THE "CONNECTOR KEEP OUT ZONE" AND DOES NOT REPRESENT THE ACTUAL PERIMETER OF THE CONNECTOR. WHEN LAYING OUT THE PC BOARD FOR CONNECTORS STACKED TOGETHER, USE A 1.9mm PROGRESSION."
 7. THIS PART CONFORMS TO MOLEX COSMETIC SPEC PS-45499-002 CLASS B.
 8. PARTS PACKAGED PER PK-70873-757.
 9. SEE SHEETS 2 & 3 FOR PART NUMBERS AND BOARD RELATIONSHIPS.
 10. FOR GROUNDED GUIDE PINS USE Ø 3.56 +/-0.08 (PTH), Ø3.66 (DRILL) & Ø6.5 (PAD).
 11. KEEP OUT ZONE FOR BP HOUSING LENGTH INCLUDES AN ADDITIONAL 1.0MM TO ACCOMMODATE FOR SPACE REQUIRED BY DC FRONT HOUSING.
 12. MINIMUM CIRCUIT BOARD THICKNESS: 1.0mm

SYMBOLS		THIS DRAWING CONTAINS INFORMATION THAT IS PROPRIETARY TO MOLEX ELECTRONIC TECHNOLOGIES, LLC AND SHOULD NOT BE USED WITHOUT WRITTEN PERMISSION	
DIMENSION UNITS	SCALE	CURRENT REV DESC: MIGRATED TO NX	
mm	4:1		
GENERAL TOLERANCES (UNLESS SPECIFIED)			
ANGULAR TOL	± 0.5°		
4 PLACES	±		
3 PLACES	±		
2 PLACES	± 0.13		
1 PLACE	± 0.25		
0 PLACES	±		
DRAFT WHERE APPLICABLE MUST REMAIN WITHIN DIMENSIONS			
THIRD ANGLE PROJECTION			
DRAWING SERIES			
C-SIZE 170335			
EC NO: 172491			
DRWN: VK10		2018/02/16	
CHK'D: DVARVARA		2018/02/20	
APPR: TELO		2018/02/22	
INITIAL REVISION:			
DRWN: JBINGHAM		2012/11/13	
APPR: JLAURX		2012/11/16	
DOCUMENT NUMBER		DOC TYPE DOC PART REVISION	
SD-170335-0002		PSD 001 E1	
MATERIAL NUMBER		CUSTOMER	
SEE CHART		GENERAL MARKET	
SHEET NUMBER		1 OF 3	

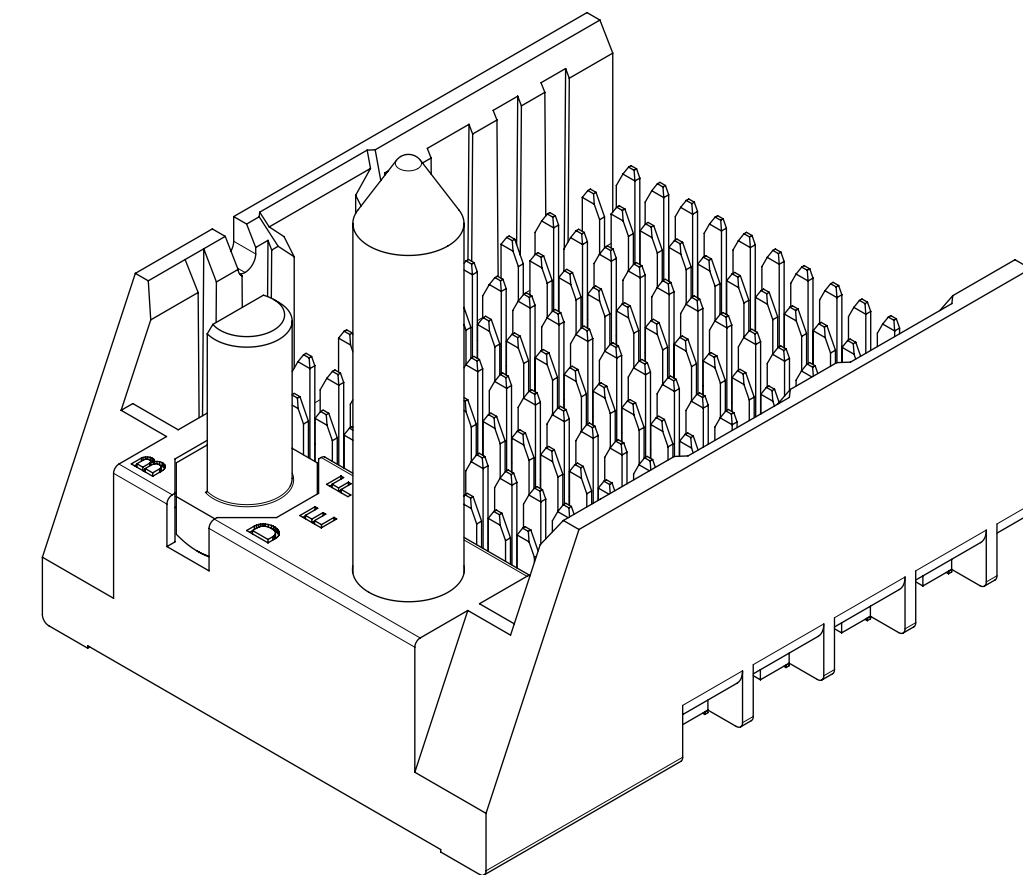
PART NUMBER CHART

MATERIAL NUMBER	# OF COLUMNS	# OF DIFF PAIR	DIM "A"	DIM "B"	GUIDE LEFT END WALL OPTION
170335-73**	6	24	19.3	9.50	
170335-78**	8	32	23.1	13.30	
170335-71**	10	40	26.9	17.10	
170335-72**	12	48	30.7	20.90	
170335-74**	14	56	34.5	24.70	
170335-76**	16	64	38.3	28.50	



GUIDE LEFT
END WALL
OPTION

MATERIAL NUMBER	# OF COLUMNS	# OF DIFF PAIR	DIM "A"	DIM "B"	GUIDE LEFT OPEN WALL OPTION
170335-33**	6	24	17.9	9.50	
170335-38**	8	32	21.7	13.30	
170335-31**	10	40	25.5	17.10	
170335-32**	12	48	29.3	20.90	
170335-34**	14	56	33.1	24.70	
170335-36**	16	64	36.9	28.50	



GUIDE LEFT
OPEN WALL
OPTION

PART NUMBER LOGIC 170335-****

MODULE TYPE
3 = GUIDE LEFT, TIN
7 = GUIDE LEFT END WALL, TIN

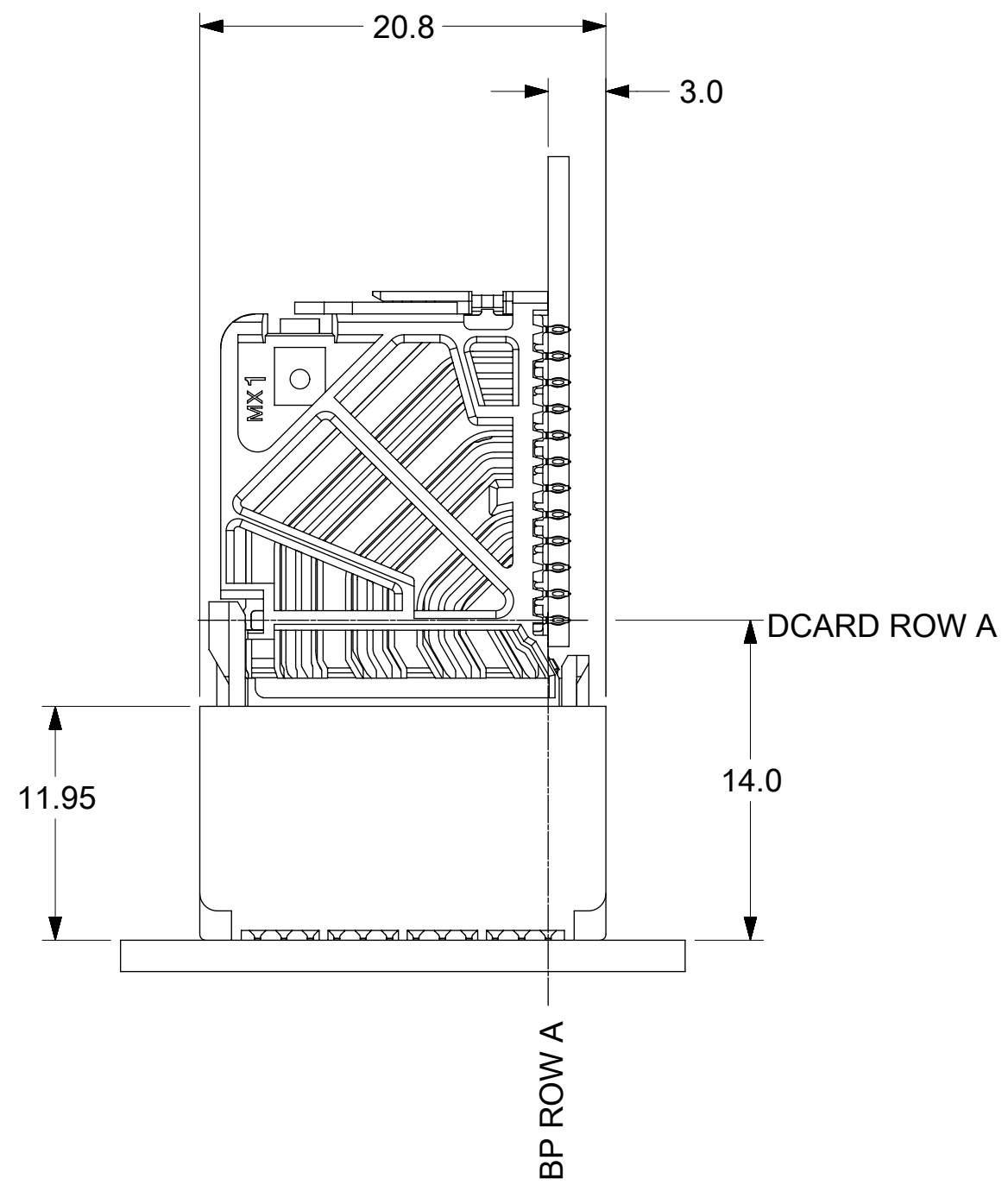
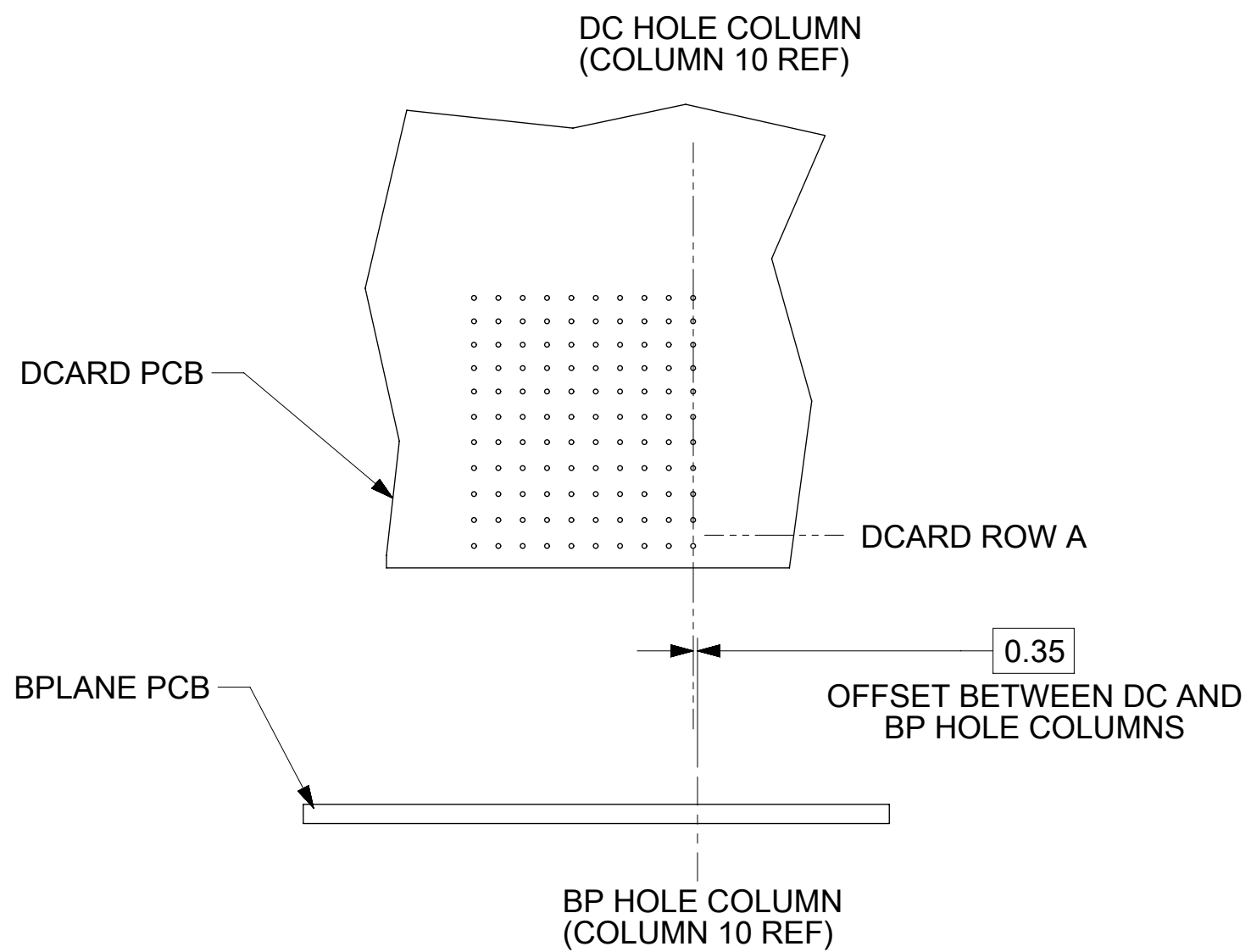
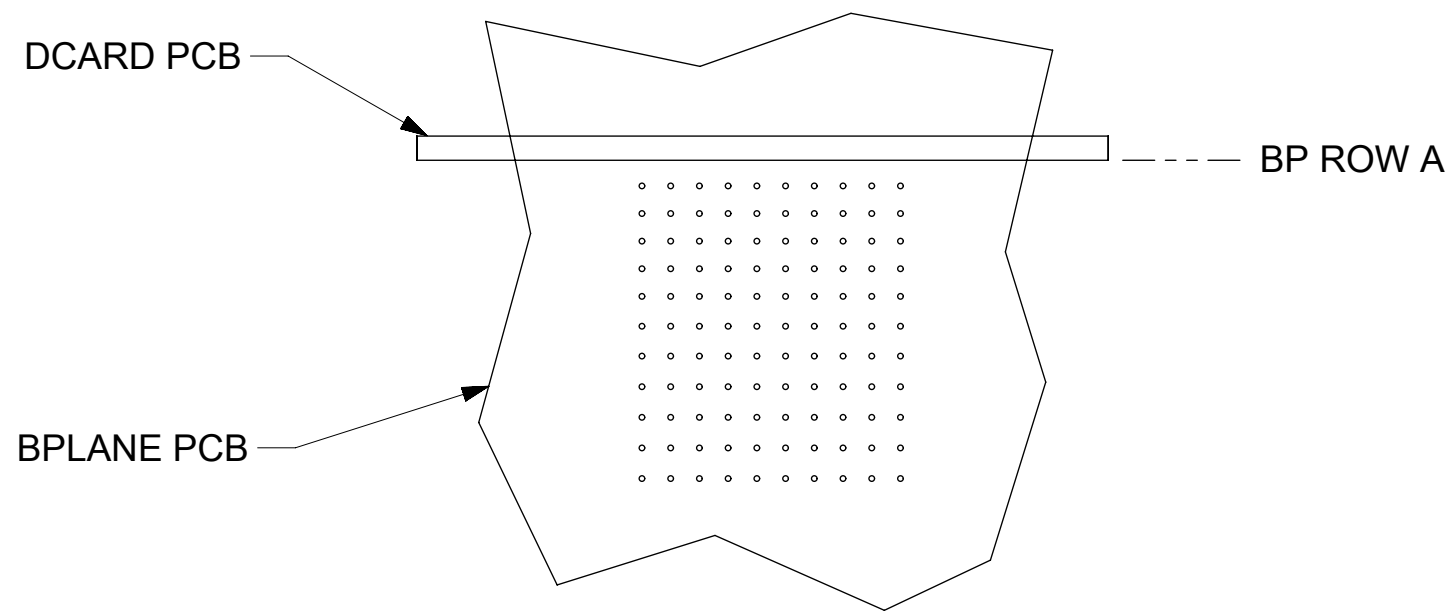
OF COLUMNS
1 = 10 COL
2 = 12 COL
3 = 6 COL
4 = 14 COL
6 = 16 COL
8 = 8 COL

PIN LENGTH (P)
3 = 4.50 (SHORT COMPLIANT, 0.46±0.05 PTH)
4 = 4.90 (SHORT COMPLIANT, 0.46±0.05 PTH)
5 = 5.50 (SHORT COMPLIANT, 0.46±0.05 PTH)
6 = 4.50 (MICRO COMPLIANT, 0.39±0.05 PTH)
7 = 4.90 (MICRO COMPLIANT, 0.39±0.05 PTH)
8 = 5.50 (MICRO COMPLIANT, 0.39±0.05 PTH)

KEY ORIENTATION
0 = NO KEY
1 = A
2 = B
3 = C
4 = D
5 = E
6 = F
7 = G
8 = H

THIS DRAWING CONTAINS INFORMATION THAT IS PROPRIETARY TO MOLEX ELECTRONIC TECHNOLOGIES, LLC AND SHOULD NOT BE USED WITHOUT WRITTEN PERMISSION									
SYMBOLS	DIMENSION UNITS	SCALE	CURRENT REV DESC: MIGRATED TO NX						
▽ = 0	mm	4:1	molex IMPACT 4-PAIR 85-OHM LEFT GUIDED BACKPLANE SALES ASSEMBLY DRAWING PRODUCT CUSTOMER DRAWING						
▽ = 0	GENERAL TOLERANCES (UNLESS SPECIFIED)								
▽ = 0	ANGULAR TOL ± 0.5°		EC NO: 172491 DRWN: VK10 2018/02/16 CHK'D: DVARVARA 2018/02/20 APPR: TELO 2018/02/22						
▽ = 0	4 PLACES ±		INITIAL REVISION: DRWN: JBINGHAM 2012/11/13 APPR: JLAURX 2012/11/16						
▽ = 0	3 PLACES ±								
▽ = 0	2 PLACES ± 0.13		DOCUMENT NUMBER: SD-170335-0002 DOC TYPE: PSD DOC PART: 001 REVISION: E1						
▽ = 0	1 PLACE ± 0.25		MATERIAL NUMBER: SEE CHART CUSTOMER: GENERAL MARKET SHEET NUMBER: 2 OF 3						
▽ = 0	0 PLACES ±		DRAFT WHERE APPLICABLE MUST REMAIN WITHIN DIMENSIONS THIRD ANGLE PROJECTION DRAWING: C-SIZE SERIES: 170335						

IMPACT 4 PAIR
BOARD RELATIONSHIPS



THIS DRAWING CONTAINS INFORMATION THAT IS PROPRIETARY TO MOLEX ELECTRONIC TECHNOLOGIES, LLC AND SHOULD NOT BE USED WITHOUT WRITTEN PERMISSION											
SYMBOLS		DIMENSION UNITS		SCALE		CURRENT REV DESC: MIGRATED TO NX					
▽ = 0		mm		2:1		molex IMPACT 4-PAIR 85-OHM LEFT GUIDED BACKPLANE SALES ASSEMBLY DRAWING PRODUCT CUSTOMER DRAWING					
▽ = 0		GENERAL TOLERANCES (UNLESS SPECIFIED)									
▽ = 0		ANGULAR TOL ± 0.5°									
▽ = 0		4 PLACES ±									
▽ = 0		3 PLACES ±									
▽ = 0		2 PLACES ± 0.13				EC NO: 172491 DRWN: VK10 2018/02/16 CHK'D: DVARVARA 2018/02/20 APPR: TELO 2018/02/22					
▽ = 0		1 PLACE ± 0.25				INITIAL REVISION: DRWN: JBINGHAM 2012/11/13 APPR: JLAURX 2012/11/16					
▽ = 0		0 PLACES ±				DRAFT WHERE APPLICABLE MUST REMAIN WITHIN DIMENSIONS		THIRD ANGLE PROJECTION 		DRAWING SERIES C-SIZE 170335	
DOCUMENT STATUS		P1		RELEASE DATE		2018/02/22		16:21:48			
12		11		10		9		8			
7		6		5		4		3			
2		1									
SD-170335-0002		PSD		001		E1		3 OF 3			


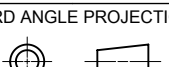
MATERIAL NUMBER	# OF COLUMNS	# OF DIFF PAIR	DIM "A" MAX	DIM "B"	PTH ϕ
170340-3*06	6	24	19.00	9.50	0.46 ± 0.05
170340-3*08	8	32	22.80	13.30	
170340-3*10	10	40	26.60	17.10	
170340-3*12	12	48	30.40	20.90	
170340-3*14	14	56	34.20	24.70	
170340-3*16	16	64	38.00	28.50	
170340-3*36	6	24	19.00	9.50	0.39 ± 0.05
170340-3*38	8	32	22.80	13.30	
170340-3*20	10	40	26.60	17.10	
170340-3*22	12	48	30.40	20.90	
170340-3*24	14	56	34.20	24.70	
170340-3*26	16	64	38.00	28.50	

170340-****

MODULE AND TAIL PLATING TYPE
3 = LEFT GUIDED LEAD-FREE

POLARIZATION KEY ORIENTATION
0 = NO KEY
1 = A 5 = E
2 = B 6 = F
3 = C 7 = G
4 = D 8 = H

OF COLUMNS
06 = 6 COL 0.46 PTH
08 = 8 COL 0.46 PTH
10 = 10 COL 0.46 PTH
12 = 12 COL 0.46 PTH
14 = 14 COL 0.46 PTH
16 = 16 COL 0.46 PTH
20 = 10 COL 0.39 PTH
22 = 12 COL 0.39 PTH
24 = 14 COL 0.39 PTH
26 = 16 COL 0.39 PTH
36 = 6 COL 0.39 PTH
38 = 8 COL 0.39 PTH

THIS DRAWING CONTAINS INFORMATION THAT IS PROPRIETARY TO MOLEX ELECTRONIC TECHNOLOGIES, LLC AND SHOULD NOT BE USED WITHOUT WRITTEN PERMISSION									
DIMENSION UNITS		SCALE		CURRENT REV DESC: MIGRATED TO NX					
mm		NTS							
GENERAL TOLERANCES (UNLESS SPECIFIED)				EC NO: 612222				IMPACT 4-PAIR 85-OHM DAUGHTERCARD SIGNAL GUIDE LEFT SALES DRAWING	
ANGULAR TOL $\pm 0.5^\circ$				DRWN: AAPPARAOTHAK 2018/11/08					
4 PLACES \pm				CHK'D: TMARRI 2019/02/19					
3 PLACES \pm				APPR: BOKOK 2019/02/20				PRODUCT CUSTOMER DRAWING	
2 PLACES ± 0.13				INITIAL REVISION:					
1 PLACE ± 0.25				DRWN: TELO 2010/05/12				DOCUMENT NUMBER	
0 PLACES \pm				APPR: TELO 2011/01/25				SD-170340-0002	
DRAFT WHERE APPLICABLE MUST REMAIN WITHIN DIMENSIONS		THIRD ANGLE PROJECTION		DRAWING		SERIES		MATERIAL NUMBER	
				C-SIZE		170340		SEE CHART	
								CUSTOMER	
								GENERAL MARKET	
								SHEET NUMBER	
								2 OF 2	

DOCUMENT STATUS	P1	RELEASE DATE	2019/02/20	10:38:01
-----------------	----	--------------	------------	----------