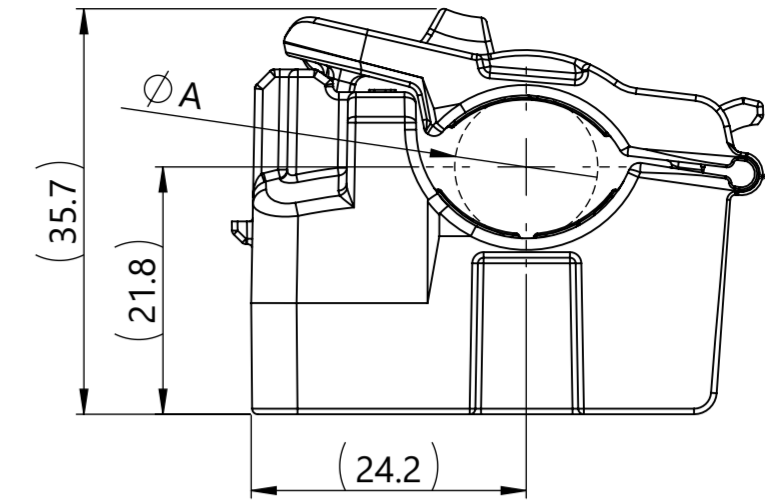
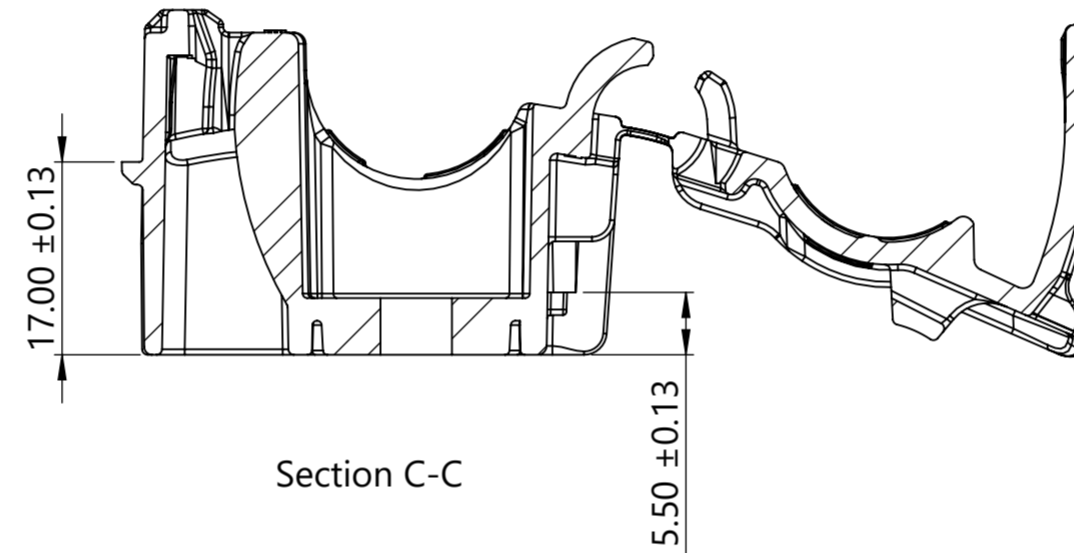
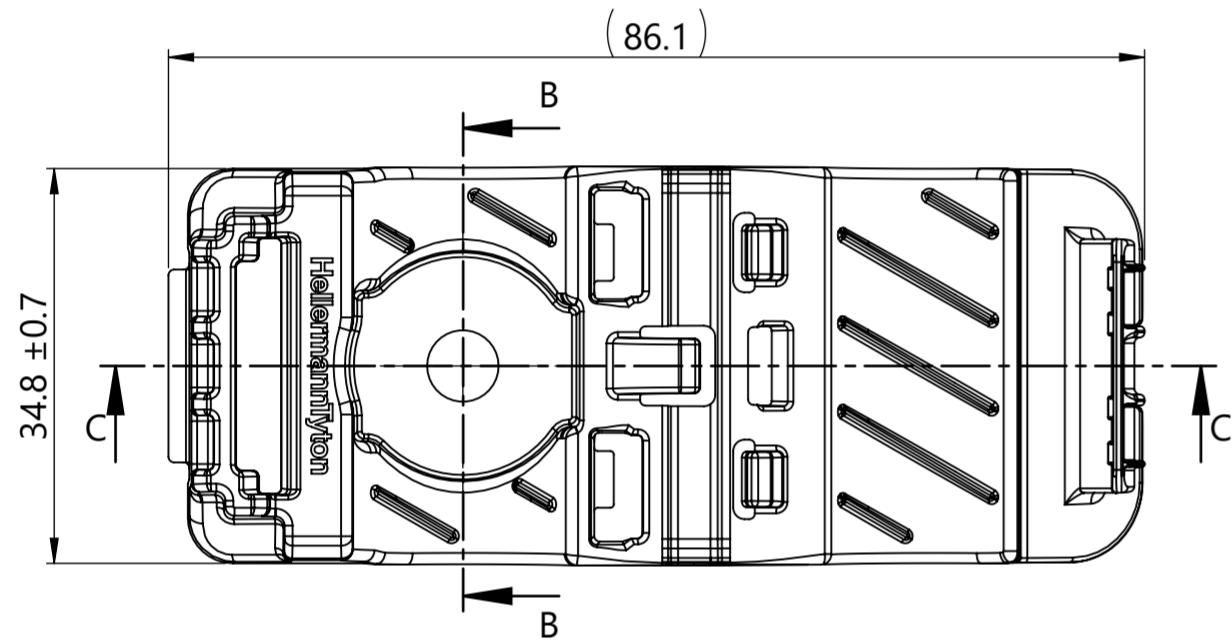


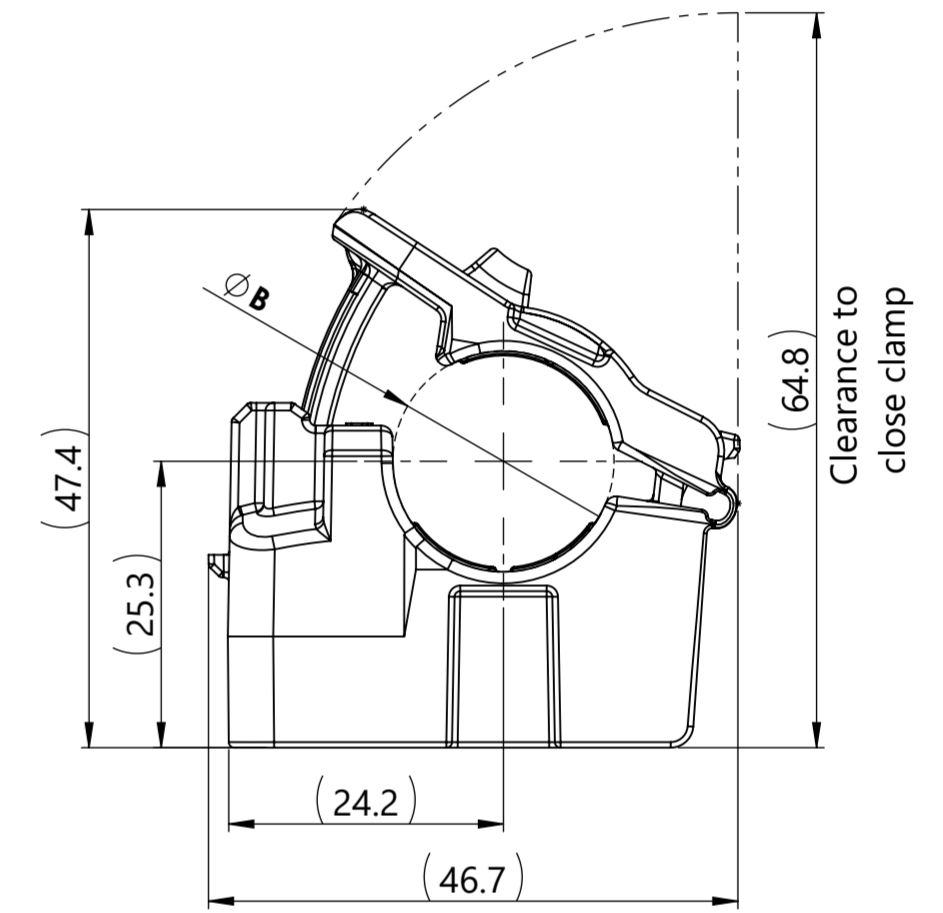
Isometric View  
Product shipped in clamp open position



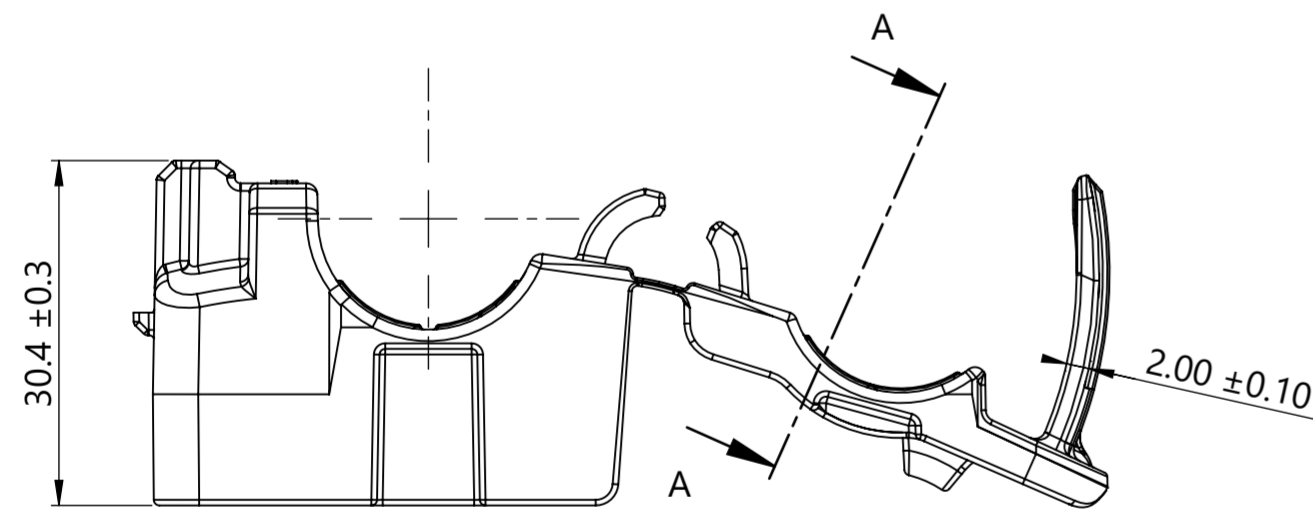
**Minimum Bundle Diameter**



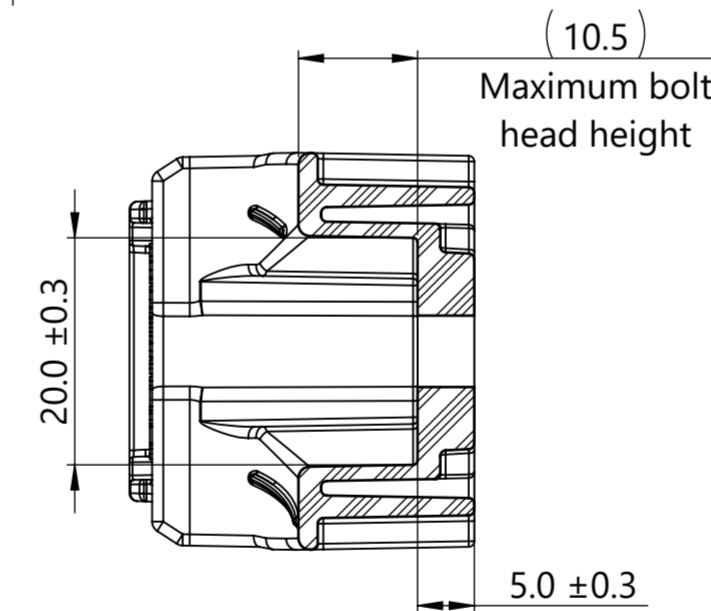
Section C-C



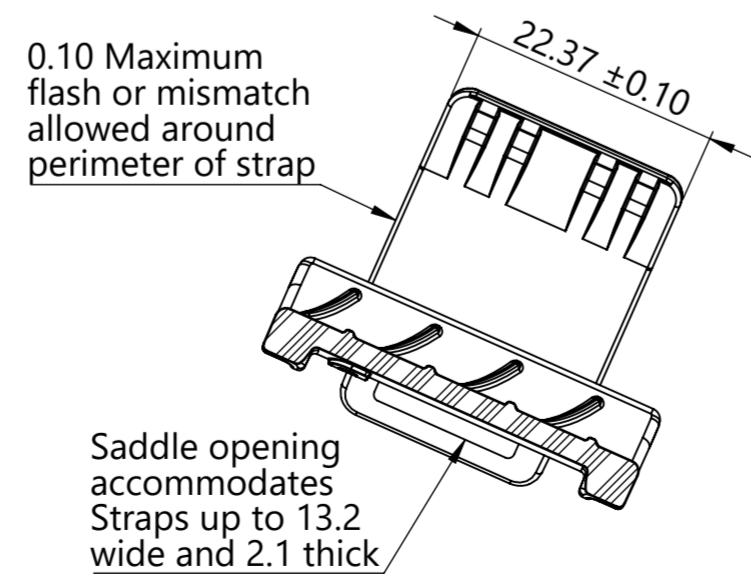
**Maximum Bundle Diameter**



Section A-A



Section B-B



0.10 Maximum flash or mismatch allowed around perimeter of strap

Saddle opening accommodates Straps up to 13.2 wide and 2.1 thick

**Performance requirements:**  
Dry as molded with ≤ 0.5% moisture content:

- ITS-0001 Ratchet Clamp Split Mandrel Test: 445 newtons [100 lbf] minimum at a nominal bundle diameter of 15.88 [0.625in]

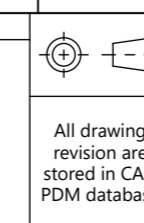
**Notes:**

- Material: See chart
- Material color: See chart
- Maximum percent regrind permissible: 25%
- Maximum allowable flash to be: 0.50 "Unless otherwise noted"
- Maximum allowable mismatch to be: 0.15 "Unless otherwise noted"

Bundle Types	A Minimum Diameter	B Maximum Diameter
Soft	12.7 ± 0.3	19.5 ± 0.3
Hard	11.9 ± 0.3	18.7 ± 0.3

Global Part Number	Global Part Description	Mounting Hole Size	Torque Specification	φC	Type Number	Material	Color
21-0226	CMRCBLM6-PA66HIRHSUV-BK	M6	13 N-m [115.06 lb-in]	6.3 ± 0.13	CMRCBLM6	PA66HIRHSUV	Black
21-0229	CMRCBLM8-PA66HIRHSUV-BK	M8	31 N-m [274.37 lb-in]	8.3 ± 0.13	CMRCBLM8	PA66HIRHSUV	Black

Revision level			Revision Record		
Drawing	State	Part	ECN	Date	Part
00.0	Design Release	-	016827		
Changed	Date (YYYY/MM/DD)				
Spangler	2022/01/18				
Approved	Date (YYYY/MM/DD)				
Toll	2022/01/18				



All drawing revision are stored in CAD PDM database

Units: mm  
**HellermannTyton**  
www.HellermannTyton.com

Drawn: Spangler, Date: 2021/04/09  
Approved: Toll, Date: 2021/04/09  
Title: CMRCBLM6 Center Mount RCB Ratchet P-Clamp, Size B, Clamp Range 12.7 to 19.5, Low Torque  
Scale: 3:2  
Global Project Number: 21-0226  
Drawing-No: 21-0226-002-CSU  
Format: A2  
Sheet: 1/1