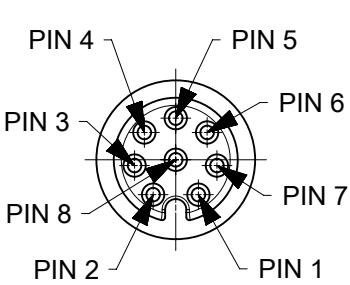
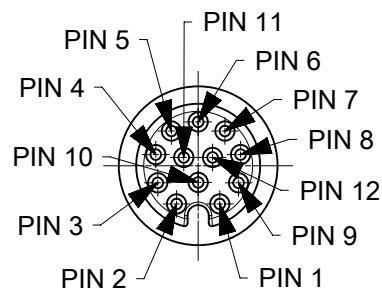


**8 POLE  
M12 FEMALE**



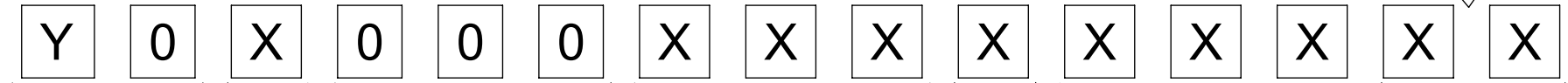
PIN	WIRE COLOR	PIN	WIRE COLOR
1	WH	5	GY
2	BN	6	PK
3	GN	7	BU
4	YE	8	RD

**12 POLE  
M12 FEMALE**



PIN	WIRE COLOR	PIN	WIRE COLOR
1	WH	7	BU
2	BN	8	RD
3	GN	9	BK
4	YE	10	VT
5	GY	11	GY/PK
6	PK	12	RD/BU

**PART No MATRIX**



Y0= ULTRA LOCK 2.0  
SINGLE ENDED

POLES:  
8 = 8 POLES  
C = 12 POLES

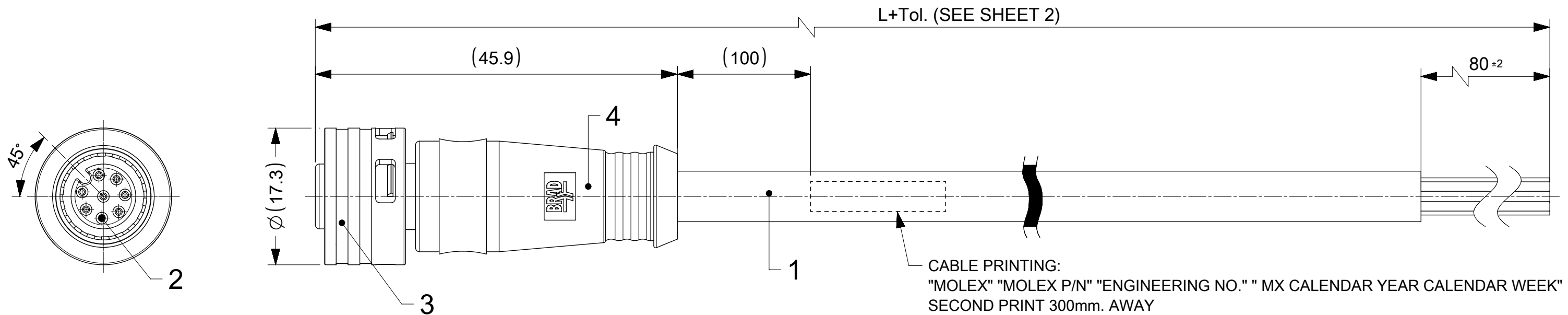
HEADER:  
000= FEMALE STR

CABLE:  
E02 - 8x0.25 PVC BLACK  
B41 - 8x0.25 WSOR BLACK  
H08 - 8x0.25 PUR-LS0H BLACK  
H45 - 12x0.14 PUR BLACK

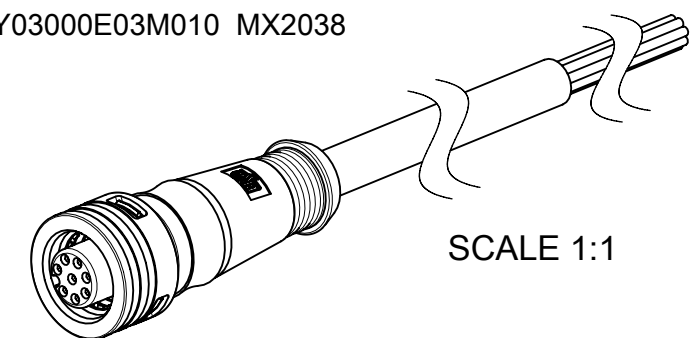
UNIT:  
M = METER  
F = FEET  
C = CENTIMETER  
T = 10M

LENGTH:  
EXAMPLE:  
010 = 1 m  
050 = 5 m  
100 = 10 m

OVERMOLD:  
BLANK = STANDARD BRAD:  
-YELLOW IN THE USA  
-BLACK IN EUROPE  
A = GREY  
E = RED  
G = BLACK  
Y = YELLOW  
H = STD. COLOUR WITH TWO  
I/D-TAG CARRIERS



- NOTES:
- PARTS ACC. TO PRODUCT SPECIFICATION 1204000001 PS P10 AND IN STYLE OF IEC-61076-2-010
  - BOM & PART LIST - SEE SHEET 2
  - RATED VOLTAGE :  
8, 12 CONTACTS: 30V AC OR DC  
RATED CURRENT:  
8 CONTACTS: 2A  
12 CONTACTS: 1.5A,  
DERATING HAS TO BE CONSIDERED  
OVERVOLTAGE CATEGORY: 3  
POLLUTION DEGREE: 3, ONLY IN MATED AND LOCKED CONDITION
  - PROTECTION CLASS: IP 67, ONLY IN MATED AND LOCKED CONDITION
  - TEMPERATURE RANGE:  
TEMPERATURE PLUG/SOCKET: -40 °C TO +85 °C  
TEMPERATURE CABLE: SEE CABLE LIST
  - MECHANICAL OPERATIONS: 100 CYCLES
  - MATES WITH ULTRA-LOCK M12 MALE RECEPTACLES
  - PACKAGING: THE CORDSETS ARE SINGLE PACKED IN PLASTIC BAGS AND DELIVERED IN CARTON BOXES
  - UL CSA FILE REGISTRATION PENDING



FUNCTIONAL SYMBOLS ▽A = 0 ▽E = 0 ▽V = 0	THIS DRAWING CONTAINS INFORMATION THAT IS PROPRIETARY TO MOLEX ELECTRONIC TECHNOLOGIES, LLC AND SHOULD NOT BE USED WITHOUT WRITTEN PERMISSION		CURRENT REV DESC: NOTES AND CABLE LIST UPDATED		 CSE U12 8-12P AC FE STR XM SE UNSH BK PRODUCT CUSTOMER DRAWING				
	mm	2:1	EC NO: 736602						
	GENERAL TOLERANCES (UNLESS SPECIFIED)		DRWN: RSCHIEBER	2023/01/23					
	ANGULAR TOL ± 1.0 °		CHK'D: RSILLER	2023/01/31					
DIVISIONAL SYMBOLS	4 PLACES	±	APPR: RSILLER	2023/01/31	DOCUMENT NUMBER <b>1204000100</b>				
	3 PLACES	±	INITIAL REVISION:						
	2 PLACES	± 0.05	DRWN: RSCHIEBER	2020/09/15					
	1 PLACE	± 0.3	APPR: RSILLER	2020/09/29					
0 PLACES	± 0.5	DRAFT WHERE APPLICABLE MUST REMAIN WITHIN DIMENSIONS		THIRD ANGLE PROJECTION	DRAWING	SERIES	MATERIAL NUMBER	CUSTOMER	SHEET NUMBER
					A3-SIZE	120400	SEE SHEET 2	GENERAL MARKET	1 OF 2

