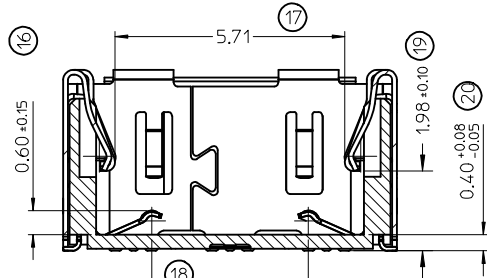
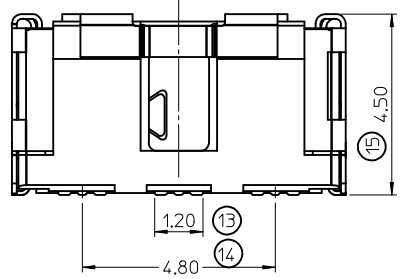
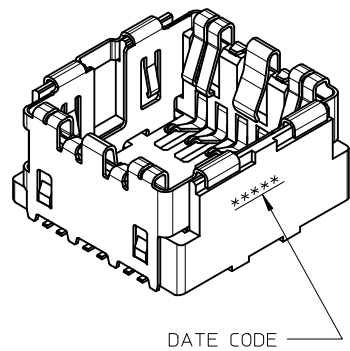
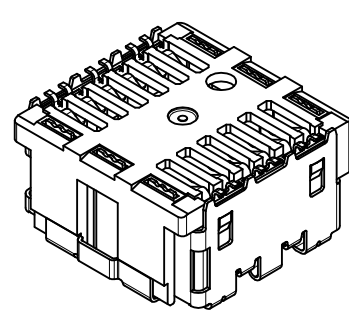
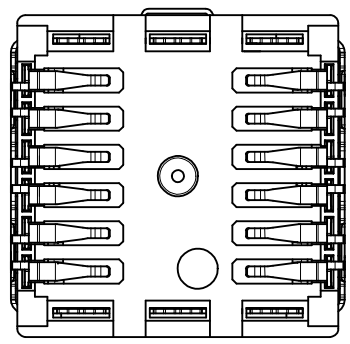


SECTION Z-Z



SECTION Y-Y



NOTES:

- MATERIALS  
HOUSING: HIGH TEMPERATURE THERMAL PLASTIC, BLACK,UL94 V-0  
TERMINAL: COPPER ALLOY,THICKNESS:0.10MM  
SHELL: COPPER ALLOY, THICKNESS:0.12MM
- FINISH  
TERMINAL: 2 MICROMETER MIN NICKEL UNDERPLATING OVERALL,  
GOLD PLATING 0.3 MICROMETER MIN ON CONTACT AREA,  
GOLD FLASH PLATING ON SOLDER AREA.  
SHELL:2 MICROMETER MIN NICKEL UNDERPLATING OVERALL,  
2.5 MICROMETER MIN MATTE TIN PLATING OVERALL
- PRODUCT SPECIFICATION: PS-105167-001
- PACKAGE DRAWING: PK-105167-001
- COPLANARITY:0.08mm MAX. (21)
- PAKAGING: TAPE&REEL

RELEASED EC NO: SH2013-0176 DRWN:WJHUO 2012/12/10 CHKD: APPR:AYIN 2013/01/08	QUALITY SYMBOLS	GENERAL TOLERANCES (UNLESS SPECIFIED)		DIMENSION STYLE MM ONLY		SCALE 8:1	DESIGN UNITS METRIC	THIRD ANGLE PROJECTION	
	$\nabla_A = 0$ $\nabla_C = 0$ $\nabla_P = 0$	4 PLACES ± --- ± --- 3 PLACES ± --- ± --- 2 PLACES ± 0.15 ± --- 1 PLACE ± 0.20 ± --- 0 PLACE ± --- ± ---	mm	INCH	DRAWN BY WJHUO	DATE 2012/12/10	TITLE 6.5X6.5 CAMERA SOCKET BOTTOM CONTACT TOP MOUNT		
		ANGULAR ± 3 °	DRAFT WHERE APPLICABLE MUST REMAIN WITHIN DIMENSIONS		APPROVED BY AYIN	DATE 2013/01/08	DOCUMENT NO. SD-105167-001		
	REV 2		SIZE A3	MATERIAL NO. 1051670001					

10 9 8 7 6 5 4 3 2 1

F

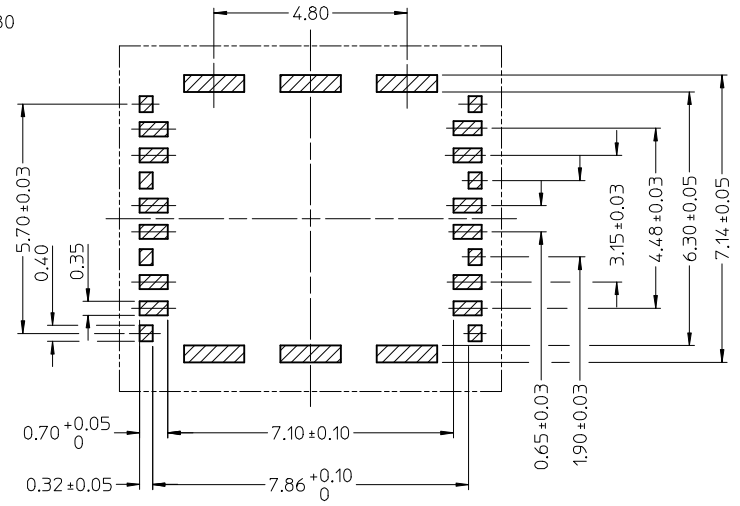
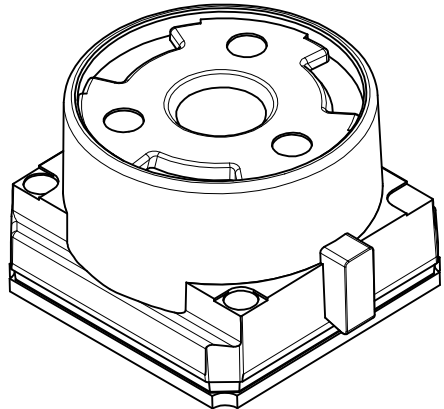
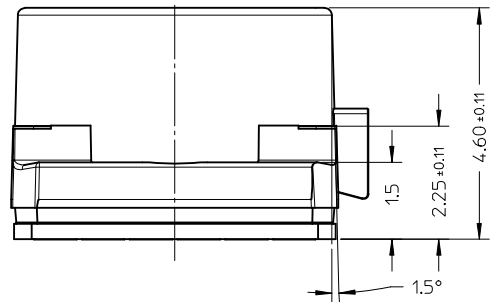
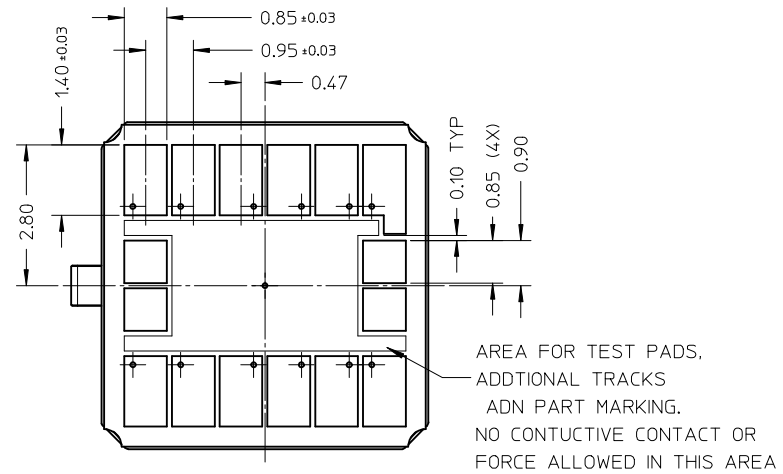
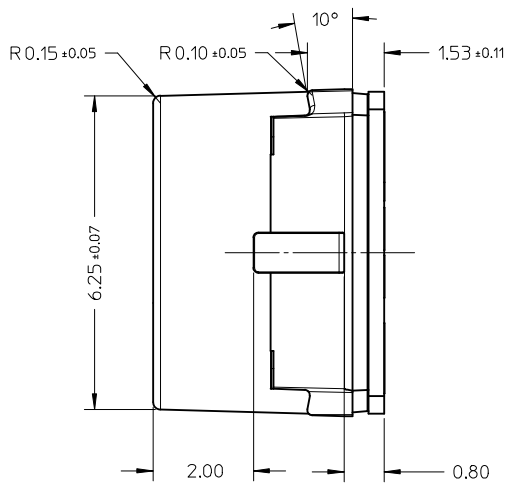
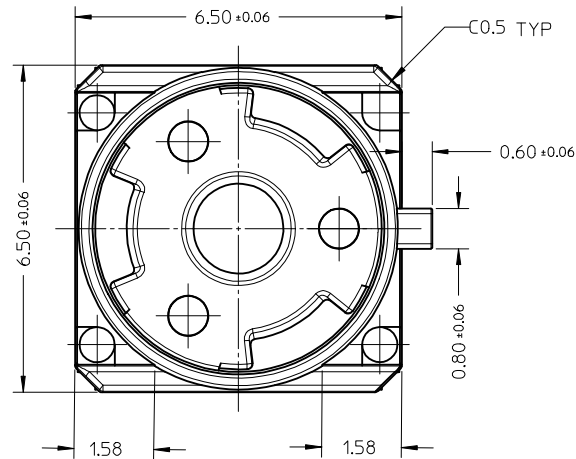
E

D

C

B

A



RECOMMEND PWB LAYOUT  
GENERAL TOLERANCE 0.05mm

RELEASED EC NO: SH2013-0176 DRWN: WJHUO 2012/12/10 CHKD: APPR: AYIN 2013/01/08 REV 2	QUALITY SYMBOLS F=0 F=0 F=0	GENERAL TOLERANCES (UNLESS SPECIFIED) mm INCH 4 PLACES ± --- ± --- 3 PLACES ± --- ± --- 2 PLACES ± 0.15 ± --- 1 PLACE ± 0.20 ± --- 0 PLACE ± --- ± --- ANGULAR ± 3° DRAFT WHERE APPLICABLE MUST REMAIN WITHIN DIMENSIONS	DIMENSION STYLE MM ONLY DRAWN BY: WJHUO CHECKED BY: APPROVED BY: AYIN MATERIAL NO. 9999999999 DATE: 2012/12/10 DATE: 2013/01/08	SCALE 10:1 DESIGN UNITS METRIC THIRD ANGLE PROJECTION	TITLE 6.5X6.5 CAMERA SOCKET BOTTOM CONTACT TOP MOUNT <b>molex</b> DOCUMENT NO. SD-105167-001 SHEET NO. 2 OF 2
	THIS DRAWING CONTAINS INFORMATION THAT IS PROPRIETARY TO MOLEX INCORPORATED AND SHOULD NOT BE USED WITHOUT WRITTEN PERMISSION				
	SIZE A3				
	REV 2				

9 8 7 6 5 4 3 2 1