

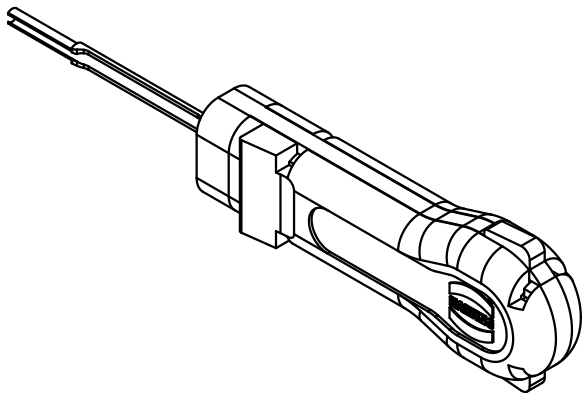
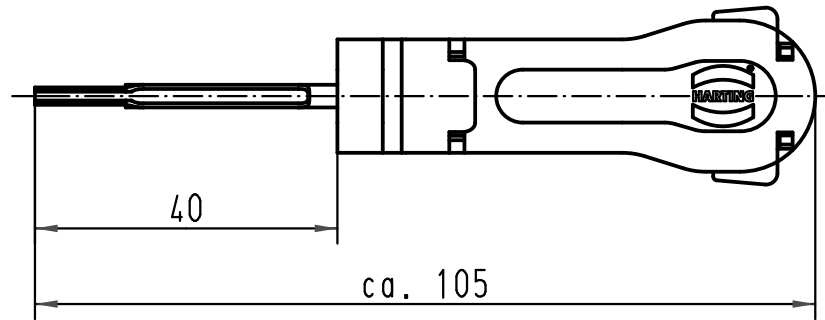
1 2 3 4 5 6



A

B

C

D



| | | | | | | |
|---|------|-------------------|--------------------------------|------|--|---|
|  All Dimensions in mm Original Size DIN A 4 | | Techn. Character. | | | Nicht tolerierte Masse/ Free size tolerances | |
| | | | Dat. | Name | Maßstab/ Scale 1:1 | Demontagewerkzeug <i>Removal tool</i> D-Sub Kontakte/ <i>D-Sub contacts</i> |
| | | Detail. | 10.07.07 | Bor | | |
| | | Insp. | | Be | | |
| | | Stand. | | | | |
| 413040 | | | HARTING Electric GmbH & Co. KG | | | TB 09 99 000 0368 |
| Mod. | Dat. | Name | D-32339 Espelkamp | | | |
|  | | | | | | Blatt/ page |
| Sub. | | | | | | / |