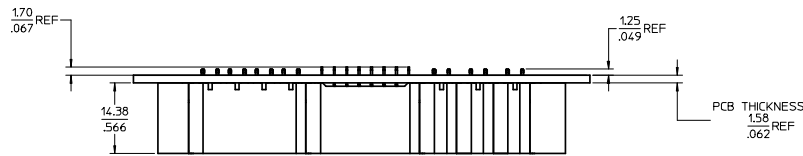


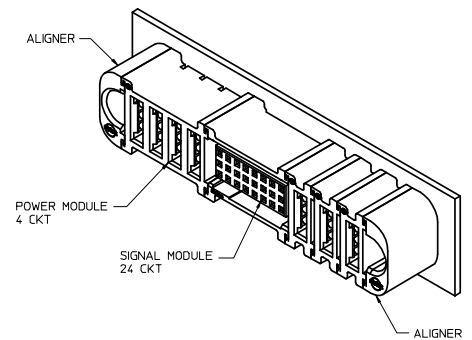
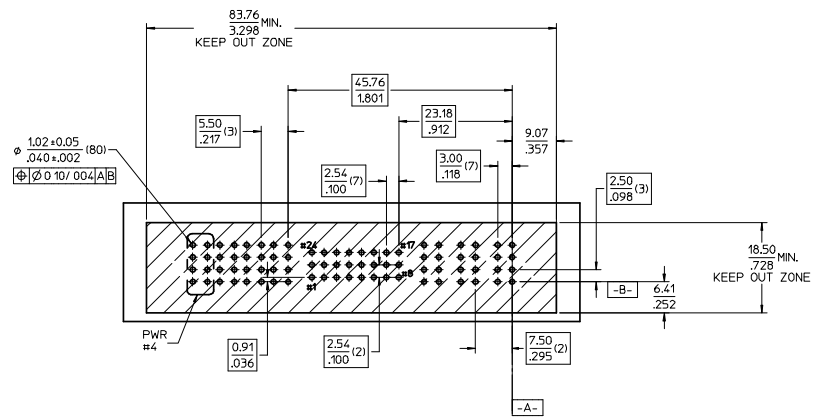
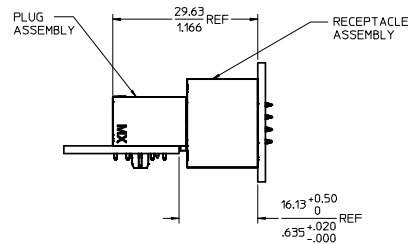
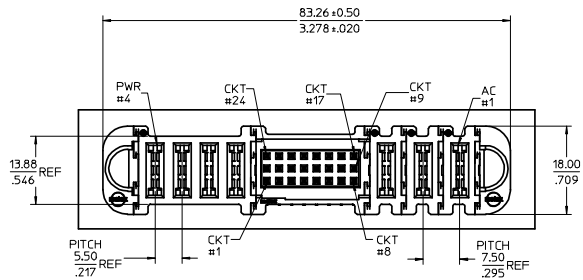
RECOMMENDED PCB LAYOUT AND KEEP-OUT ZONE



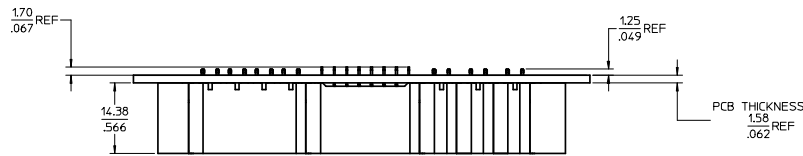
NOTES:

- MATERIAL:
 - HOUSINGS: HIGH TEMPERATURE PLASTIC, BLACK, UL 94V-0 (LCP OR EQUIVALENT)
 - TERMINALS: HIGH CONDUCTIVITY COPPER ALLOY.
 - PLATING: 0.000127/0.000050 NICKEL OVERALL WITH 0.00254/0.000100 SELECTIVE TIN ON SOLDER TAILS. AND 0.000762/0.000030 SELECTIVE GOLD ON CONTACT AREA.
- PACKAGING ASSEMBLIES TO BE TRAY PACKED PER PACKAGING SPEC PK-46562-XXX.
- INDIVIDUAL MODULES ARE RATED FOR VARIOUS VOLTAGE AND CURRENT RATINGS PER PS-46436-100.
- PC BOARD REQUIRES SOLDER THRU HOLES, SEE PS-46436-100 FOR DETAILS.
- PRODUCT TO MEET RoHS REQUIREMENTS.
- ASSEMBLY MATES WITH PLUG ASSEMBLY, P/N 46437-1020.

INITIAL RELEASE EC NO. UCP2008-1303 DRAWN: SCHAFER 2007/10/18 CHYK: 2007/11/19 APPR: PATEL 2008/01/10	QUALITY SYMBOLS	GENERAL TOLERANCES (UNLESS SPECIFIED)	DIMENSION STYLE	SCALE	DESIGN UNITS	THIRD ANGLE PROJECTION
		mm INCH	MM/IN	2:1	METRIC	
		4 PLACES ± --- ± ---	SCHAFFER 12-6-2007	TITLE		
		3 PLACES ± --- ± .005	CHECKED BY DATE	VERT RECP ASSY TENSO POWER FAMILY		
	2 PLACES ± 0.13 ± .010	KOSTIC 12-7-2007	MOLEX INCORPORATED			
	1 PLACE ± 0.25 ± ---	APPROVED BY DATE	MATERIAL NO. DOCUMENT NO.			
	ANGULAR ± 1/2°	PATEL 12-10-2007	46562-1020 SD-46562-120			
	DRAFT WHERE APPLICABLE MUST REMAIN WITHIN DIMENSIONS		SHEET NO. 1 OF 1			
			THIS DRAWING CONTAINS INFORMATION THAT IS PROPRIETARY TO MOLEX INCORPORATED AND SHOULD NOT BE USED WITHOUT WRITTEN PERMISSION			



RECOMMENDED PCB LAYOUT AND KEEP-OUT ZONE



NOTES:

- MATERIAL:
 - HOUSINGS: HIGH TEMPERATURE PLASTIC, BLACK, UL 94V-0 (LCP OR EQUIVALENT)
 - TERMINALS: HIGH CONDUCTIVITY COPPER ALLOY.
 - PLATING: 0.000127/0.000050 NICKEL OVERALL WITH 0.00254/0.000100 SELECTIVE TIN ON SOLDER TAILS. AND 0.000762/0.000030 SELECTIVE GOLD ON CONTACT AREA.
- PACKAGING ASSEMBLIES TO BE TRAY PACKED PER PACKAGING SPEC PK-46562-XXX.
- INDIVIDUAL MODULES ARE RATED FOR VARIOUS VOLTAGE AND CURRENT RATINGS PER PS-46436-100.
- PC BOARD REQUIRES SOLDER THRU HOLES, SEE PS-46436-100 FOR DETAILS.
- PRODUCT TO MEET RoHS REQUIREMENTS.
- ASSEMBLY MATES WITH PLUG ASSEMBLY, P/N 46437-1020.

INITIAL RELEASE EC NO. UCP2008-1303 DRAWN: SCHAFER 2007/10/18 CHYK: 2007/11/19 APPR: PATEL 2008/01/10	QUALITY SYMBOLS	GENERAL TOLERANCES (UNLESS SPECIFIED)	DIMENSION STYLE	SCALE	DESIGN UNITS	THIRD ANGLE PROJECTION
		mm INCH	MM/IN	2:1	METRIC	
		4 PLACES ± --- ± ---	SCHAFFER 12-6-2007	VERT RECP ASSY		
		3 PLACES ± --- ± .005	CHECKED BY DATE	TENSO POWER FAMILY		
	2 PLACES ± 0.13 ± .010	KOSTIC 12-7-2007	MOLEX INCORPORATED			
	1 PLACE ± 0.25 ± ---	APPROVED BY DATE	SD-46562-120			
	ANGULAR ± 1/2°	PATEL 12-10-2007	1 OF 1			
DRAFT WHERE APPLICABLE MUST REMAIN WITHIN DIMENSIONS	MATERIAL NO.	DOCUMENT NO.	THIS DRAWING CONTAINS INFORMATION THAT IS PROPRIETARY TO MOLEX INCORPORATED AND SHOULD NOT BE USED WITHOUT WRITTEN PERMISSION			
	46562-1020	SD-46562-120				