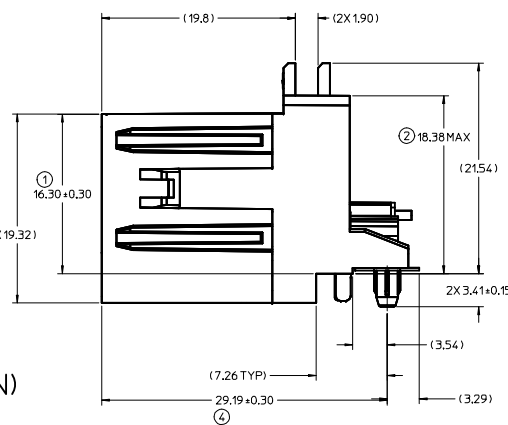
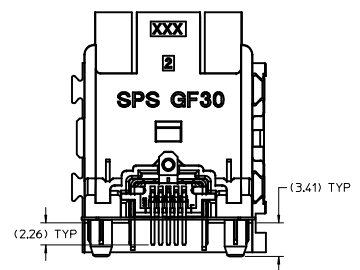


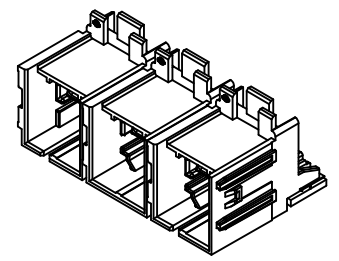
3-BAY HS STAC RIGHT ANGLE
HEADER ASSEMBLY (P/N: 34787-3004 SHOWN)



HS STAC



REAR VIEW OF HS STAC

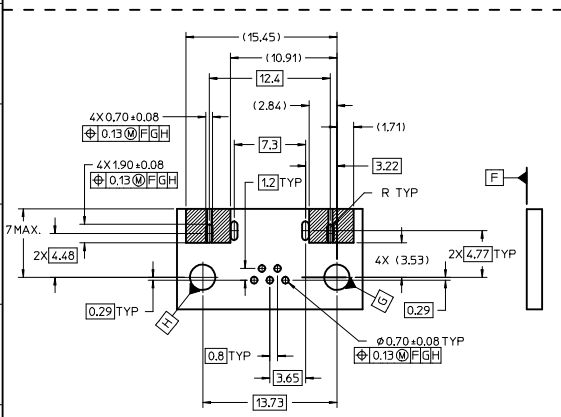


DIMENSIONAL CHART FOR MULTIBAY CONFIGURATION:

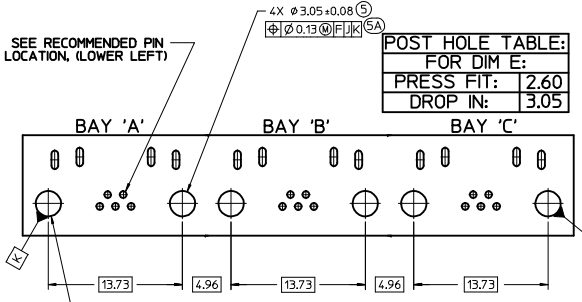
3 BAY PART NUMBER	BAY A			BAY B			BAY C		
	CKT	TYPE	POL	CKT	TYPE	POL	CKT	TYPE	POL
34787-3001	-	HS	E	-	HS	D	-	HS	A
34787-3003	-	HS	C	-	HS	F	-	HS	D
34787-3004	-	HS	D	-	HS	A	-	HS	E

NOTES: VALID UNLESS OTHERWISE SPECIFIED

- GENERAL:
 - APPLICATION SPECIFICATION SEE: AS-34786-100
 - PRODUCT SPECIFICATION SEE: PS-XXXXX-XXX
POLARIZATION FEATURE EFFECTIVENESS - SEE PRODUCT SPECIFICATION PIN RETENTION - USCAR-2 REV 5
SOLDERABILITY - SMES-152 MAX TEMP 260C
PARTS MUST CONFORM TO SAE/USCAR-30 DATED AUGUST 2006
PARTS MUST CONFORM TO USB 2.0 DATED APRIL 2000 AND MINI-B EGN DATED OCTOBER 2000
 - PACKAGING SPECIFICATION PER MOLEX DRAWING: PK-31301-489
 - PARTS MUST BE IN COMPLIANCE TO MOLEX CHEMICAL SUBSTANCES FOR PRODUCTS AND PACKAGING SPECIFICATION: ES-40000-5016
 - DATA MUST BE SUBMITTED UNDER THE MOLEX PART NUMBER TO IHDS (COMPANY ID#13255)
- DESIGN: MATERIALS:
 - SHROUD (PLASTIC HOUSING):
RESIN - SPS 30%GF - 20% REGRIND MAX. BY WEIGHT
 - HS STAC PINS
BASE MATERIAL: C70250
PLATING TYPE: AS NOTED
 - PIN ALIGNMENT PLATE: MYLAR
 - PLATING REQUIREMENTS:
UNDERPLATING - OVERALL NICKEL
OVERPLATING - OVERALL TIN
- DESIGN - GEOMETRY:
 - THIS IS A 100% CAD GENERATED PART. THE CAD MATHEMATICAL DATA IS THE MASTER FOR THIS PART. FOR DIMENSIONAL OR ANY INFORMATION NOT SHOWN ON THIS DRAWING, ANALYZE THE CAD MODEL.
 - GEOMETRIC DIMENSIONS AND TOLERANCES PER ASME Y14.5M-1994
 - EDGES AND UNDIMENSIONED DETAILS PER ISO13715
 - CORNERS SHOWN AS SHARP TO BE R 0.2 MAX.
 - LETTERING SHALL BE 0.15 MAX RAISED IN 0.25 MAX RECESS PAD. THIS INCLUDES RECYCLING CODE, CAVITY ID, VENDOR IDENTIFICATION AND CUSTOMER MATERIAL NUMBER.
- DESIGN - MANUFACTURING:
 - VISUAL DEFECTS SHALL MEET COSMETIC STANDARD PS-45499-002 (Class B)
 - NO SOLDER ALLOWED ON INSIDE OF HEADER
- FOR DESCRIPTION OF INDIVIDUAL BAYS, REFER TO HS STAC SD-34786-100
- MYLAR MAY BECOME DISPLACED FROM ORIGINAL POSITION DURING SHIPPING; MYLAR IS NOT ALLOWED TO DETACH FROM PART ENTIRELY



RECOMMENDED PIN LOCATION
CONNECTOR TO PCB CONTACT SIDE



RECOMMENDED PCB LAYOUT

REVISED IEC NO: UAU2014-0224 DRAWN: FISCHER01 2013/08/09 CHKD: APPROVAL: MAN DESCRIPTION: 2013/08/12 D4	QUALITY SYMBOLS ▽=0 ▽=0		GENERAL TOLERANCES (UNLESS SPECIFIED): mm INCH 4 PLACES ±--- ±--- 3 PLACES ±--- ±--- 2 PLACES ±0.13 ±--- 1 PLACE ±0.25 ±--- ANGULAR ± 1°		DIMENSION STYLE MM ONLY DRAWN BY: VDANIELE DATE: 2010/06/24 CHECKED BY: JDUANA DATE: 2010/06/28 APPROVED BY: SMARCEAU DATE: 2010/07/08		SCALE: 4:1 DESIGN UNITS: METRIC THIRD ANGLE PROJECTION	
	DRAFT WHERE APPLICABLE MUST REMAIN WITHIN DIMENSIONS				MATERIAL NO: SEE CHART DOCUMENT NO: SD-34787-300			
	MOLEX INCORPORATED				SHEET NO: 1 OF 1			
	THIS DRAWING CONTAINS INFORMATION THAT IS PROPRIETARY TO MOLEX INCORPORATED AND SHOULD NOT BE USED WITHOUT WRITTEN PERMISSION							