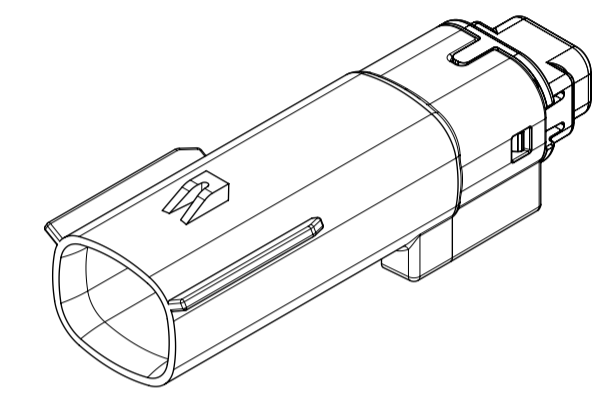


TABLE OF CONTENTS	
SHEET NO.	SHEET DESCRIPTION
1	NOTES AND BOM
2	CONFIGURATIONS
3-4	KEY CONFIGURATIONS
5	BLADE SEALED ASSEMBLY
6	SYSTEM PACKAGING
7	BACKSHELL NOTES
8	BACKSHELL
9	BACKSHELL CONFIGURATIONS

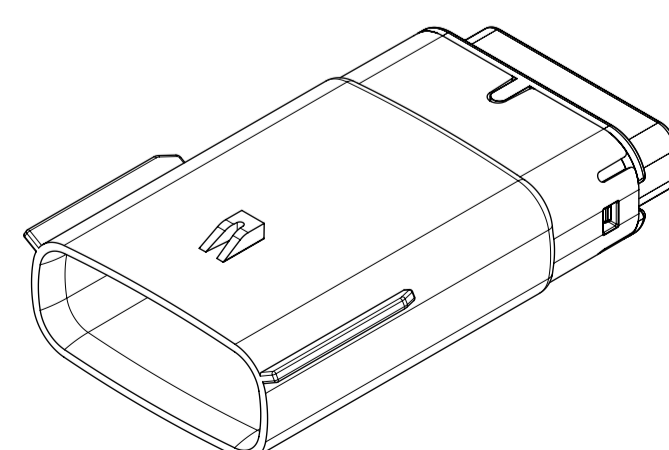
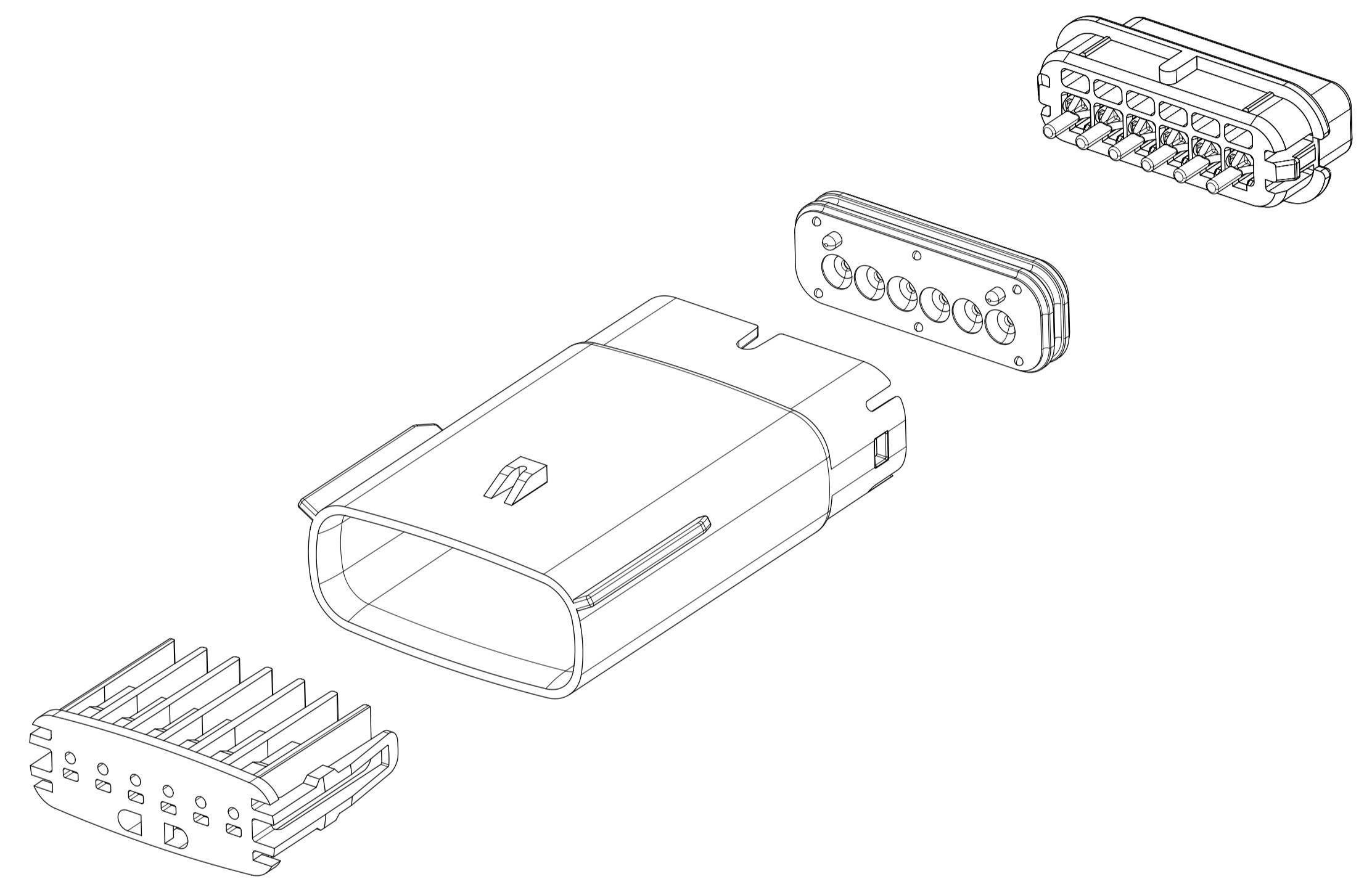
NOTES: VALID UNLESS OTHERWISE SPECIFIED

1. GENERAL:
- a. APPLICATION SPECIFICATION SEE: AS-33472-100
- CONTAINS: PRODUCT INTRODUCTION, PRODUCT SUMMARY, CONNECTOR ASSEMBLY, PACKAGING INFORMATION, CONNECTOR MATING, SERVICE INSTRUCTIONS, ELECTRICAL CONTINUITY CHECKING, CRIMPING, AND TROUBLESHOOTING.
  - DESIGNED TO MATE WITH RECEPTACLE SEALED ASSEMBLY AS SPECIFIED IN THE MATING CONNECTOR DRAWINGS CHART.
  - \*DENOTES DRAWINGS THAT CAN BE ACCESSED AT <http://ewcap.uscarteams.org/>
  - ASSEMBLY SHIPPED WITH PLR IN PRE-LOCK POSITION (SEE PLR PRE-LOCK VIEW SHEET 5).
- b. PRODUCT SPECIFICATION SEE:
- STANDARD CONFIGURATION: PS-33471-000
  - UL V0 CONFIGURATION: PS-160105-0001
  - CONTAINS: PRODUCT INTRODUCTION, PRODUCT SUMMARY, RATINGS (CURRENT, TEMPERATURE, SEALING, AND FLAMMABILITY), TERMINALS, WIRE DIAMETER RANGE, PRODUCT VALIDATION, AND PRODUCT DEVIATIONS.
- c. PACKAGING SPECIFICATION PER MOLEX DRAWING: PK-31300-635 (PK-33471-000 FOR 1X5)
- d. PARTS MUST BE IN COMPLIANCE TO MOLEX CHEMICAL SUBSTANCES FOR PRODUCTS AND PACKAGING SPECIFICATION: QEHS-699000-300
- e. DATA MUST BE SUBMITTED UNDER THE MOLEX PART NUMBER TO IMDS (COMPANY ID#13255)
2. DESIGN - MATERIALS:
- a. FOR BILL OF MATERIALS SEE:
- STANDARD CONFIGURATION: SD-33481-0002
  - UL V0 CONFIGURATION: SD-160106-0002
3. DESIGN - GEOMETRY:
- a. THE 3-D CAD DATA IS BASIC (WITHOUT TOLERANCE) AND MASTER FOR THIS PART WITH THE EXCEPTION OF UNDERLINED DIMENSIONS. DIMENSIONAL INFORMATION NOT SHOWN ON THIS DRAWING IS DEFINED BY THE DATA FILE AT ITS LATEST REVISION.
- b. GEOMETRIC DIMENSIONS AND TOLERANCES PER ASME Y14.5M-2009
- c. EDGES AND UNDIMENSIONED DETAILS PER ISO13715
- d. CORNERS SHOWN AS SHARP TO BE R 0.2 MAX.
- e. LETTERING SHALL BE 0.15 MAX RAISED IN 0.25 MAX RECESS PAD. THIS INCLUDES RECYCLING CODE, CAVITY ID, VENDOR IDENTIFICATION, AND CUSTOMER MATERIAL NUMBER.
- f. VISUAL DEFECTS SHALL MEET COSMETIC STANDARD PS-45499-002 (Class B).
- g. LASER MARKING:
- PART NUMBER
  - DAY OF THE YEAR
  - SHIFT
  - YEAR
- FOR ADDITIONAL INFORMATION SEE SECTION 5 UNDER PROCEDURES IN ES-34735-008.

MATING CONNECTOR DRAWINGS	
DESCRIPTION	MOLEX INLINE
1X2	SD-33471-0001
1X6	SD-33471-0001



1X2

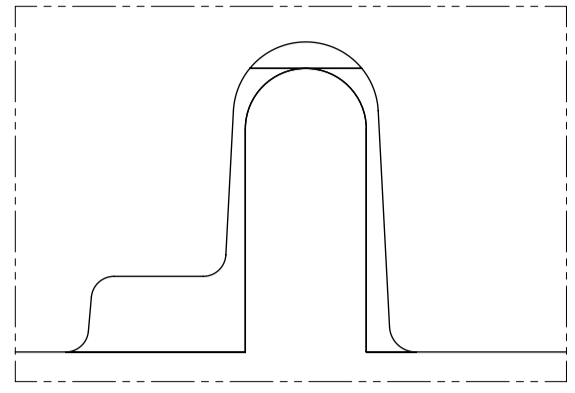


1X6

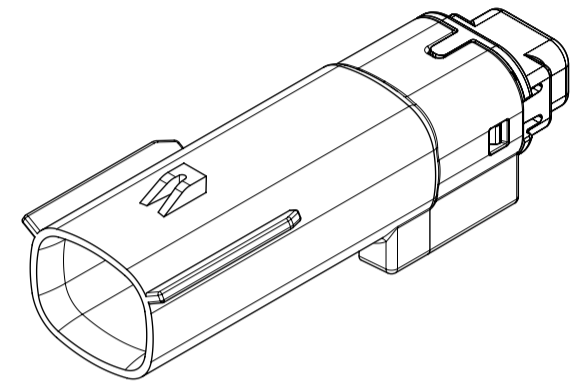
INSPECTION NUMBER LOG	
LAST NUMBER: 9	ADDED:
REMOVED:	REV
A1	NX REMASTERING , CHANGE PS DRAWING NUMBER FROM PS-160105-0001 TO PS-160074-0001 IN NOTES 1.b
A	MINOR GEOMETRY CHANGE FOR UL V0
2	UPDATED VIEWSETS
1	INITIAL RELEASE
REV	REV DESCRIPTION

<b>SYMBOLS</b> = 0 = 0 = 0 = 0 = 0 = 0 = 0 = 0 = 0	THIS DRAWING CONTAINS INFORMATION THAT IS PROPRIETARY TO MOLEX ELECTRONIC TECHNOLOGIES, LLC AND SHOULD NOT BE USED WITHOUT WRITTEN PERMISSION DIMENSION UNITS: <b>MM ONLY</b> SCALE: <b>1.5:1</b>	CURRENT REV DESC: EC NO: 602373 DRWN: DSHETTY01 2018/05/25 CHK'D: MVANSLAMBROU 2018/10/04 APPR: MVANSLAMBROU 2018/10/04 INITIAL REVISION: DRWN: APROFFITT 2015/07/21 APPR: KDEKOSKI 2016/06/14	 MX150 BLADE SINGLE ROW SEALED ASSY MAT SEAL		
	GENERAL TOLERANCES (UNLESS SPECIFIED) ANGULAR TOL ± 1.0° 4 PLACES ± 3 PLACES ± 2 PLACES ± 0.1 1 PLACE ± 0.2 0 PLACES ±	PRODUCT CUSTOMER DRAWING			
	DRAFT WHERE APPLICABLE MUST REMAIN WITHIN DIMENSIONS	THIRD ANGLE PROJECTION	DRAWING: <b>A1-SIZE</b> SERIES: <b>33481</b>	MATERIAL NUMBER: SEE NOTE 2a. CUSTOMER: GENERAL MARKET	SHEET NUMBER: 1 OF 9
	DOCUMENT STATUS: P1 RELEASE DATE: 2018/10/04 15:02:02		DOCUMENT NUMBER: <b>SD-33481-0001</b> DOC TYPE: PSD DOC PART: 001 REVISION: <b>A1</b>		

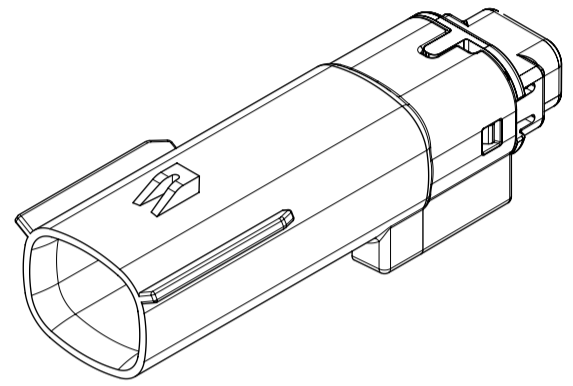
**SHEET DESCRIPTION**  
CONFIGURATIONS



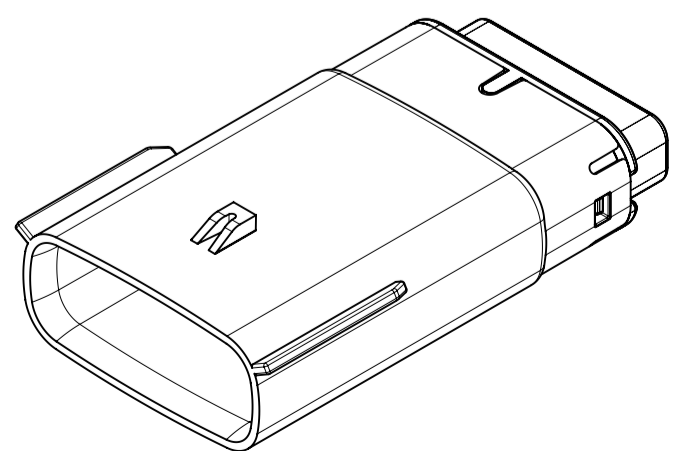
UL V0 UNIQUE FEATURE  
Partial1  
SCALE 10:1



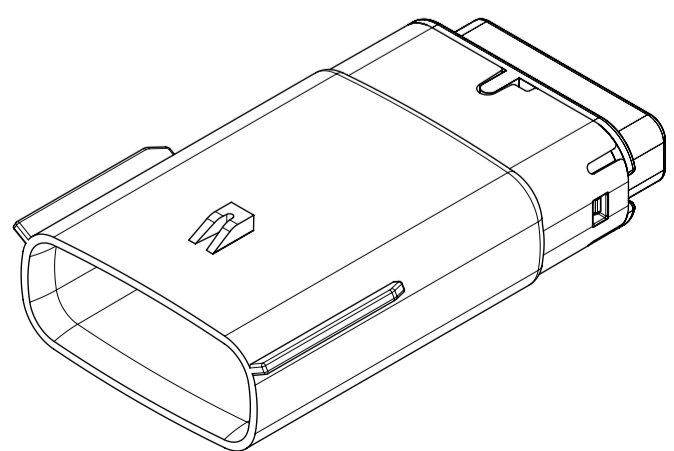
1x2 - STD



1X2 - UL V0\*



1x6 - STD

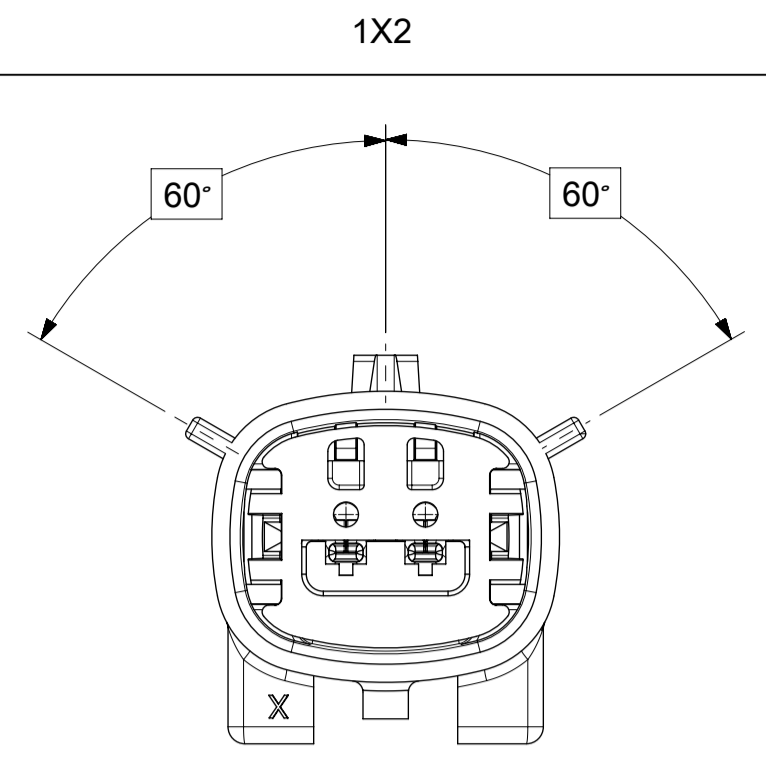


1x6 - UL V0\*

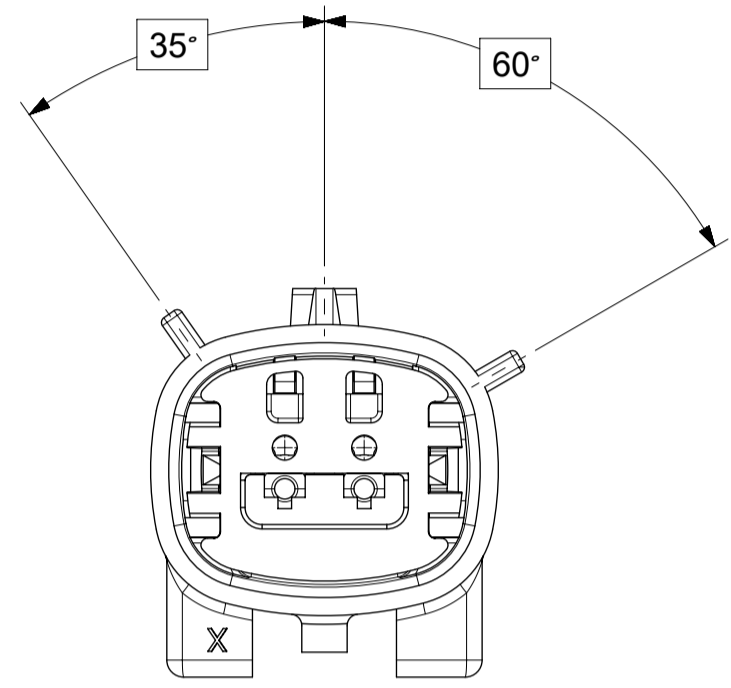
\* MINOR GEOMETRY DIFFERENCE THAN STANDARD CONFIGURATION.  
SEE NOTES 1 & 2 FOR MORE INFORMATION

SYMBOLS	THIS DRAWING CONTAINS INFORMATION THAT IS PROPRIETARY TO MOLEX ELECTRONIC TECHNOLOGIES, LLC AND SHOULD NOT BE USED WITHOUT WRITTEN PERMISSION		CURRENT REV DESC:							
	DIMENSION UNITS	SCALE						EC NO: 602373	DRWN: DSHETTY01	2018/05/25
▽ = 0	MM ONLY	1.5:1	GENERAL TOLERANCES (UNLESS SPECIFIED)		CHK'D: MVANSLAMBROU	2018/10/04	PRODUCT CUSTOMER DRAWING			
▽ = 0	ANGULAR TOL ± 1.0°		APPR: MVANSLAMBROU		2018/10/04	DOCUMENT NUMBER		DOC TYPE	DOC PART	REVISION
▽ = 0	4 PLACES	±	INITIAL REVISION:		DRWN: APROFFITT	2015/07/21	SD-33481-0001	PSD	001	A1
▽ = 0	3 PLACES	±	DRWN: APROFFITT		2015/07/21	2016/06/14	MATERIAL NUMBER	CUSTOMER	SHEET NUMBER	
▽ = 0	2 PLACES	± 0.1	APPR: KDEKOSKI		2016/06/14	2016/06/14	SEE NOTE 2a.	GENERAL MARKET	2 OF 9	
▽ = 0	1 PLACE	± 0.2	DRAFT WHERE APPLICABLE MUST REMAIN WITHIN DIMENSIONS		THIRD ANGLE PROJECTION	DRAWING	A1-SIZE	33481		
▽ = 0	0 PLACES	±				SERIES				

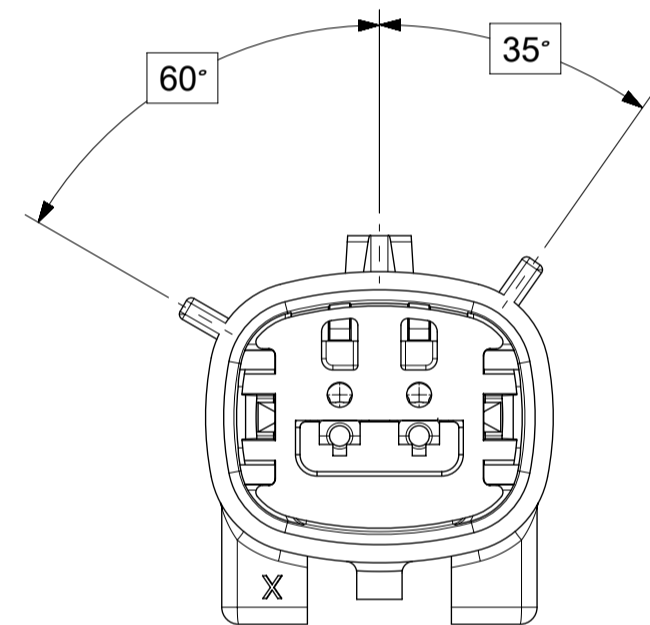
**SHEET DESCRIPTION**  
KEY CONFIGURATIONS



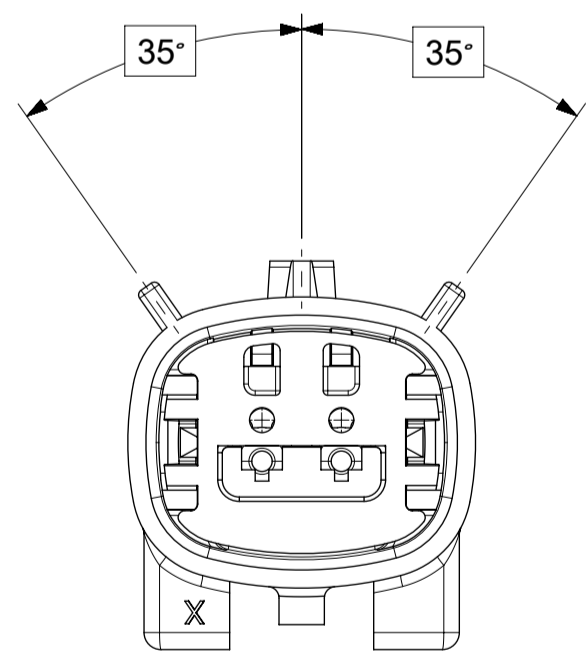
KEY A



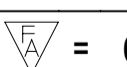
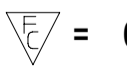
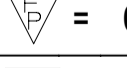
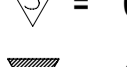

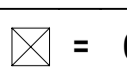

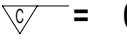
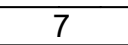


KEY B



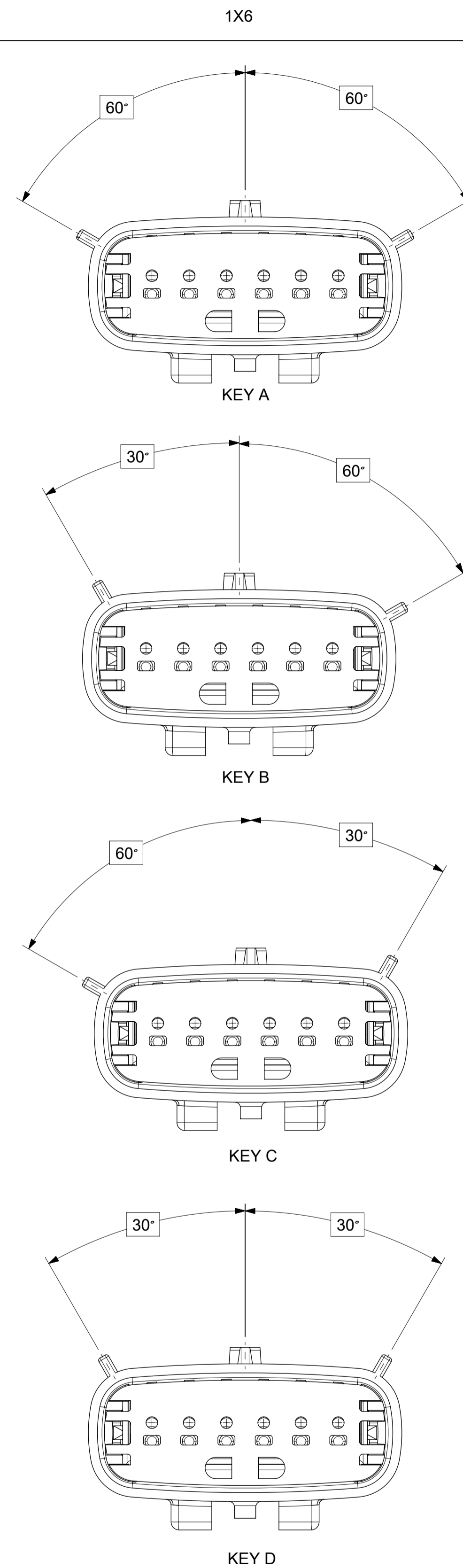
KEY C



KEY D

<b>SYMBOLS</b>  = 0  = 0  = 0  = 0  = 0  = 0  = 0  = 0  = 0	THIS DRAWING CONTAINS INFORMATION THAT IS PROPRIETARY TO MOLEX ELECTRONIC TECHNOLOGIES, LLC AND SHOULD NOT BE USED WITHOUT WRITTEN PERMISSION DIMENSION UNITS: <b>MM ONLY</b> SCALE: <b>3:1</b>	CURRENT REV DESC:  EC NO: 602373 DRWN: DSHETTY01 2018/05/25 CHK'D: MVANSLAMBROU 2018/10/04 APPR: MVANSLAMBROU 2018/10/04	  MX150 BLADE SINGLE ROW SEALED ASSY MAT SEAL				
	GENERAL TOLERANCES (UNLESS SPECIFIED) ANGULAR TOL ± 1.0°	4 PLACES ± 3 PLACES ± 2 PLACES ± 0.1 1 PLACE ± 0.2 0 PLACES ±				INITIAL REVISION: DRWN: APROFFITT 2015/07/21 APPR: KDEKOSKI 2016/06/14	DOCUMENT NUMBER <b>SD-33481-0001</b>
	DRAFT WHERE APPLICABLE MUST REMAIN WITHIN DIMENSIONS	THIRD ANGLE PROJECTION 	DRAWING <b>A1-SIZE</b>	SERIES <b>33481</b>	MATERIAL NUMBER SEE NOTE 2a.	CUSTOMER GENERAL MARKET	SHEET NUMBER <b>3 OF 9</b>

**SHEET DESCRIPTION**  
KEY CONFIGURATIONS CONT.



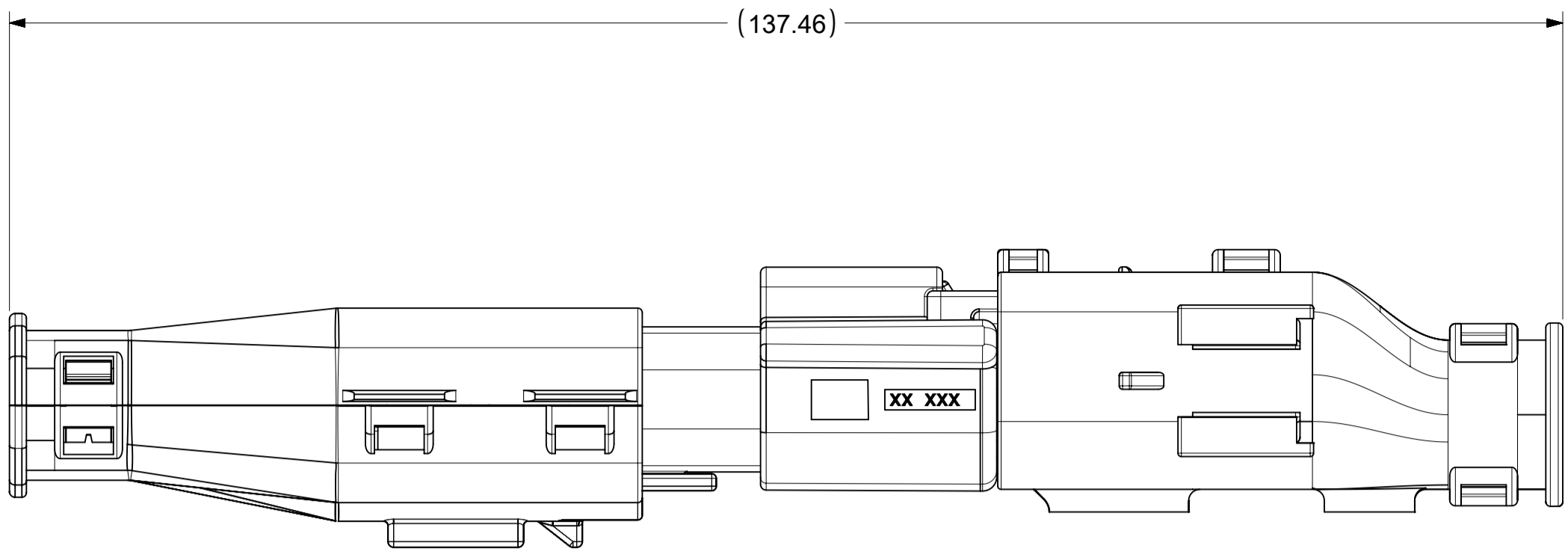
<b>SYMBOLS</b> = 0 = 0 = 0 = 0 = 0 = 0 = 0 = 0 = 0	THIS DRAWING CONTAINS INFORMATION THAT IS PROPRIETARY TO MOLEX ELECTRONIC TECHNOLOGIES, LLC AND SHOULD NOT BE USED WITHOUT WRITTEN PERMISSION DIMENSION UNITS: <b>MM ONLY</b> SCALE: <b>3:1</b>	CURRENT REV DESC:  EC NO: 602373 DRWN: DSHETTY01 2018/05/25 CHK'D: MVANSLAMBROU 2018/10/04 APPR: MVANSLAMBROU 2018/10/04	 MX150 BLADE SINGLE ROW SEALED ASSY MAT SEAL		
	GENERAL TOLERANCES (UNLESS SPECIFIED) ANGULAR TOL ± 1.0° 4 PLACES ± 3 PLACES ± 2 PLACES ± 0.1 1 PLACE ± 0.2 0 PLACES ±	INITIAL REVISION: DRWN: APROFFITT 2015/07/21 APPR: KDEKOSKI 2016/06/14	PRODUCT CUSTOMER DRAWING DOCUMENT NUMBER: <b>SD-33481-0001</b> DOC TYPE: PSD DOC PART: 001 REVISION: <b>A1</b>	MATERIAL NUMBER: SEE NOTE 2a. CUSTOMER: GENERAL MARKET SHEET NUMBER: 4 OF 9	
DRAFT WHERE APPLICABLE MUST REMAIN WITHIN DIMENSIONS THIRD ANGLE PROJECTION DRAWING: <b>A1-SIZE</b> SERIES: <b>33481</b>					



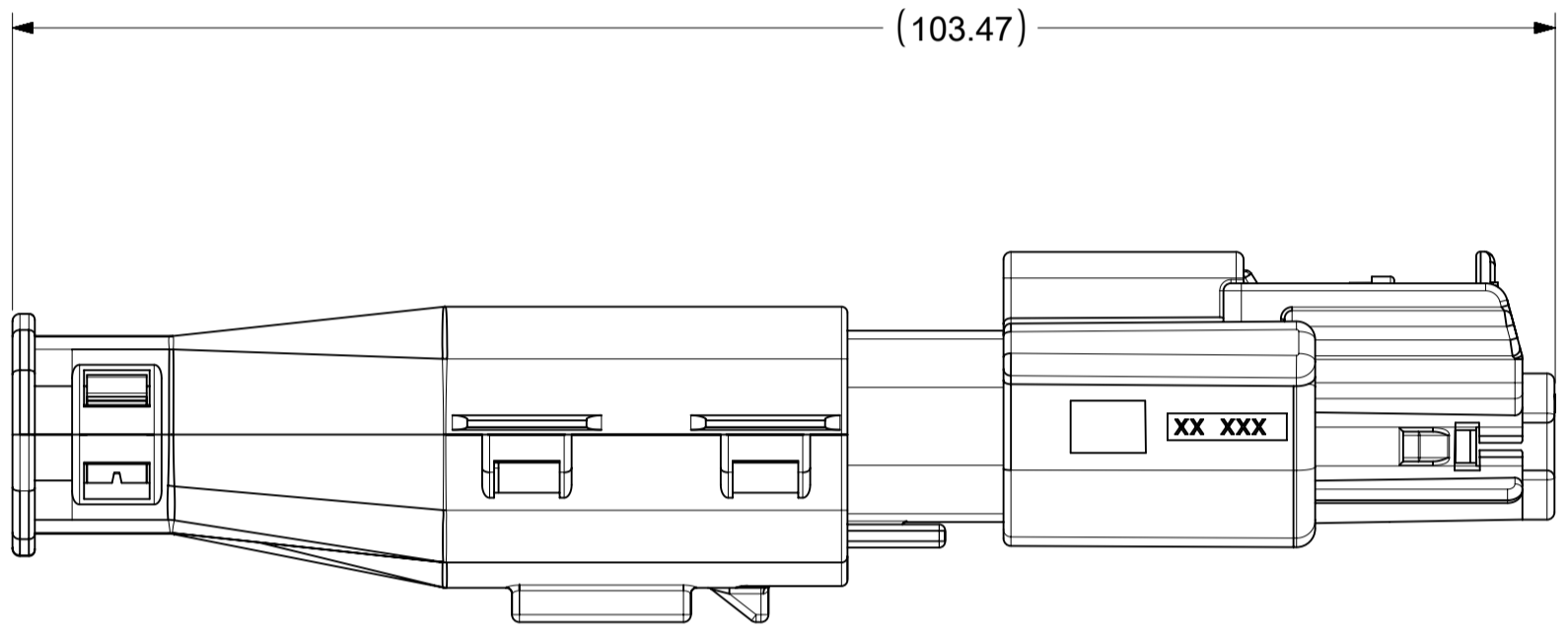
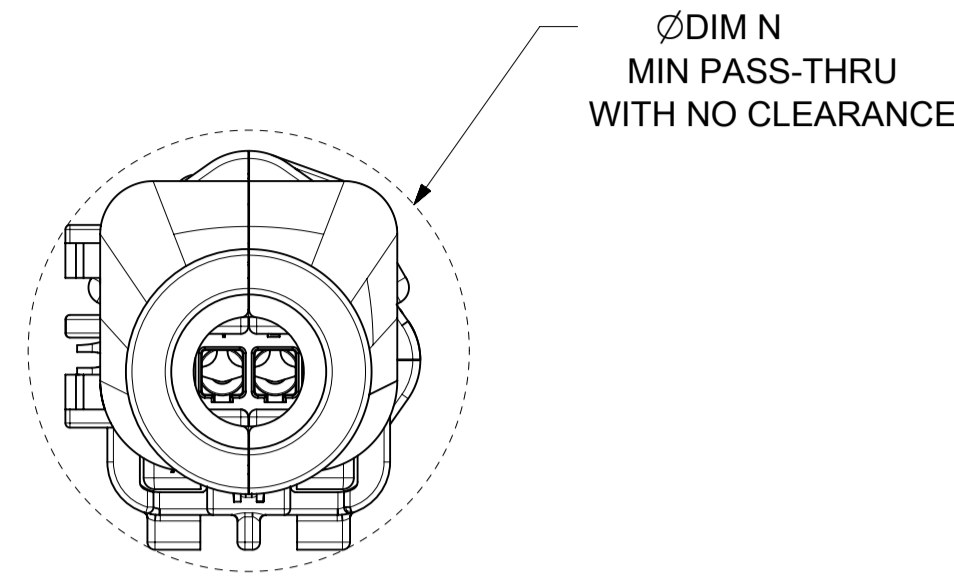


**SHEET DESCRIPTION**  
BACKSHELL CONFIGURATIONS

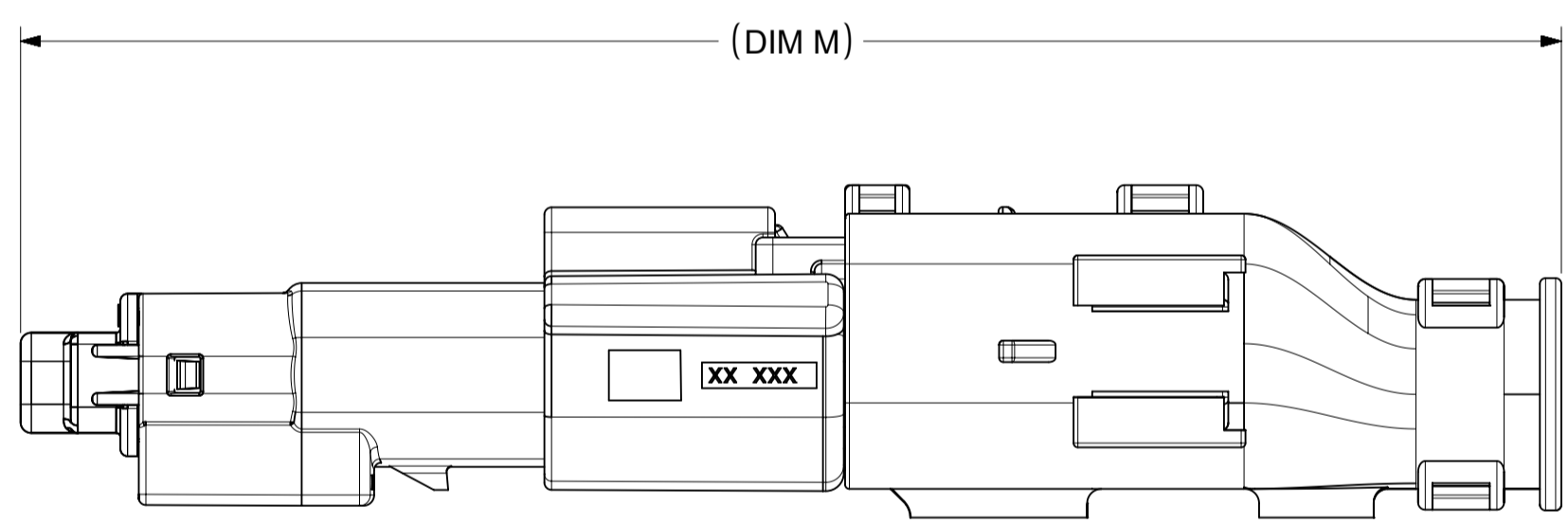
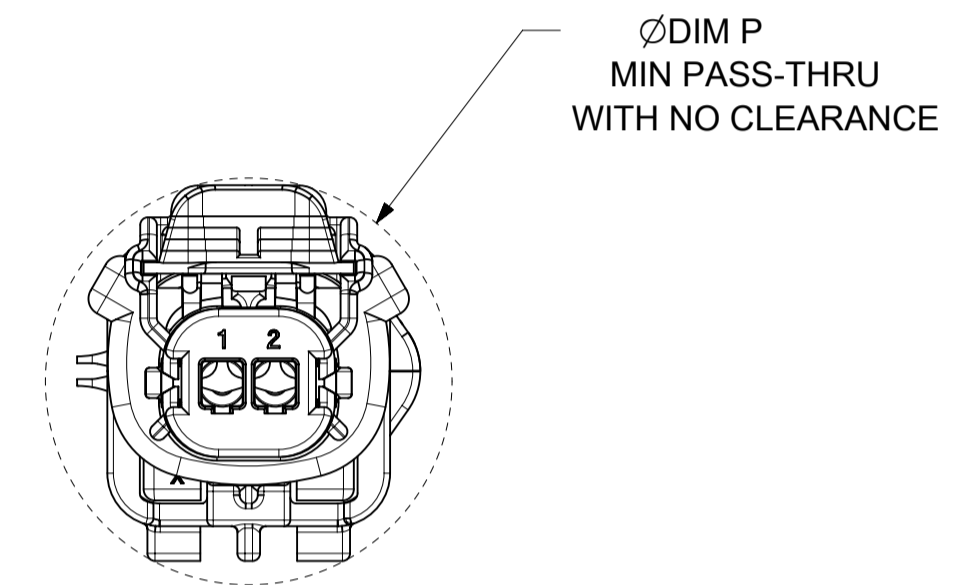
CKT	BLADE CONFIGURATION	RECEPTACLE CONFIGURATION	DIMENSIONS				
			M	N	P	R	S
1X2	STANDARD	STANDARD	107.84	29.50	27.00	26.25	25.00



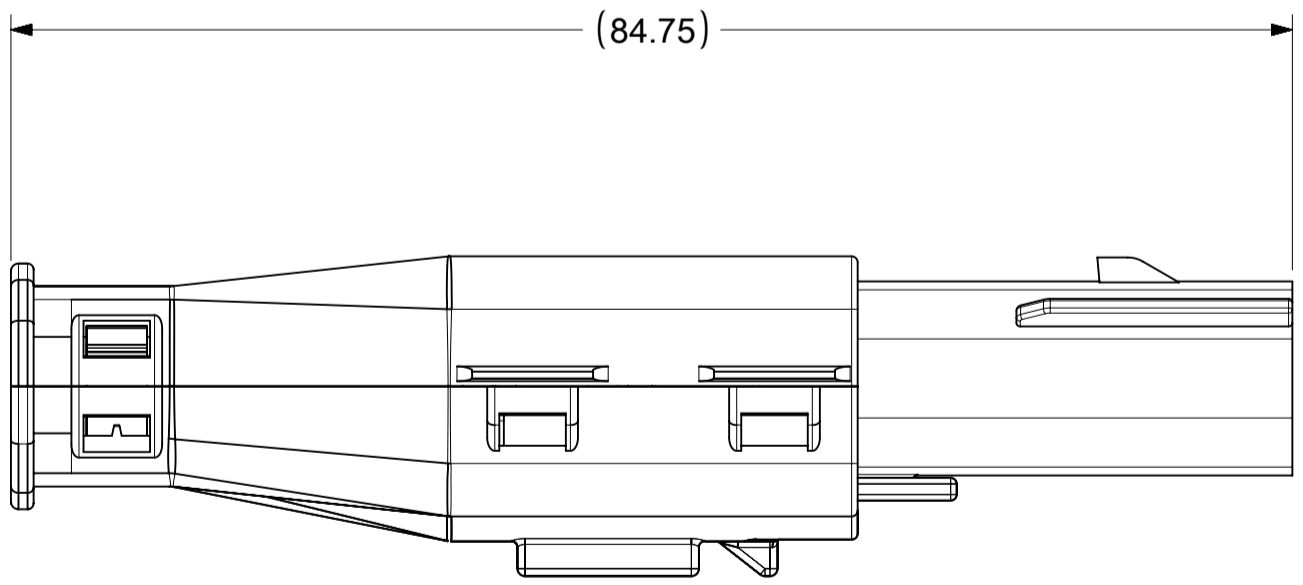
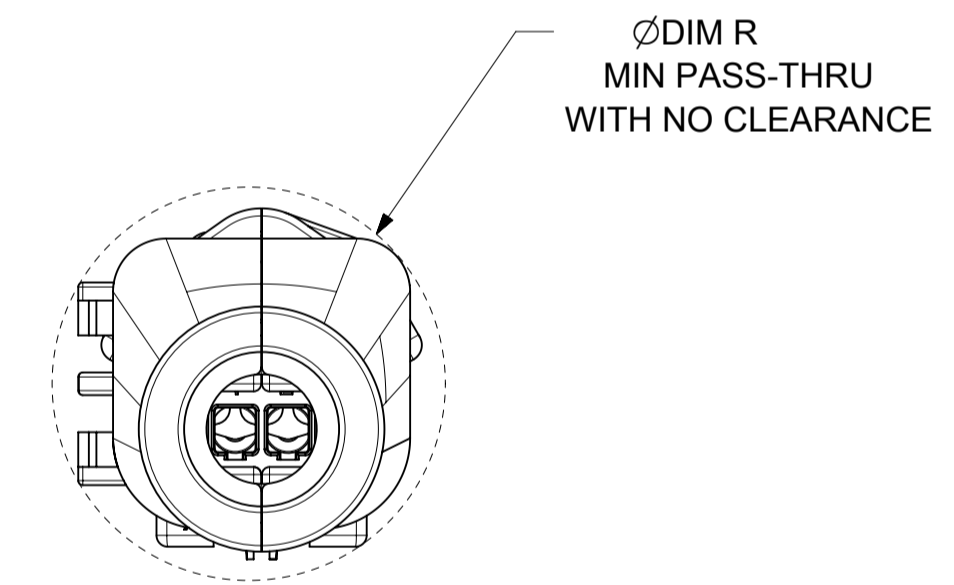
OVERALL MATED SYSTEM WITH BLADE AND RECEPTACLE BACKSHELL



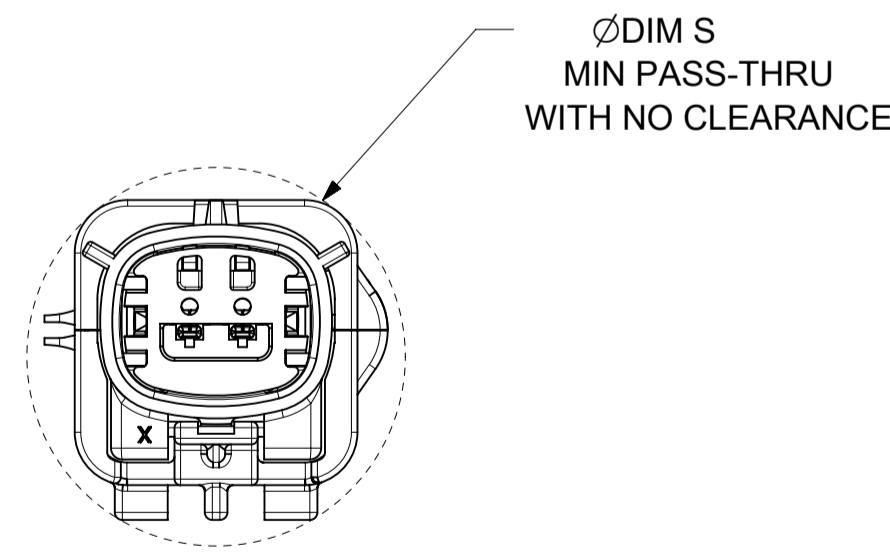
OVERALL MATED SYSTEM WITH BLADE BACKSHELL



OVERALL MATED SYSTEM WITH RECEPTACLE BACKSHELL

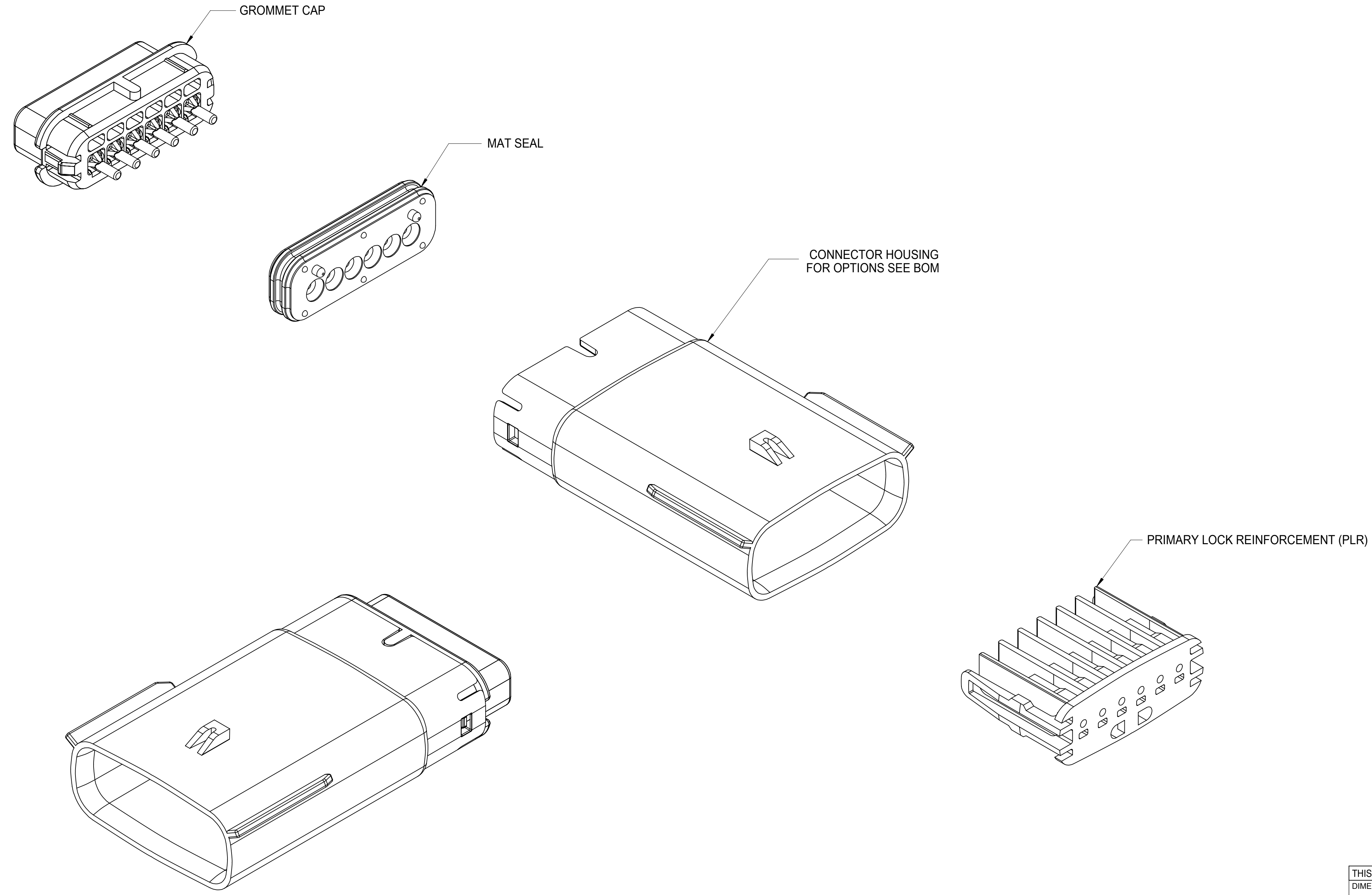


BLADE SEALED ASSEMBLY WITH BLADE BACKSHELL



<b>SYMBOLS</b> = 0 = 0 = 0 = 0 = 0 = 0 = 0 = 0 = 0 = 0	THIS DRAWING CONTAINS INFORMATION THAT IS PROPRIETARY TO MOLEX ELECTRONIC TECHNOLOGIES, LLC AND SHOULD NOT BE USED WITHOUT WRITTEN PERMISSION DIMENSION UNITS: <b>MM ONLY</b> SCALE: <b>2:1</b>	CURRENT REV DESC: EC NO: 602373 DRWN: DSHETTY01 2018/05/25 CHK'D: MVANSLAMBROU 2018/10/04 APPR: MVANSLAMBROU 2018/10/04 INITIAL REVISION: DRWN: APROFFITT 2015/07/21 APPR: KDEKOSKI 2016/06/14	 MX150 BLADE SINGLE ROW SEALED ASSY MAT SEAL		
	GENERAL TOLERANCES (UNLESS SPECIFIED) ANGULAR TOL ± 1.0° 4 PLACES ± 3 PLACES ± 2 PLACES ± 0.1 1 PLACE ± 0.2 0 PLACES ± DRAFT WHERE APPLICABLE MUST REMAIN WITHIN DIMENSIONS	PRODUCT CUSTOMER DRAWING DOCUMENT NUMBER: <b>SD-33481-0001</b> DOC TYPE: PSD DOC PART: 001 REVISION: <b>A1</b>	MATERIAL NUMBER: SEE NOTE 2a. CUSTOMER: GENERAL MARKET SHEET NUMBER: 9 OF 9		

SHEET NO.	SHEET DESCRIPTION
1	NOTES
2	KEY CONFIGURATIONS
3	BLADE SEALED ASSEMBLY
4	SYSTEM PACKAGING
5	BOM



NOTES: VALID UNLESS OTHERWISE SPECIFIED

1. GENERAL:

a. APPLICATION SPECIFICATION SEE: AS-33472-100  
CONTAINS: PRODUCT INTRODUCTION, PRODUCT SUMMARY, CONNECTOR ASSEMBLY, PACKAGING INFORMATION, CONNECTOR MATING, SERVICE INSTRUCTIONS, ELECTRICAL CONTINUITY CHECKING, CRIMPING, AND TROUBLESHOOTING.  
-DESIGNED TO MATE WITH RECEPTACLE SEALED ASSEMBLY SPECIFIED IN MOLEX DRAWING SD-33471-061.  
-FOR 1.5mm BLADE TERMINALS TO BE USED WITH THIS ASSEMBLY SEE MOLEX DRAWING SD-33000-001.  
- SYSTEM TO BE USED WITH WIRE WITHIN DIAMETER RANGE OF 1.2mm TO 2.69mm.  
-ASSEMBLY SHIPPED WITH PLR IN PRE-LOCK POSITION  
-IN THE EVENT THAT THE PLR IS FOUND IN THE SEATED (FINAL LOCK) POSITION, REFER TO MOLEX SPECIFICATION PS-34646-001, AVAILABLE AT [www.molex.com](http://www.molex.com) <<http://www.molex.com>>  
-ASSEMBLY CONFORMS TO SAE/USCAR-2 REV.4 WITH THE FOLLOWING EXCEPTIONS:  
TERMINAL INSERTION FORCE FOR WIRE DIAMETER ABOVE 2.5mm NOT EXCEEDING 2.69mm SHALL NOT EXCEED 45 NEWTONS.

b. PRODUCT SPECIFICATION SEE: PS-33471-000  
CONTAINS: PRODUCT INTRODUCTION, PRODUCT SUMMARY, RATINGS (CURRENT, TEMPERATURE, SEALING, AND FLAMMABILITY), AND PRODUCT VALIDATION.

c. PACKAGING SPECIFICATION PER MOLEX DRAWING: PK-31300-635

d. PARTS MUST BE IN COMPLIANCE TO MOLEX CHEMICAL SUBSTANCES FOR PRODUCTS AND PACKAGING SPECIFICATION: ES-40000-5016

e. DATA MUST BE SUBMITTED UNDER THE MOLEX PART NUMBER TO IMDS (COMPANY ID#13255)

2. DESIGN - MATERIALS:

a. CONNECTOR HOUSING, GROMMET CAP, PLR: SPS/NYLON BLEND 20% GLASS FILLED  
b. MAT SEAL: INHERENTLY LUBRICATED SILICONE

3. DESIGN - GEOMETRY:

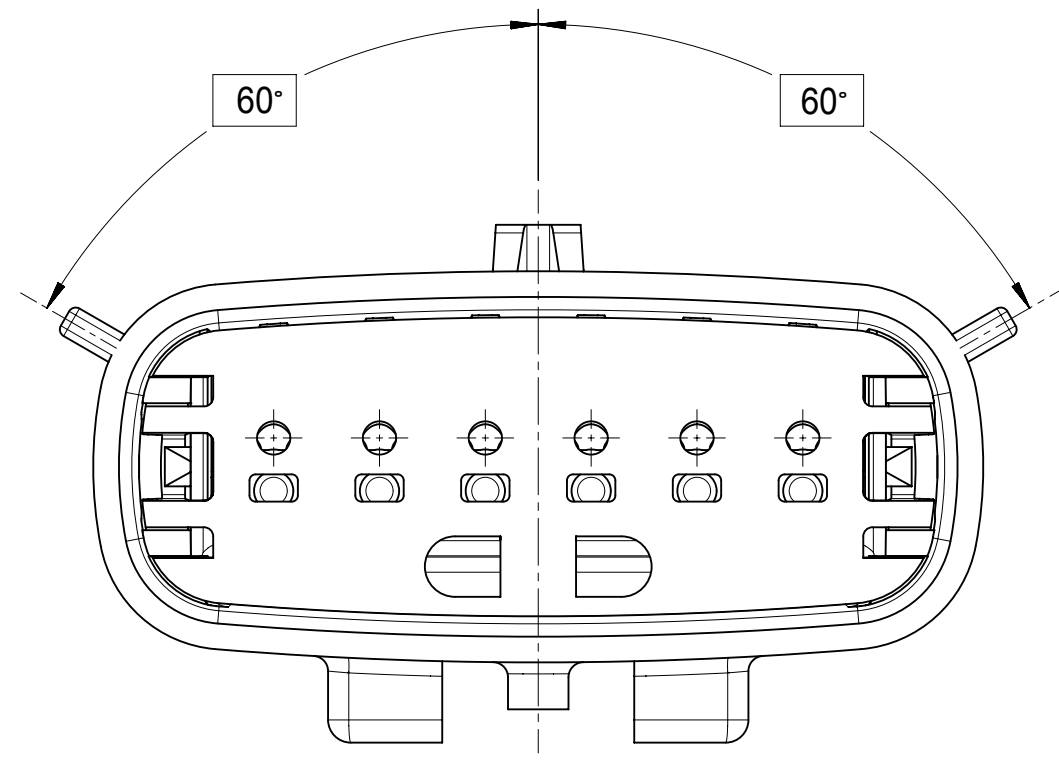
a. THIS IS A 100% CAD GENERATED PART. THE CAD MATHEMATICAL DATA IS THE MASTER FOR THIS PART. FOR DIMENSIONAL OR ANY INFORMATION NOT SHOWN ON THIS DRAWING, ANALYZE THE CAD MODEL.  
b. GEOMETRIC DIMENSIONS AND TOLERANCES PER ASME Y14.5M - 1994  
c. EDGES AND UNDIMENSIONED DETAILS PER ISO13715  
d. CORNERS SHOWN AS SHARP TO BE R 0.2 MAX.  
e. LETTERING SHALL BE 0.15 MAX RAISED IN 0.25 MAX RECESS PAD. THIS INCLUDES RECYCLING CODE, CAVITY ID, VENDOR IDENTIFICATION, AND CUSTOMER MATERIAL NUMBER.  
f. VISUAL DEFECTS SHALL MEET COSMETIC STANDARD PS-45499-002 (Class B)  
g. LASER MARKING: TBD

INSPECTION NUMBER LOG  
LAST NUMBER USED: 8  
ADDED:  
REMOVED:

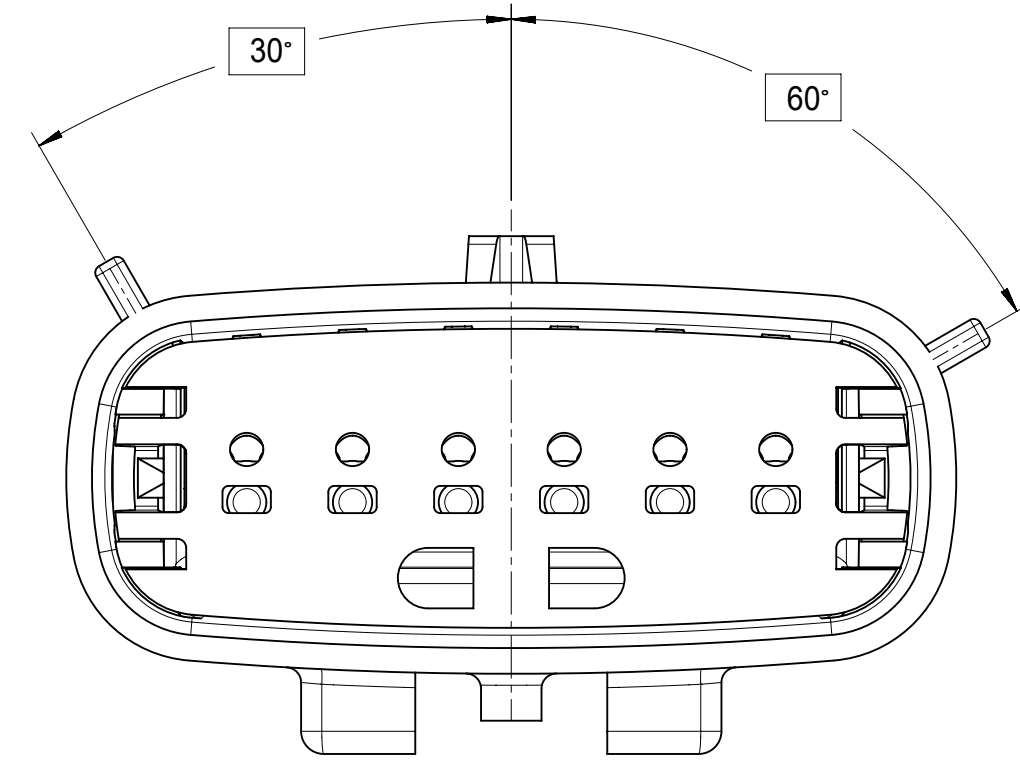
V6	ADD NEW P/N 33481-6625 TO 33481-6626
V5	CHANGED PARTS STATUS TO "NOT RECOMMENDED" FOR SINGLE ROW BLADE MAT SEAL CHANGE
V4	UPDATE 33481-0602/0607/0612/0618/0619 STATUS TO "SALEABLE" AND UPDATE 33481-0603/0604/0608/0609/0613/0614 STATUS TO "NOT RECOMMENDED" ON SHEET 5; UPDATE 33481-6602/6607/6612/6618/6619 STATUS TO "SALEABLE" AND UPDATE 33481-6603/6604/6608/6609/6613/6614 STATUS TO "NOT RECOMMENDED" ON SHEET 5;
V3	ADD NEW P/N 33481-6601 TO 33481-6624
V2	ADD NEW P/N 33481-0624
V1	ADD NEW P/N 33481-0623
U	ADD NEW P/N 33481-0621 33481-0622
T	ADD NEW P/N 33481-0620
S	UPDATED GROMMET CAP
R1	UPDATED DIMENSIONS TO MATCH MODEL
R	COLOR REPLACEMENT FOR KEY C AND D PER USCAR STANDARD
Q	REDRAWN
REV	DESCRIPTION

THIS DRAWING CONTAINS INFORMATION THAT IS PROPRIETARY TO MOLEX ELECTRONIC TECHNOLOGIES, LLC AND SHOULD NOT BE USED WITHOUT WRITTEN PERMISSION		CURRENT REV DESC: SEE REVISION TABLE					
DIMENSION UNITS	SCALE	EC NO: 654141					
mm	3:1	DRWN: SCV 2021/01/29		MX150 1X6 BLADE SEALED ASSEMBLY MAT SEAL  PRODUCT CUSTOMER DRAWING			
GENERAL TOLERANCES (UNLESS SPECIFIED)		CHK'D: GGA 2021/02/03					
ANGULAR TOL ± 3.0°		APPR: GGA 2021/02/03					
4 PLACES	±	INITIAL REVISION:		DOCUMENT NUMBER	DOC TYPE	DOC PART	REVISION
3 PLACES	±	DRWN: DGRIFITHS 2005/08/26		SD-33481-061	PSD	001	V6
2 PLACES	± 0.1	APPR: smarceau 2005/08/29		MATERIAL NUMBER	CUSTOMER		SHEET NUMBER
1 PLACE	± 0.3	DRAFT WHERE APPLICABLE MUST REMAIN WITHIN DIMENSIONS		SEE BOM	GENERAL MARKET		1 OF 5
0 PLACES	±	THIRD ANGLE PROJECTION		DRAWING	SERIES		
				D-SIZE	33481		

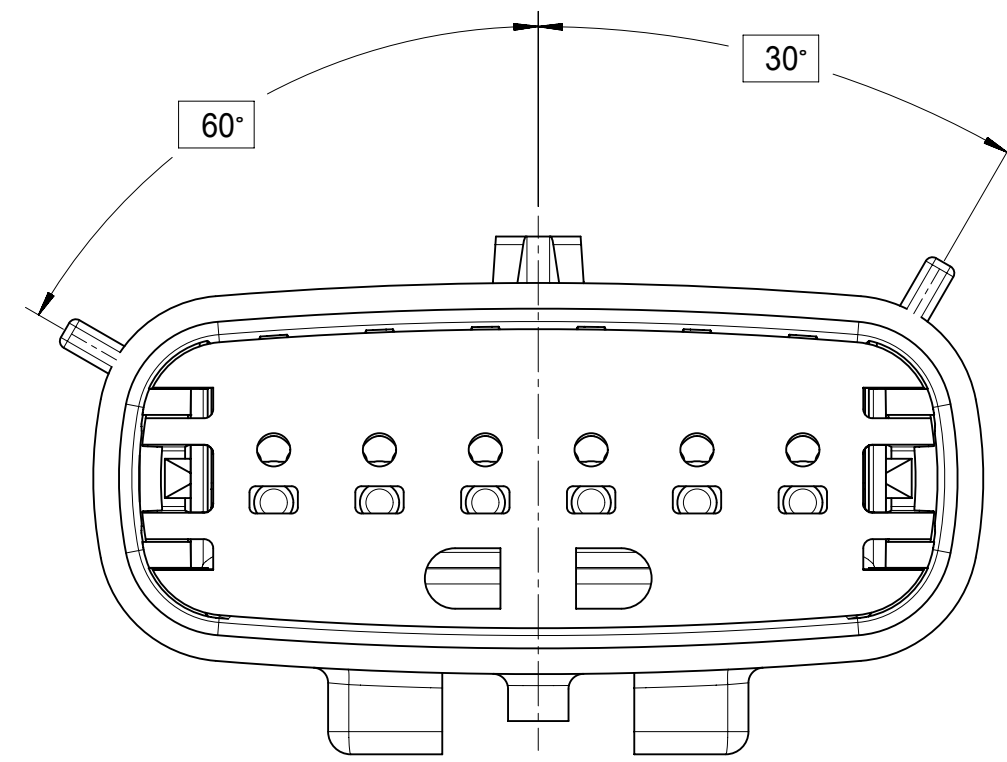




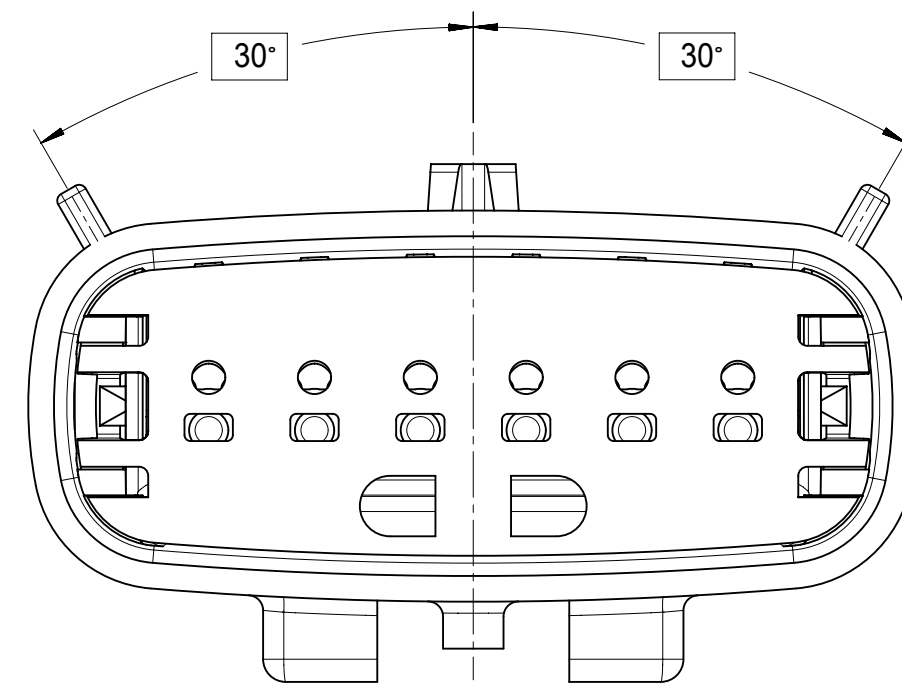
KEY A



KEY B

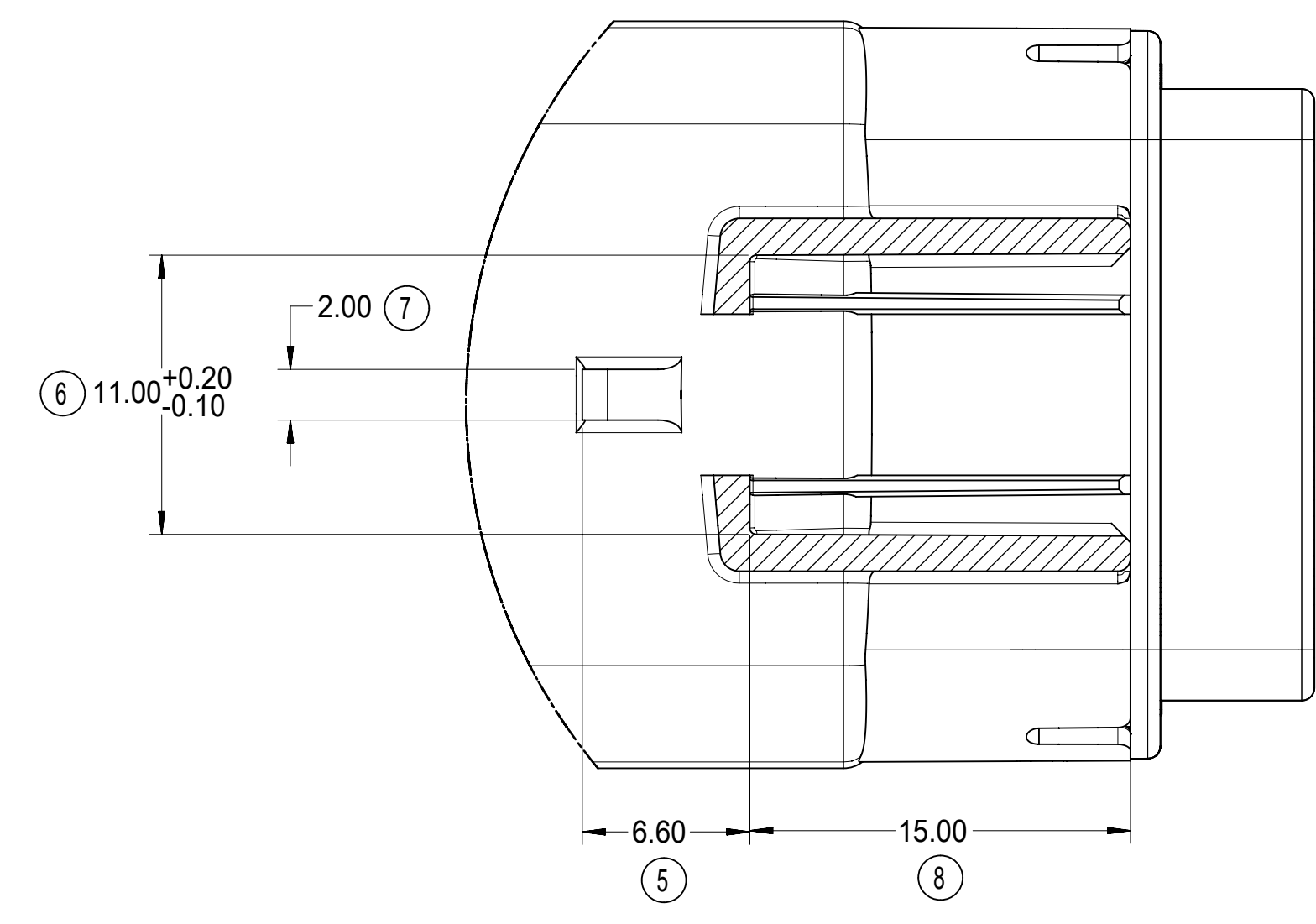
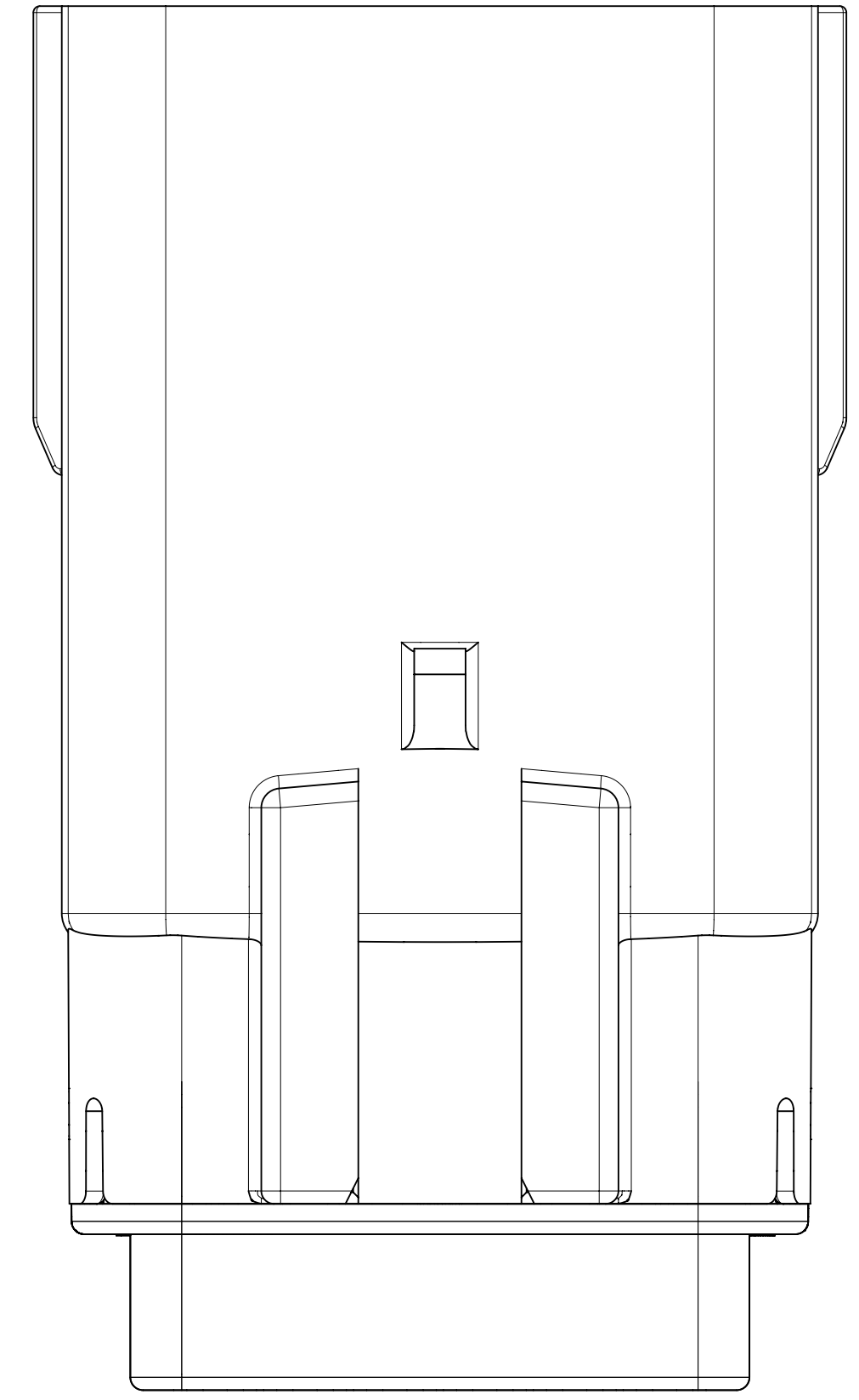
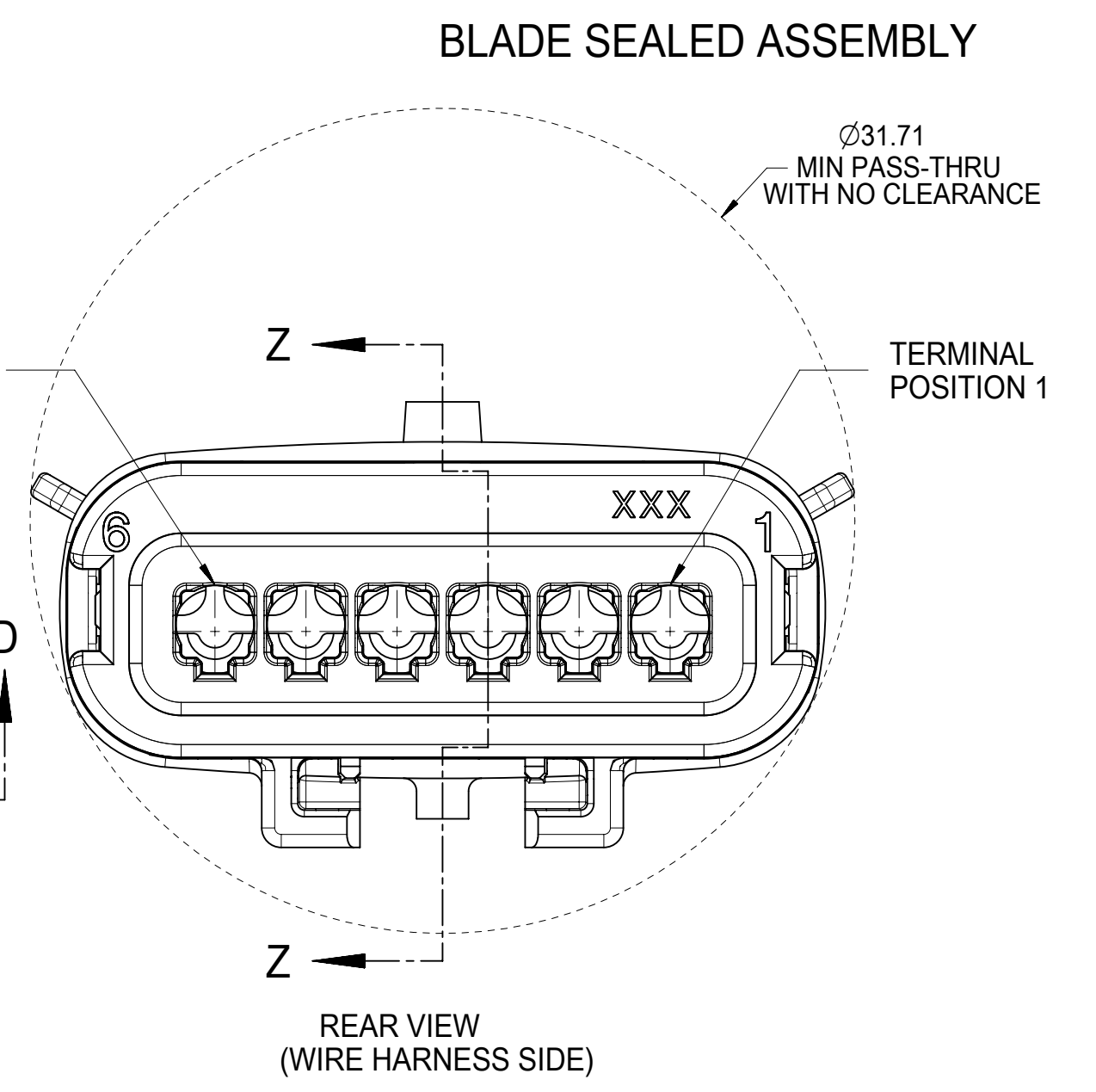
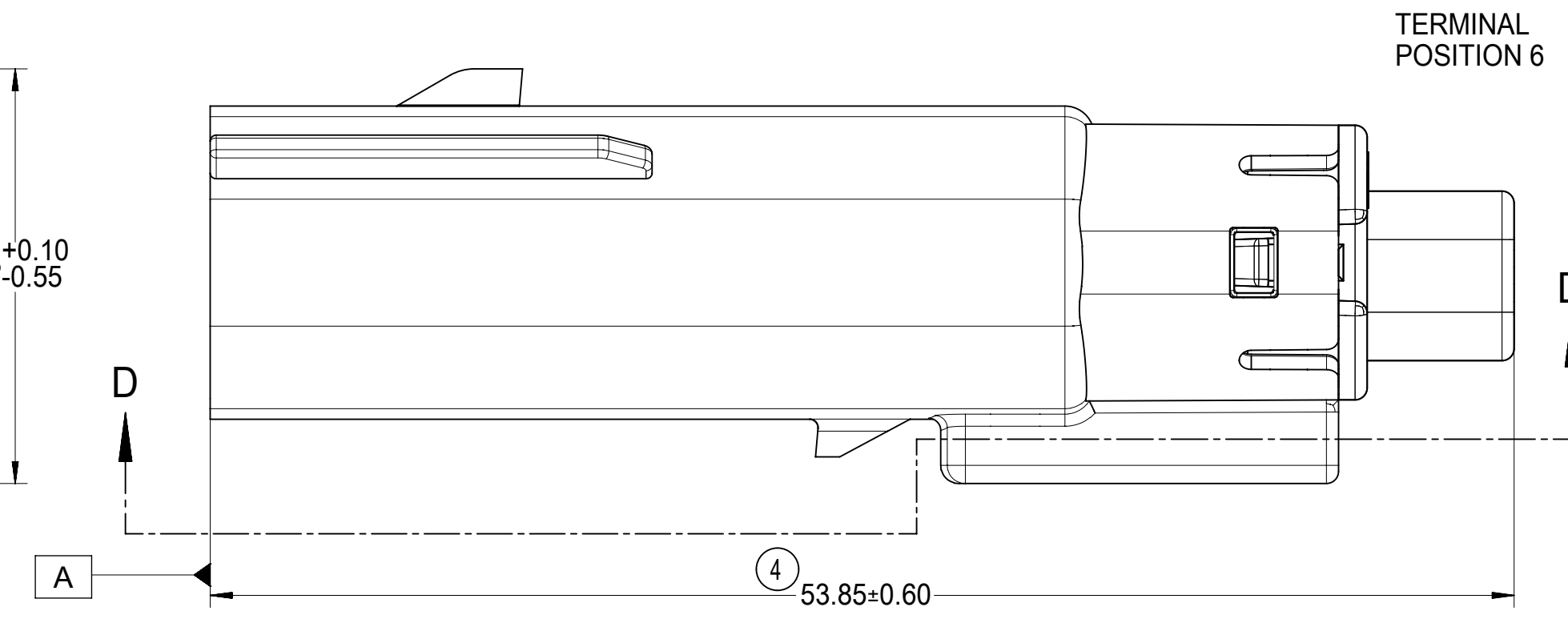
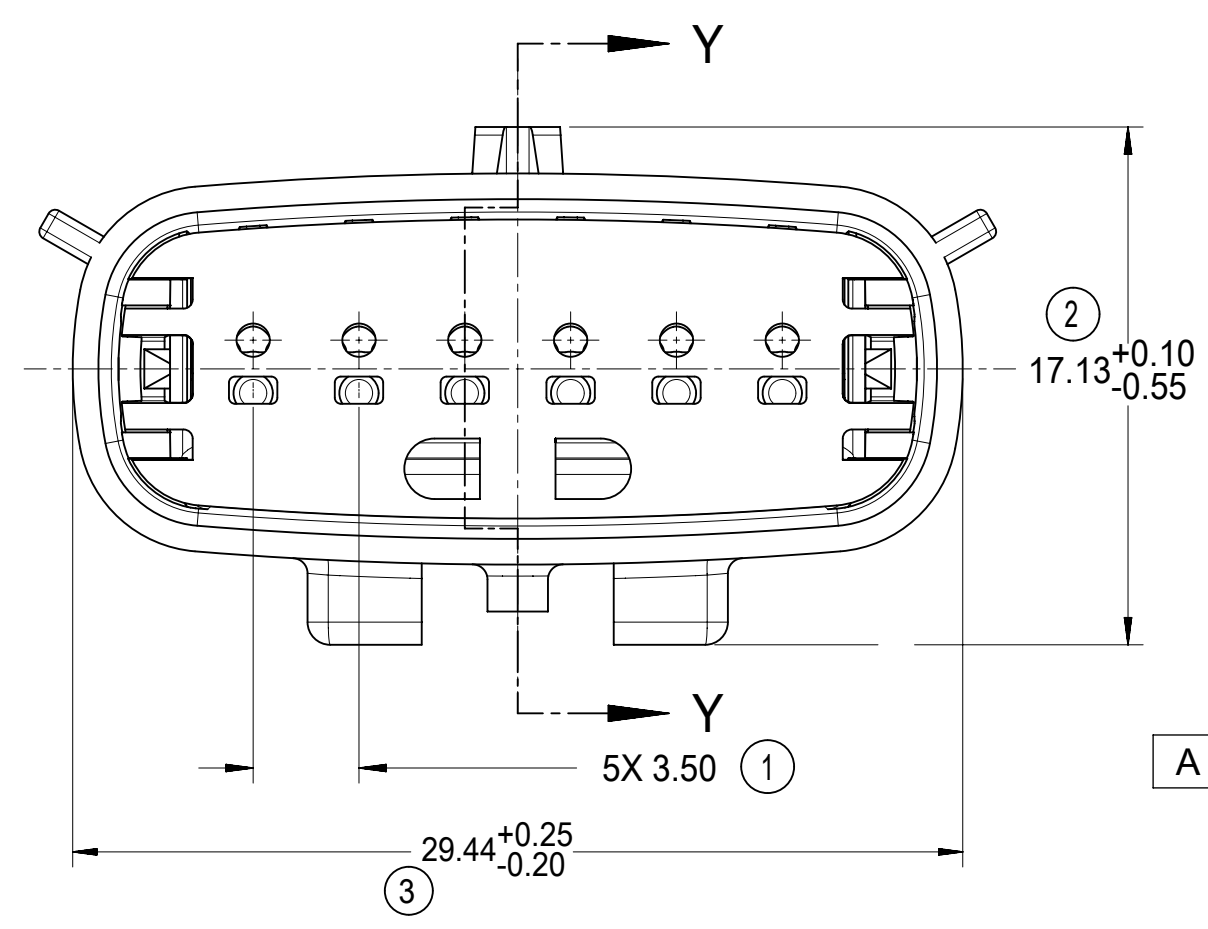
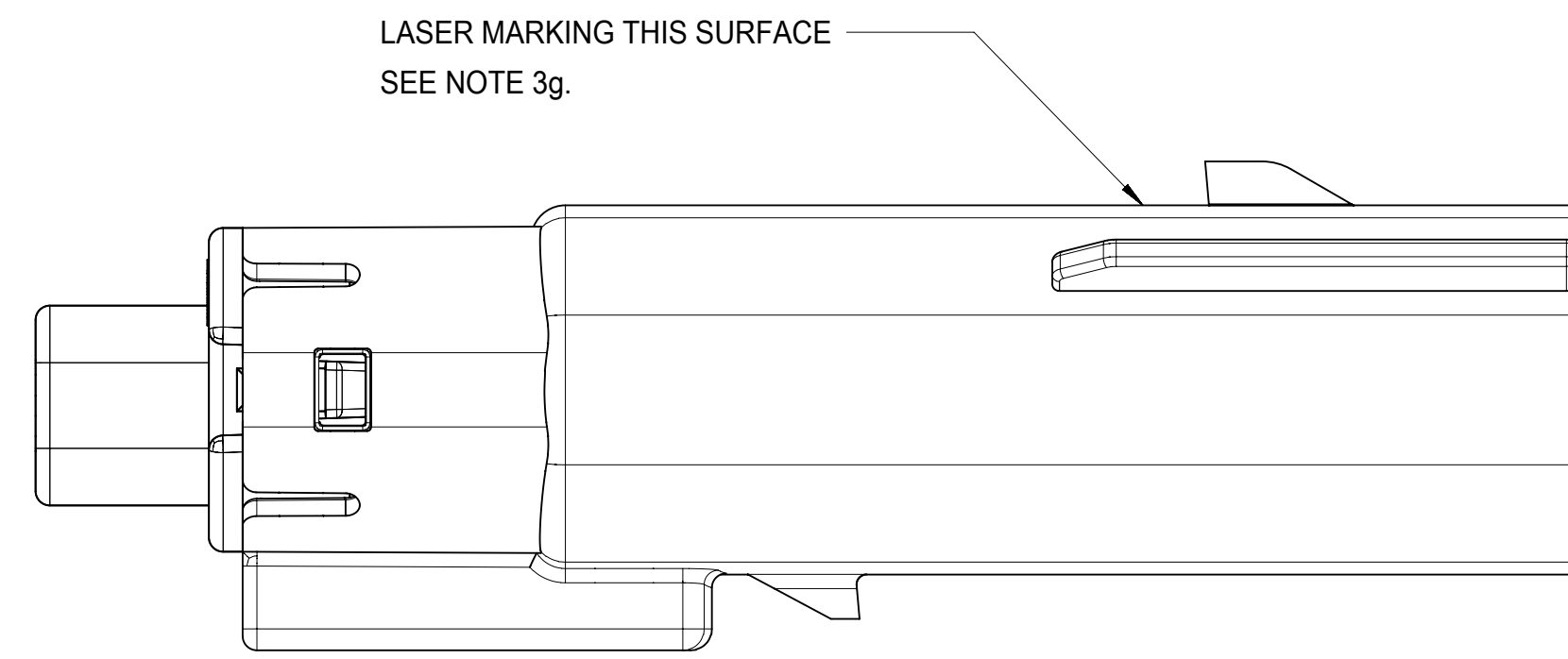


KEY C

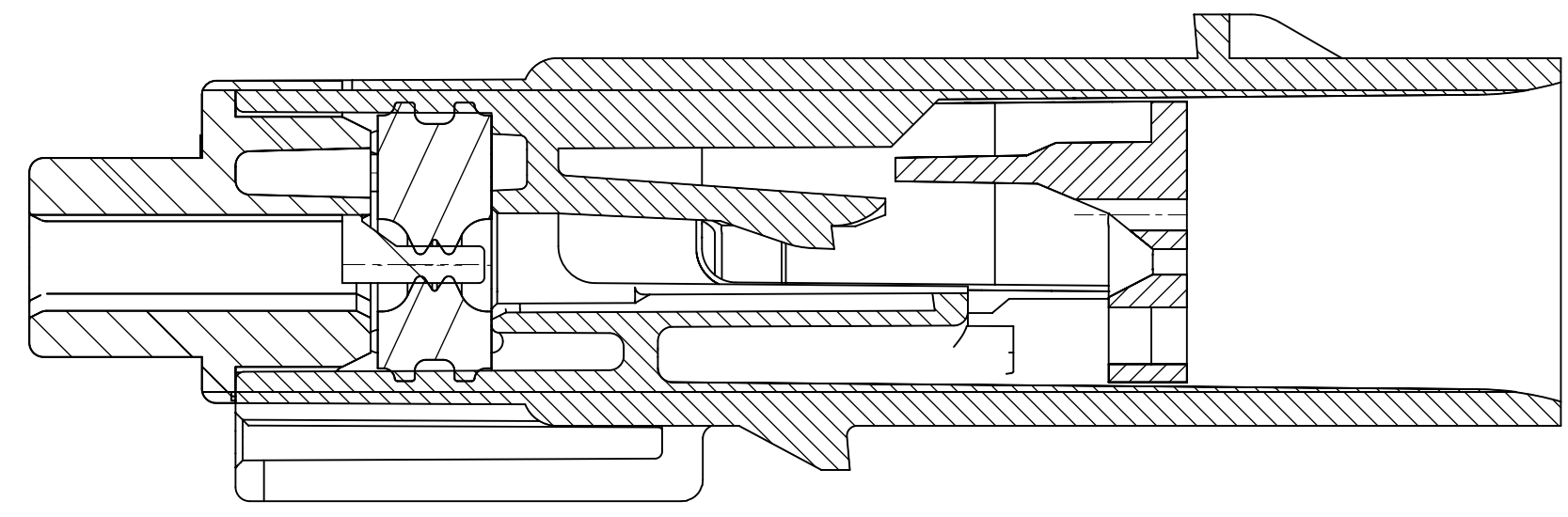


KEY D

THIS DRAWING CONTAINS INFORMATION THAT IS PROPRIETARY TO MOLEX ELECTRONIC TECHNOLOGIES, LLC AND SHOULD NOT BE USED WITHOUT WRITTEN PERMISSION									
DIMENSION UNITS		SCALE		CURRENT REV DESC: SEE REVISION TABLE					
mm		4:1							
GENERAL TOLERANCES (UNLESS SPECIFIED)				EC NO: 654141				MX150 1X6 BLADE	
ANGULAR TOL ± 3.0°				DRWN: SCV 2021/01/29				SEALED ASSEMBLY MAT SEAL	
4 PLACES ±				CHK'D: GGA 2021/02/03				PRODUCT CUSTOMER DRAWING	
3 PLACES ±				APPR: GGA 2021/02/03				DOCUMENT NUMBER	
2 PLACES ± 0.1				INITIAL REVISION:				DOC TYPE	
1 PLACE ± 0.3				DRWN: DGRIFITHS 2005/08/26				DOC PART	
0 PLACES ±				APPR: smarceau 2005/08/29				REVISION	
DRAFT WHERE APPLICABLE MUST REMAIN WITHIN DIMENSIONS				THIRD ANGLE PROJECTION		DRAWING		SERIES	
						D-SIZE		33481	
						MATERIAL NUMBER		CUSTOMER	
						SEE BOM		GENERAL MARKET	
								SHEET NUMBER	
								2 OF 5	

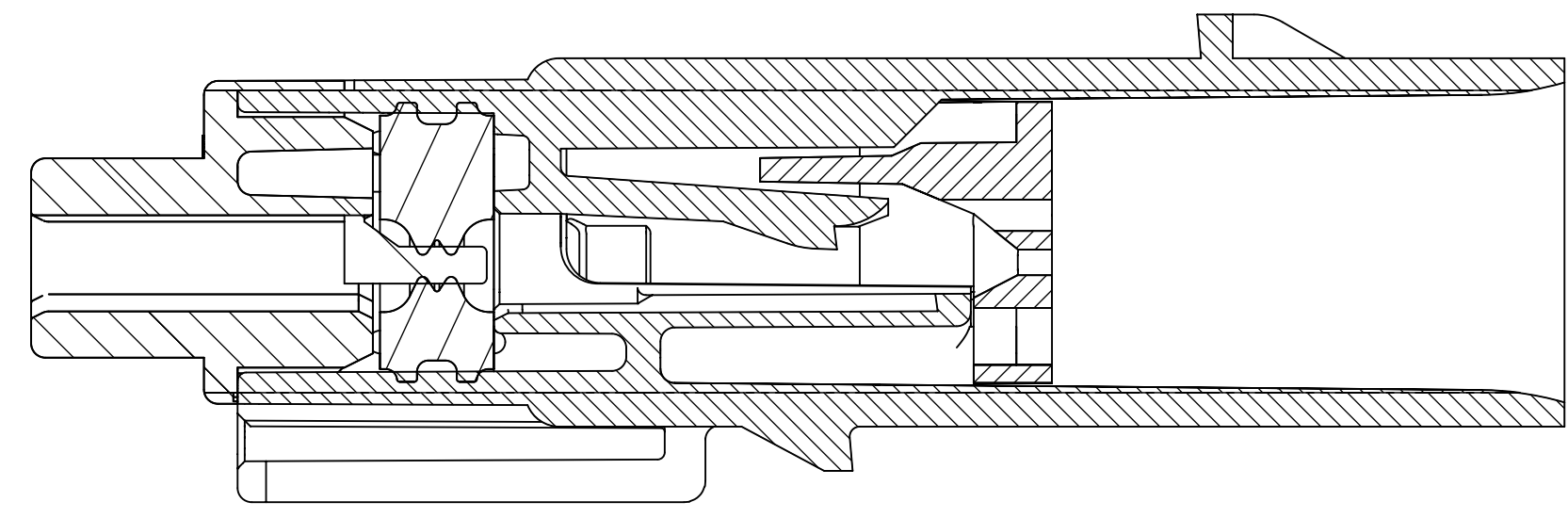


SECTION D-D



PRIMARY LOCK REINFORCEMENT (PLR) SHOWN IN PRE-STAGED POSITION

SECTION Z-Z



PRIMARY LOCK REINFORCEMENT (PLR) SHOWN IN FINAL-LOCK POSITION

SECTION Y-Y

THIS DRAWING CONTAINS INFORMATION THAT IS PROPRIETARY TO MOLEX ELECTRONIC TECHNOLOGIES, LLC AND SHOULD NOT BE USED WITHOUT WRITTEN PERMISSION

DIMENSION UNITS: mm SCALE: 4:1

GENERAL TOLERANCES (UNLESS SPECIFIED)

ANGULAR TOL ± 3.0°  
 4 PLACES ±  
 3 PLACES ±  
 2 PLACES ± 0.1  
 1 PLACE ± 0.3  
 0 PLACES ±

CURRENT REV DESC: SEE REVISION TABLE

EC NO: 654141  
 DRWN: SCV 2021/01/29  
 CHK'D: GGA 2021/02/03  
 APPR: GGA 2021/02/03  
 INITIAL REVISION:  
 DRWN: DGRIFITHS 2005/08/26  
 APPR: smarceau 2005/08/29

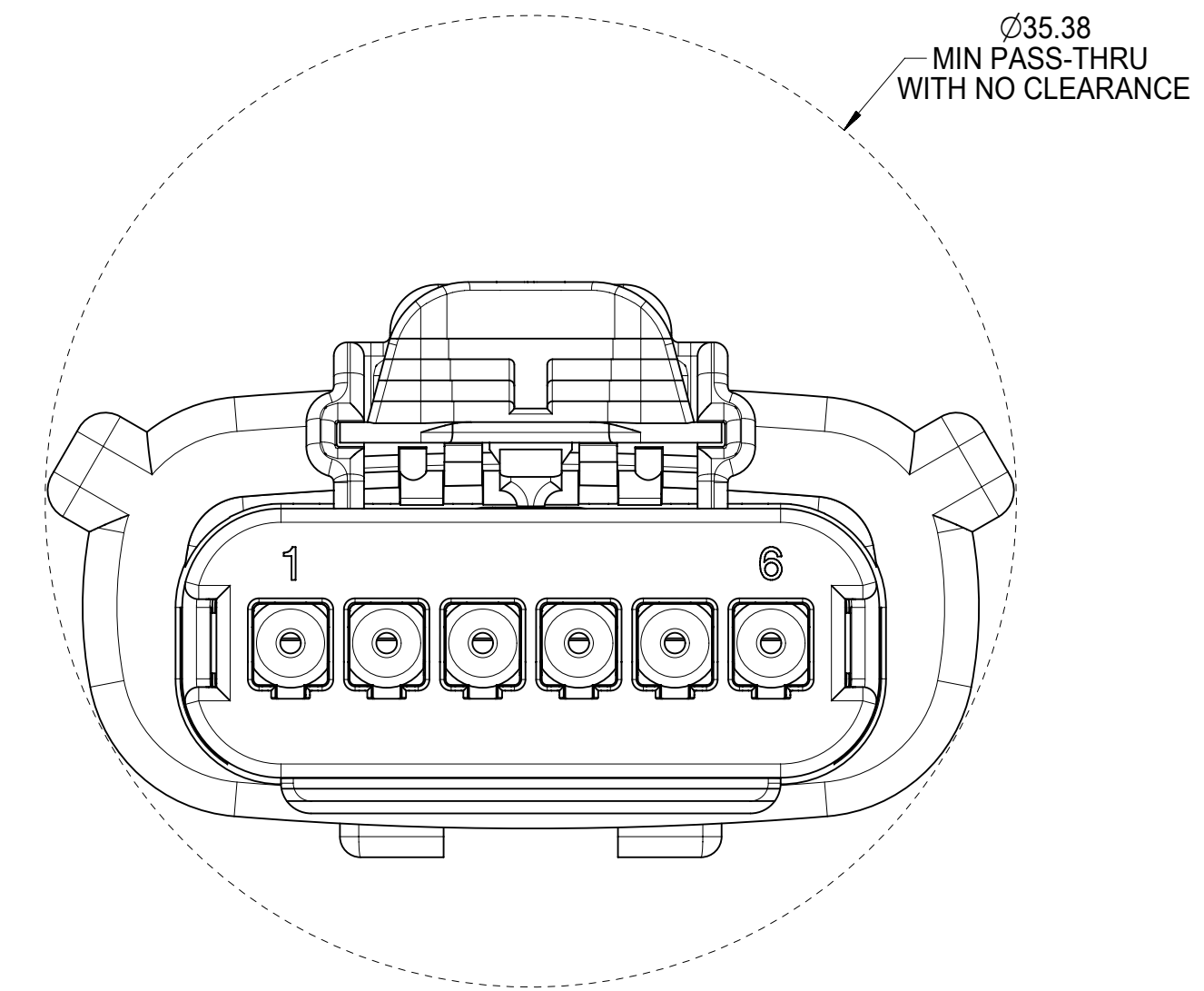
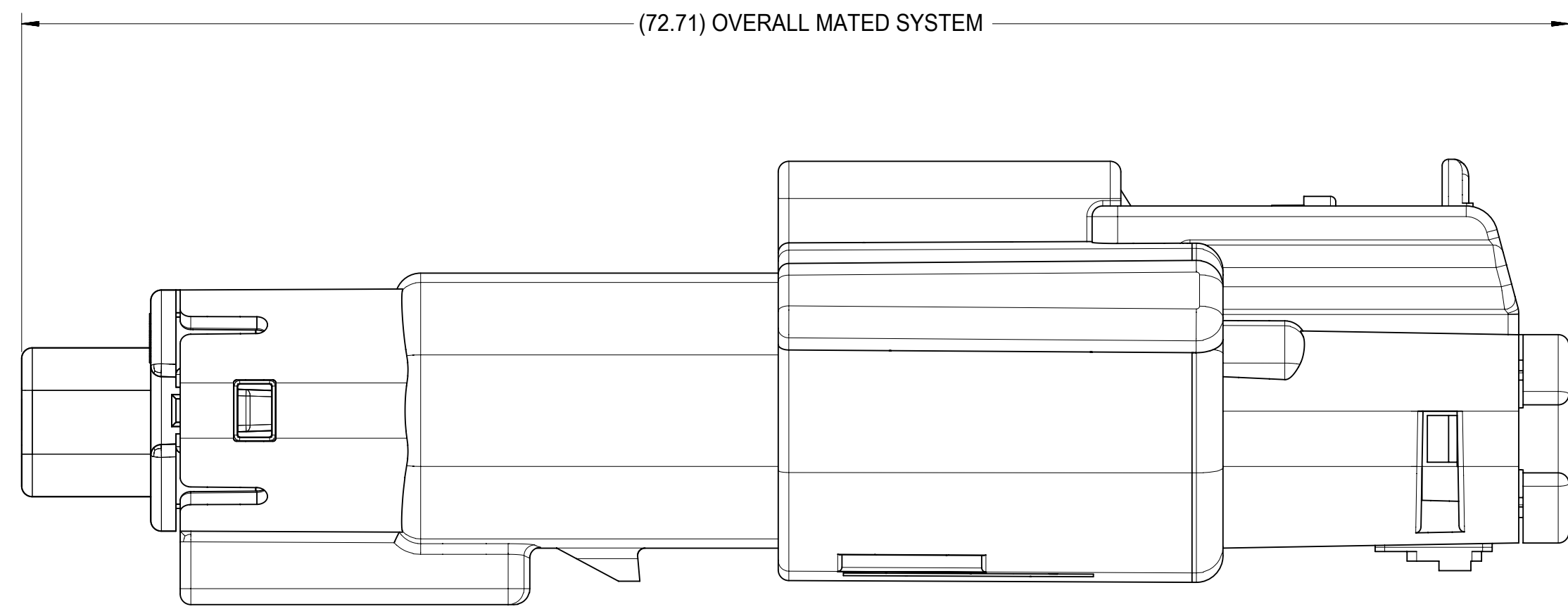


MX150 1X6 BLADE SEALED ASSEMBLY MAT SEAL

PRODUCT CUSTOMER DRAWING

DOCUMENT NUMBER	DOC TYPE	DOC PART	REVISION
SD-33481-061	PSD	001	V6

DRAFT WHERE APPLICABLE MUST REMAIN WITHIN DIMENSIONS	THIRD ANGLE PROJECTION	DRAWING	SERIES	MATERIAL NUMBER	CUSTOMER	SHEET NUMBER
		D-SIZE	33481	SEE BOM	GENERAL MARKET	3 OF 5


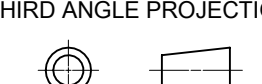


THIS DRAWING CONTAINS INFORMATION THAT IS PROPRIETARY TO MOLEX ELECTRONIC TECHNOLOGIES, LLC AND SHOULD NOT BE USED WITHOUT WRITTEN PERMISSION											
DIMENSION UNITS		SCALE		CURRENT REV DESC: SEE REVISION TABLE						<b>molex</b>	
mm		4:1									
GENERAL TOLERANCES (UNLESS SPECIFIED)				EC NO: 654141							
ANGULAR TOL ± 3.0°				4 PLACES ±		DRWN: SCV		2021/01/29		MX150 1X6 BLADE SEALED ASSEMBLY MAT SEAL	
				3 PLACES ±		CHK'D: GGA		2021/02/03			
				2 PLACES ± 0.1		APPR: GGA		2021/02/03		PRODUCT CUSTOMER DRAWING	
				1 PLACE ± 0.3		INITIAL REVISION:				DOCUMENT NUMBER	
				0 PLACES ±		DRWN: DGRIFITHS		2005/08/26		SD-33481-061	
						APPR: smarceau		2005/08/29		PSD 001 V6	
DRAFT WHERE APPLICABLE MUST REMAIN WITHIN DIMENSIONS				THIRD ANGLE PROJECTION		DRAWING		SERIES		MATERIAL NUMBER	
						D-SIZE		33481		SEE BOM	
										CUSTOMER	
										GENERAL MARKET	
										SHEET NUMBER	
										4 OF 5	

ASSEMBLY PART NUMBER	COLOR	KEYING OPTION	CAVITY TYPE & STATUS (X = PLUGGED)						STATUS	COMMENTS
			1	2	3	4	5	6		
33481-0601	BLACK	A							NOT RECOMMENDED	
33481-0602	LT.GRAY	B							NOT RECOMMENDED	
33481-0603	BROWN	C							NOT RECOMMENDED	NOT RECOMMENDED, SEE P/N 33481-0618
33481-0604	GREEN	D							NOT RECOMMENDED	NOT RECOMMENDED, SEE P/N 33481-0619
33481-0605	YELLOW	A							NOT RECOMMENDED	
33481-0606	BLACK	A						X	NOT RECOMMENDED	
33481-0607	LT.GRAY	B						X	NOT RECOMMENDED	
33481-0608	BROWN	C						X	NOT RECOMMENDED	
33481-0609	GREEN	D						X	NOT RECOMMENDED	
33481-0610	YELLOW	A						X	NOT RECOMMENDED	
33481-0611	BLACK	A	X					X	NOT RECOMMENDED	
33481-0612	LT.GRAY	B	X					X	NOT RECOMMENDED	
33481-0613	BROWN	C	X					X	NOT RECOMMENDED	
33481-0614	GREEN	D	X					X	NOT RECOMMENDED	
33481-0615	YELLOW	A	X					X	NOT RECOMMENDED	
33481-0616	BLACK	A	X	X	X	X	X	X	NOT RECOMMENDED	
33481-0617	BLACK	A						X	NOT RECOMMENDED	
33481-0618	DK.GRAY	C							NOT RECOMMENDED	
33481-0619	ST.GRAY	D							NOT RECOMMENDED	
33481-0620	BLACK	A			X				NOT RECOMMENDED	
33481-0621	ST.GRAY	D	X	X	X	X	X	X	NOT RECOMMENDED	
33481-0622	ST.GRAY	D	X					X	NOT RECOMMENDED	
33481-0623	BLACK	A	X		X			X	NOT RECOMMENDED	
33481-0624	BLACK	A						X	NOT RECOMMENDED	

ASSEMBLY PART NUMBER	COLOR	KEYING OPTION	CAVITY TYPE & STATUS (X = PLUGGED)						STATUS	COMMENTS
			1	2	3	4	5	6		
33481-6601	BLACK	A							SALEABLE	
33481-6602	LT.GRAY	B							SALEABLE	
33481-6603	BROWN	C							NOT RECOMMENDED	NOT RECOMMENDED, SEE P/N 33481-6618
33481-6604	GREEN	D							NOT RECOMMENDED	NOT RECOMMENDED, SEE P/N 33481-6619
33481-6605	YELLOW	A							SALEABLE	
33481-6606	BLACK	A						X	SALEABLE	
33481-6607	LT.GRAY	B						X	SALEABLE	
33481-6608	BROWN	C						X	NOT RECOMMENDED	
33481-6609	GREEN	D						X	NOT RECOMMENDED	
33481-6610	YELLOW	A						X	SALEABLE	
33481-6611	BLACK	A	X					X	SALEABLE	
33481-6612	LT.GRAY	B	X					X	SALEABLE	
33481-6613	BROWN	C	X					X	NOT RECOMMENDED	
33481-6614	GREEN	D	X					X	NOT RECOMMENDED	
33481-6615	YELLOW	A	X					X	SALEABLE	
33481-6616	BLACK	A	X	X	X	X	X	X	SALEABLE	
33481-6617	BLACK	A						X	SALEABLE	
33481-6618	DK.GRAY	C							SALEABLE	
33481-6619	ST.GRAY	D							SALEABLE	
33481-6620	BLACK	A			X				SALEABLE	
33481-6621	ST.GRAY	D	X	X	X	X	X	X	SALEABLE	
33481-6622	ST.GRAY	D	X					X	SALEABLE	
33481-6623	BLACK	A	X		X			X	SALEABLE	
33481-6624	BLACK	A						X	SALEABLE	
33481-6625	BLACK	A		X	X	X	X		SALEABLE	
33481-6626	BLACK	A				X	X		SALEABLE	

V6  
V6

THIS DRAWING CONTAINS INFORMATION THAT IS PROPRIETARY TO MOLEX ELECTRONIC TECHNOLOGIES, LLC AND SHOULD NOT BE USED WITHOUT WRITTEN PERMISSION									
DIMENSION UNITS	SCALE	CURRENT REV DESC: SEE REVISION TABLE							
mm	1:1	 <p>MX150 1X6 BLADE SEALED ASSEMBLY MAT SEAL</p> <p>PRODUCT CUSTOMER DRAWING</p>							
GENERAL TOLERANCES (UNLESS SPECIFIED)									
ANGULAR TOL	± 3.0°								
4 PLACES	±								
3 PLACES	±								
2 PLACES	± 0.1	EC NO: 654141	2021/01/29		DRWN: SCV CHK'D: GGA APPR: GGA				
1 PLACE	± 0.3	INITIAL REVISION:							
0 PLACES	±	DRWN: DGRIFITHS							
DRAFT WHERE APPLICABLE MUST REMAIN WITHIN DIMENSIONS		THIRD ANGLE PROJECTION	DRAWING	SERIES	MATERIAL NUMBER	CUSTOMER	SHEET NUMBER		
			D-SIZE	33481	SEE BOM	GENERAL MARKET	5 OF 5		