

PCM 125/60 G



Sample image

Order symbol: PCM 125/60 G

Product nbr: 6016307

UL Code: 6416307

UL Name: UL PCM 125/60 G

Description: Enclosure. PC

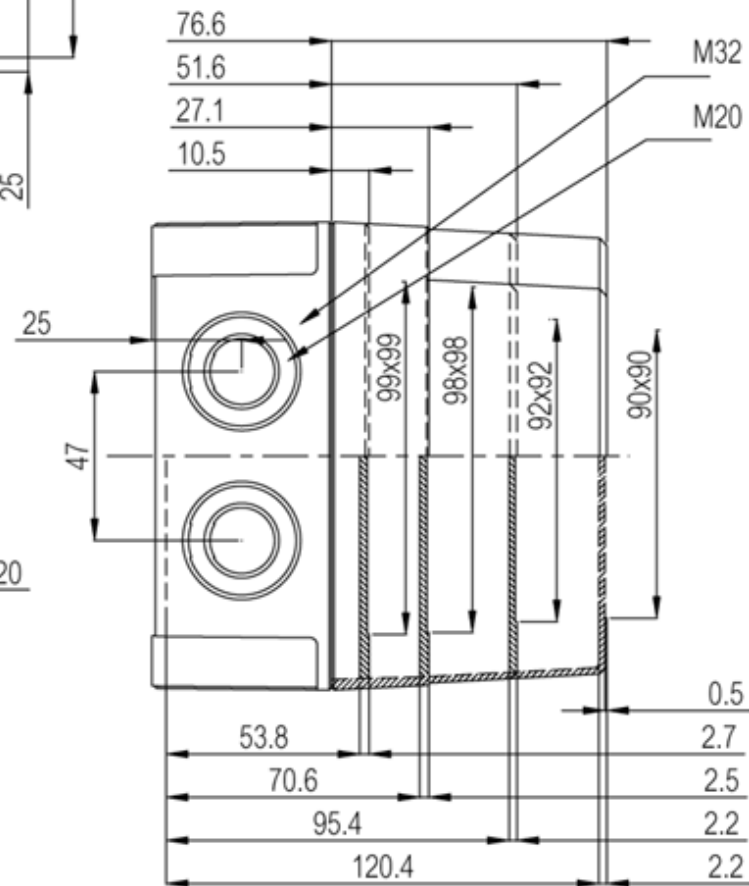
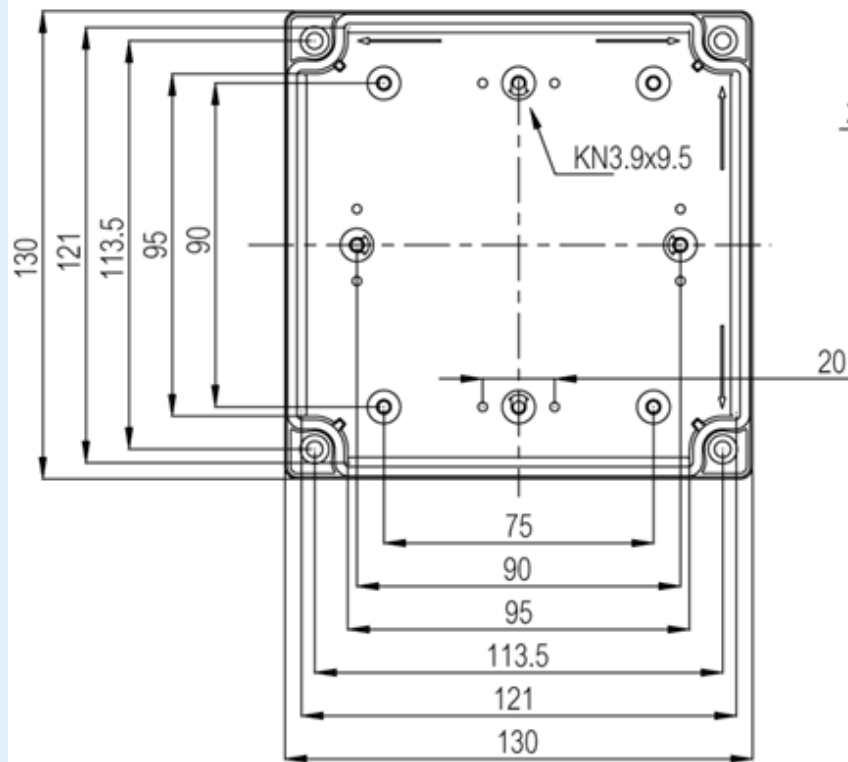
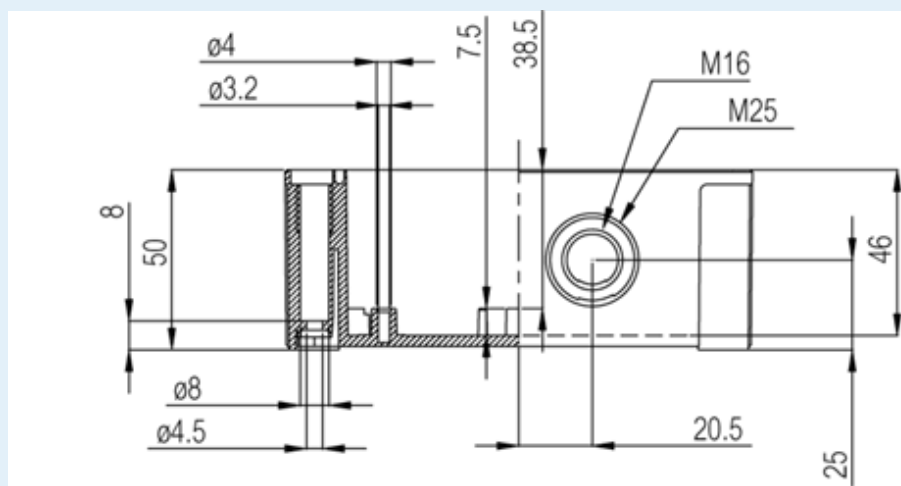
Remarks: Opaque cover

Including: Base with TPE gasket, screws for mounting plate/DIN-rail and cover with polyamide cover screws.

EAN: 6418074038036

El. number:

- Finland: 3421635
- Denmark: 8212027064
- Sweden: 2535312



Dimensions: **Height** **Width** **Depth**

mm: 130 130 60
 inch:

Materials:

Material: Polycarbonate
 Base colour: RAL 7035 -light grey
 Cover colour: RAL 7035 -light grey
 Gasket material: Polyurethane

Temperatures:

Temperature °C (short term):: -40 ... 120
 Temperature °C (continuous): -40 ... 80
 Temperature °F (short term): -40 ... 250
 Temperature °F (continuous): -40 ... 175

Accessories:

MIV 10 DIN-35 Mounting rail. for enclosures:
 (100 x 35 x 1)
 HFP 130 Front panel hinge series for FP A 100-125
 FP A 125/130 Front panel (Aluminum). for enclosures:
 (120 x 112 x 1)
 MIN 10 DIN-15 Mounting rail. for enclosures:
 (100 x 15 x 1)
 FP 22046 Mounting foot kit (4 pcs)
 MIV 125 Back Panel (Galvanized steel). for enclosures:
 (98 x 98 x 1)

Rating:

Ingress protection (EN 60529): IP66; IP67;
 Impact Resistance (EN 62262): IK08;
 Electrical insulation: Totally insulated
 Halogen free (DIN/VDE 0472, Part 815): 1

UV resistance:	UL 508
Flammability Rating:	UL 746C 5"
Glow Wire Test (IEC 695-2-1) °C:	960 °C
NEMA Class	

Certificates:

Certificate FI 40847