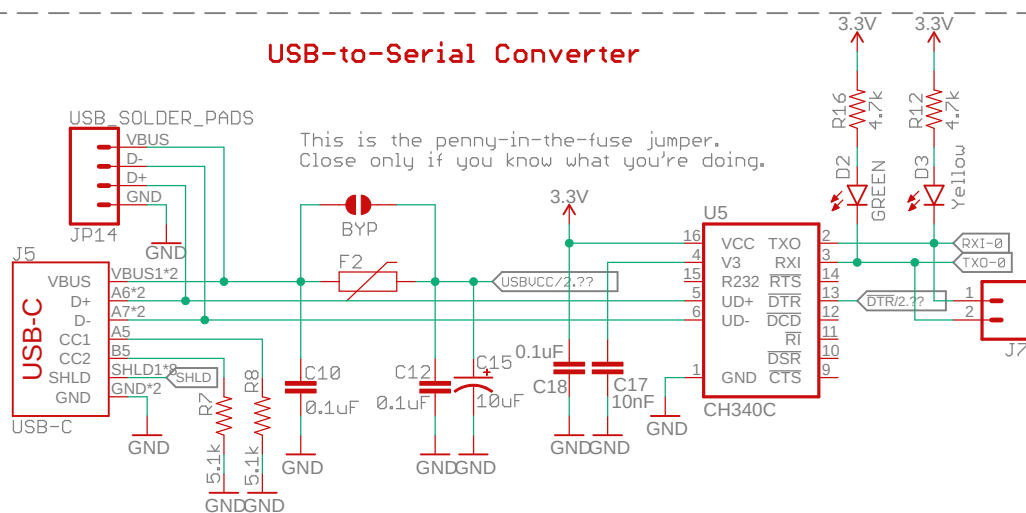


USB-to-Serial Converter



Released under the Creative Commons Attribution Share-Alike 4.0 License
<https://creativecommons.org/licenses/by-sa/4.0/>

TITLE: BlackBoard-Artemis-ATP

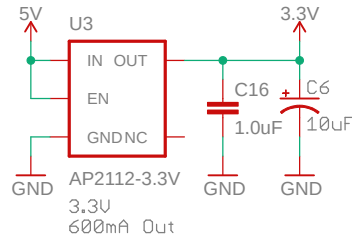
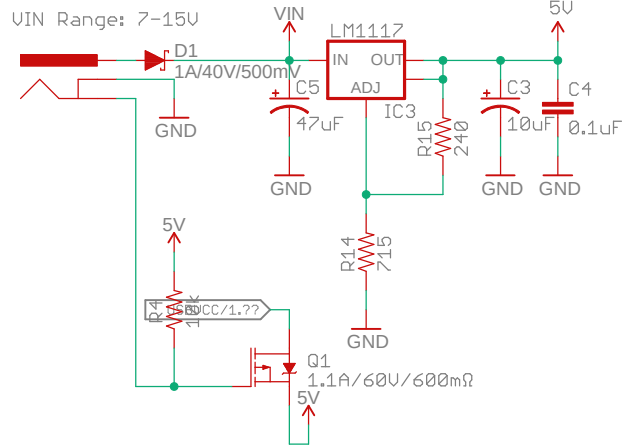
Design by: N. Seidle

REV: X02

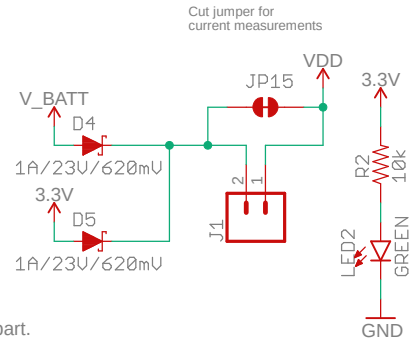
Date: 6/20/2019 11:50 AM

Sheet: 1/2

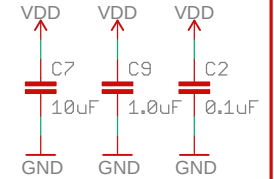
Power Supplies



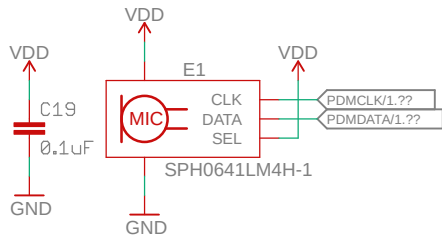
Note: This is a 3.3V part.
Do not feed more than 3.5V
into V_BATT.



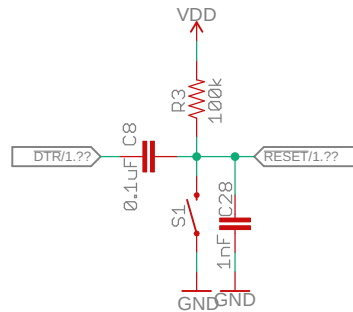
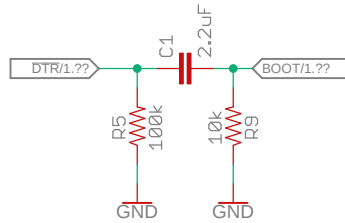
Artemis Decoupling



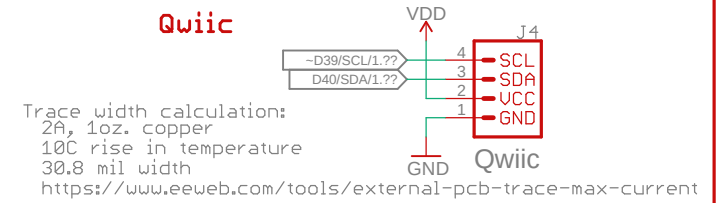
Microphone



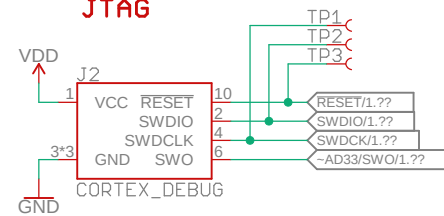
Bootload Reset Circuit



Qwiic



JTAG



Released under the Creative Commons
Attribution Share-Alike 4.0 License
<https://creativecommons.org/licenses/by-sa/4.0/>

TITLE: BlackBoard-Artemis-ATP

Design by: Nobody

REV:
>REV

Date: 6/20/2019 11:50 AM

Sheet: 2/2