

6

5

4

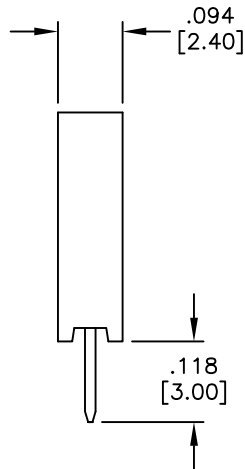
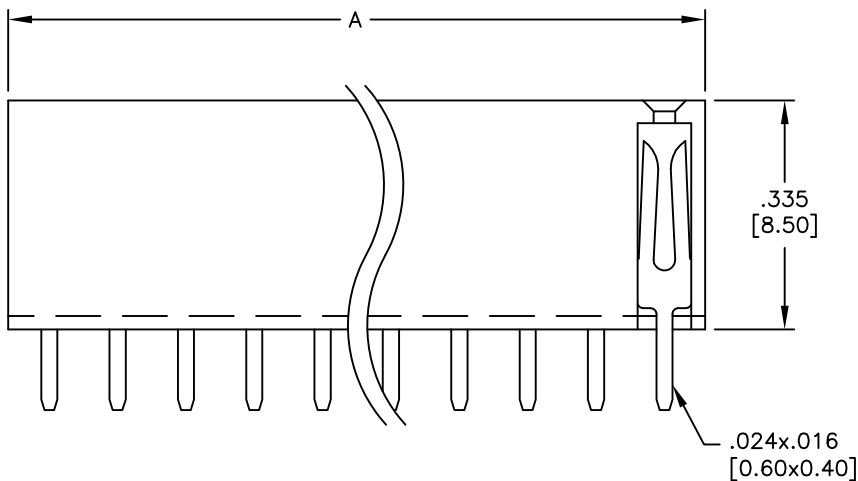
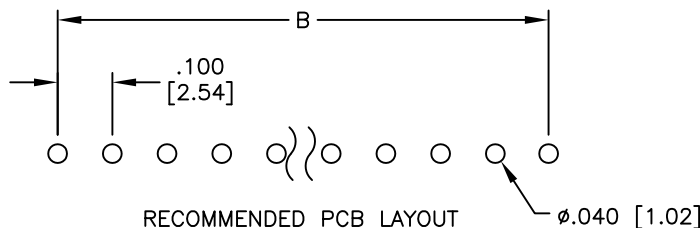
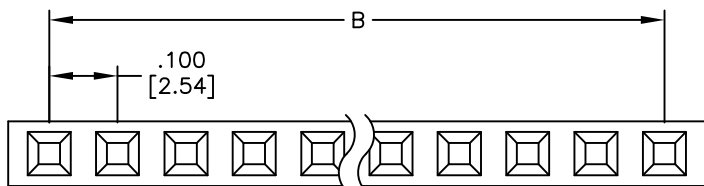
3

2

1

APPROVED: \_\_\_\_\_  
DATE: \_\_\_\_\_ TITLE: \_\_\_\_\_

Rev	AWO #	Description	Date	Appr
-	7723	RELEASED	5/31/05	
A	7723	UPDATED DRAWING	3/8/16	HR



**SPECIFICATIONS:**

Material:  
 Insulator: PBT, glass reinforced, rated UL 94V-0  
 Insulator color: Black  
 Contacts: Brass  
 Plating:  
 Gold flash over Nickel underplate overall  
 Electrical:  
 Current rating: 3 Amps max.  
 Contact resistance: 20 mohms max. initial  
 Insulation resistance: 5,000 Mohms min.  
 Temperature Rating:  
 Operating temperature: -40°C to +105°C  
 Environmental:  
 Lead free, RoHS compliant



Positions: 02 thru 40

A = .100 [2.54] x No. of Positions + .020 [0.50]

B = .100 [2.54] x No. of Spaces

UNLESS OTHERWISE SPECIFIED  
 ALL DIMENSIONS ARE INCHES [MM]  
 TOLERANCES: EXCEPT AS NOTED

INCHES		HOLES	
.X	± .10	∅X	± .10
.XX	± .020	∅XX	± .015
.XXX	± .015	∅XXX	± .010

**ADAM TECH**

909 Rahway Avenue, Union, NJ 07083  
Phone: 908-687-5000 Fax: 908-687-5710

TITLE: .100 [2.54] SINGLE ROW RECEPTACLE STRIP  
.335 [8.50] HEIGHT

APPROVALS		DATE
DRAWN	SS	5/31/05
CHECKED		
APPROVED		

SIZE	PART NO.	REV.
X	RS1-XX-G	A
REF: S00059T	SCALE: NTS	SHEET 1 OF 1

6

5

4

3

2

1