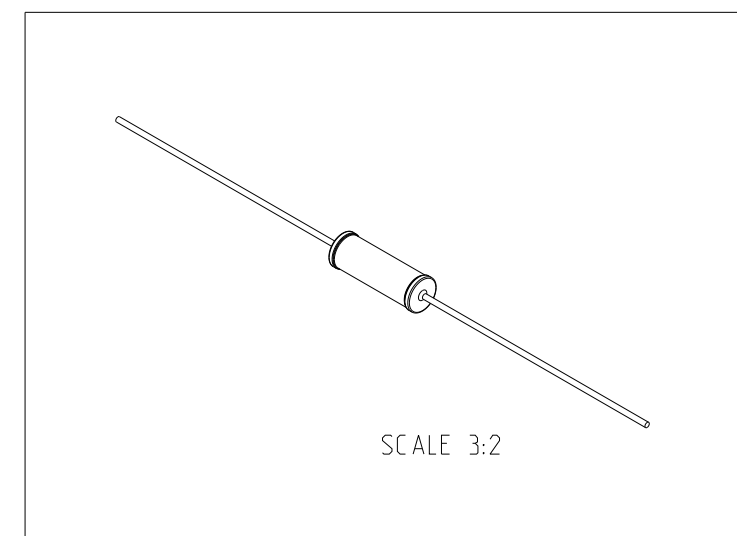
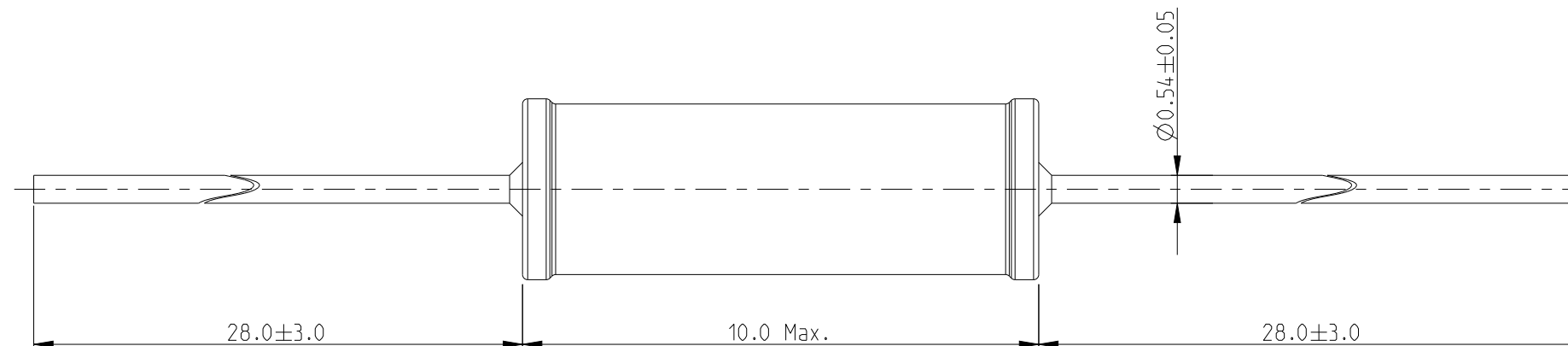
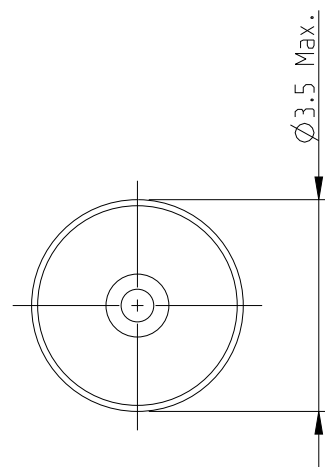


REVISIONS

P	LTR	DESCRIPTION	DATE	DWN	APVD
	BA	NEW RELEASE	23-MAR-10	MRS	St.P
	BB	CLARIFICATION OF DIMENSIONS	18JAN2023	DM	AP

FOR FURTHER INFORMATION SEE DATA SHEET FOR SERIES LR, METAL FILM FIXED RESISTORS



RoHS Compliant

THIS DRAWING IS A CONTROLLED DOCUMENT.

DWN	23-MAR-10
MAHARUDRA	
CHK	23-MAR-10
ALLAN.P	
APVD	23-MAR-10
STEPHEN.P	
PRODUCT SPEC	
APPLICATION SPEC	
WEIGHT	-

NAME METAL FILM FIXED RESISTORS SERIES LR2



DIMENSIONS:	TOLERANCES UNLESS OTHERWISE SPECIFIED:
mm	
	0 PLC ±0.2
	1 PLC ±0.1
	2 PLC ±-
	3 PLC ±-
	4 PLC ±-
ANGLES	±5°
MATERIAL	FINISH
-	-

SIZE	CAGE CODE	DRAWING NO	RESTRICTED TO
A3	00779	C=1622729	-
CUSTOMER DRAWING		SCALE 8:1	SHEET 1 OF 1 REV BB