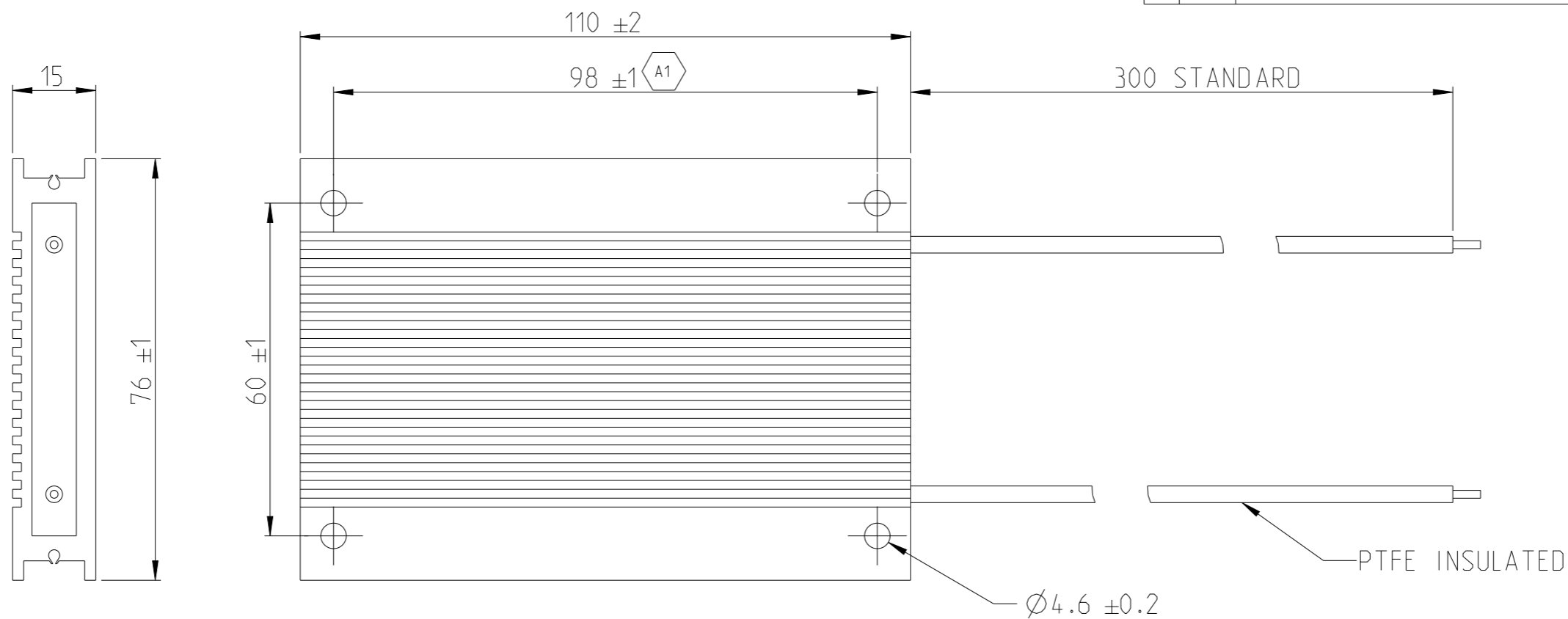
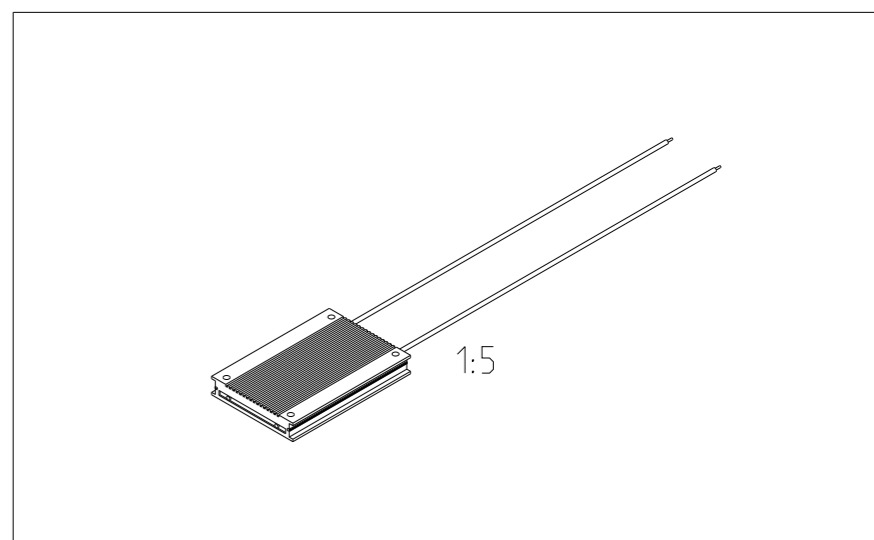




REVISIONS

P	LTR	DESCRIPTION	DATE	DWN	APVD
	A	INITIAL RELEASE	04MAR2020	SR	AP
	A1	MOUNTING HOLE PITCH TOLERANCE CHANGE	21SEP2022	DM	AP



NOTE 1: FOR FURTHER INFORMATION PLEASE SEE DATASHEET FOR ALUMINIUM HOUSED BRAKING RESISTOR - TYPE HCF SERIES



THIS DRAWING IS A CONTROLLED DOCUMENT.		DWN	04MAR2020	 TE Connectivity	
		CHK	04MAR2020		
		APVD	04MAR2020		
		PRODUCT SPEC	A. PILE		
DIMENSIONS: mm		TOLERANCES UNLESS OTHERWISE SPECIFIED:		NAME ALUMINIUM HOUSED BRAKING RESISTOR -TYPE HCF110	
		0 PLC	±	SIZE A3	
		1 PLC	±	CAGE CODE 00779	
		2 PLC	±	DRAWING NO C=2176443	
		3 PLC	±	RESTRICTED TO -	
		4 PLC	±		
		ANGLES	±		
MATERIAL -		FINISH -		WEIGHT -	
				CUSTOMER DRAWING	
				SCALE 1:1 SHEET 1 OF 2 REV A1	

REVISIONS

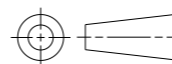
P	LTR	DESCRIPTION	DATE	DWN	APVD
	-	SEE SHEET 1	-	-	-

SCHEDULE

TCPN	CATALOGUE NUMBER	PART DESCRIPTION	PART STATUS
2176443-1	HCF110J6R8J	HCF110 100W 6R8 5% LEAD	PRODUCTION
2176443-2	HCF110J10RJ	HCF110 100W 10R 5% LEAD	PRODUCTION
2176443-3	HCF110J22RJ	HCF110 100W 22R 5% LEAD	PRODUCTION
2176443-4	HCF110J33RJ	HCF110 100W 33R 5% LEAD	PRODUCTION
2176443-5	HCF110J47RJ	HCF110 100W 47R 5% LEAD	PRODUCTION
2176443-6	HCF110J68RJ	HCF110 100W 68R 5% LEAD	PRODUCTION
2176443-7	HCF110J100RJ	HCF110 100W 100R 5% LEAD	PRODUCTION
2176443-8	HCF110J150RJ	HCF110 100W 150R 5% LEAD	PRODUCTION
2176443-9	HCF110J220RJ	HCF110 100W 220R 5% LEAD	PRODUCTION
1-2176443-0	HCF110J330RJ	HCF110 100W 330R 5% LEAD	PRODUCTION
1-2176443-1	HCF110J470RJ	HCF110 100W 470R 5% LEAD	PRODUCTION
1-2176443-2	HCF110J680RJ	HCF110 100W 680R 5% LEAD	PRODUCTION
1-2176443-3	HCF110J1K0J	HCF110 100W 1K0 5% LEAD	PRODUCTION

THIS DRAWING IS A CONTROLLED DOCUMENT.

DIMENSIONS:
mm



TOLERANCES UNLESS OTHERWISE SPECIFIED:

0 PLC	±
1 PLC	±
2 PLC	±
3 PLC	±
4 PLC	±
ANGLES	±
FINISH	-

MATERIAL
-

DWN SUPREETH R 04MAR2020

CHK A. PILE 04MAR2020

APVD A. PILE 04MAR2020

PRODUCT SPEC

APPLICATION SPEC

WEIGHT

CUSTOMER DRAWING



TE Connectivity

NAME ALUMINIUM HOUSED BRAKING RESISTOR
-TYPE HCF110

SIZE CAGE CODE DRAWING NO RESTRICTED TO

A3 00779 C=2176443

SCALE 1:1 SHEET 2 OF 2 REV A1