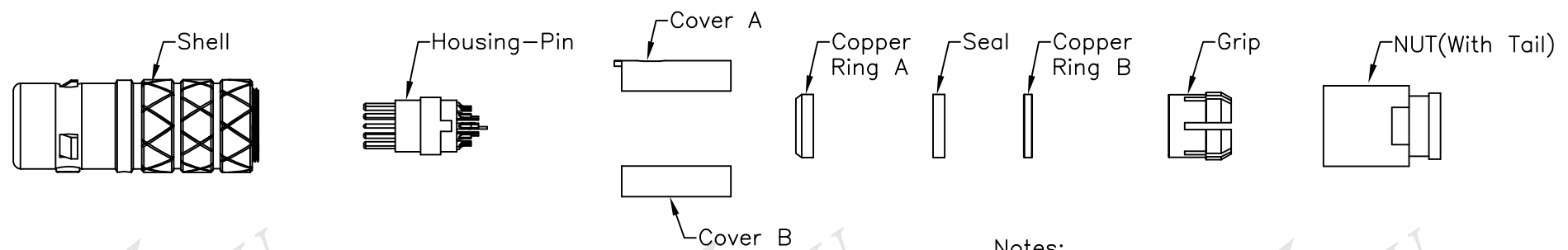
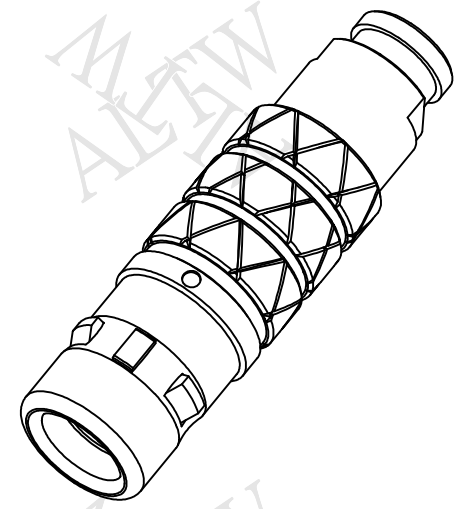
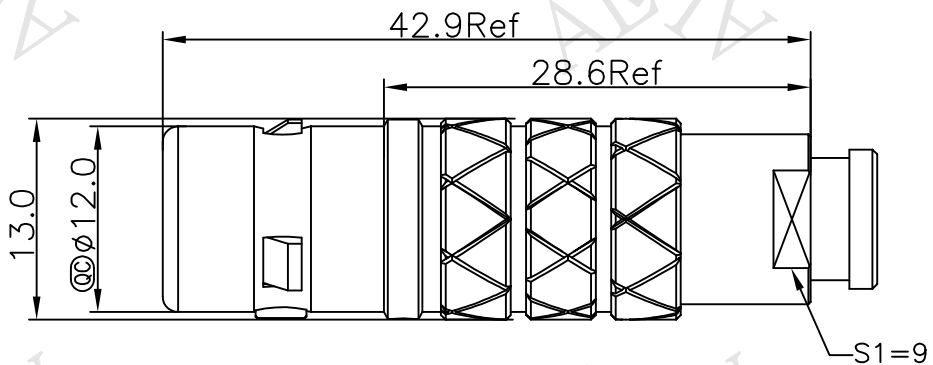


REV. 01	DESCRIPTION New Initial.

THIS DOCUMENT IS SUBJECT TO CHANGE WITHOUT NOTICE. IT IS CONFIDENTIAL AND A PROPERTY OF Amphenol LTW. DISCLOSURE TO THIRD PARTY HAS TO BE AUTHORIZED BY Amphenol LTW.



- Notes:
- \* @ Important Dimensions To Check.
  - \* Waterproof Rate: IP68  
(Mated, by Applying O-ring and Potting Material)
  - \* Male Pin: Copper Alloy, Gold Plated.

UNIT:mm TOLERANCE ±0.5MM	TITLE FLO 1K FI CONNECTOR		<b>Amphenol LTW</b> 安費諾亮泰企業股份有限公司	ITEM NO FLKC-XXFGMS-XCP-2XX	DRAWN BY Ouyang	DATE 2018/09/04
	SCALE Free	SHEET 1 OF 2		DWG NO FLKC-XXFGMS-XCP-2XX	CHECKED BY Mafei	DATE 2018/09/04
REV. A	SIZE A4	@ :Inspection Item	CUSTOMER ALTW	APPROVED BY Jerry	DATE 2018/09/04	

THIS DOCUMENT IS SUBJECT TO CHANGE WITHOUT NOTICE. IT IS CONFIDENTIAL AND A PROPERTY OF Amphenol LTW. DISCLOSURE TO THIRD PARTY HAS TO BE AUTHORIZED BY Amphenol LTW.

1K-SERIES CABLE COLLET(CABLE OD)			
CABLE CLAMP SET		CABLE DIA RANGE	
TYPE	CODE ①	MAX	MIN
FLKC-XXFGMS-XCP-2XX	06	4.0	3.8
	08	4.6	4.4
	10	5.1	4.8
	12	5.5	5.3
	13	6.1	5.8

FLKC-XXFGMS-XCP-2XX



KEY POINT					
CODE ②	G	A	B	C	D
	0°	30°	45°	60°	95°
GRAPHIC					

PIN CONFIGURATION (Solder Definition) ③										
GRAPHIC										
	2 PIN	3 PIN	4 PIN	5 PIN	6 PIN	7 PIN	8 PIN	10 PIN	14 PIN	16 PIN

UNIT:mm		TITLE	FLO 1K FI CONNECTOR		<h1>Amphenol LTW</h1> <p>安費諾亮泰企業股份有限公司</p>	ITEM NO	FLKC-XXFGMS-XCP-2XX	DRAWN BY	Ouyang	DATE	2018/09/04	
TOLERANCE	±0.5MM	SCALE	Free	SHEET		2 OF 2	DWG NO	FLKC-XXFGMS-XCP-2XX	CHECKED BY	Mafei	DATE	2018/09/04
		REV.	A	SIZE		A4	CUSTOMER	ALTW	APPROVED BY	Jerry	DATE	2018/09/04