

PLEASE CHECK WWW.MOLEX.COM FOR LATEST PART INFORMATION

Part Number: [0737711100](#)
Status: **Active**
Overview: [HDM Backplane Connector System](#)
Description: HDM Board-to-Board Stacking Header, High Rise Vertical, SMC, Press-Fit, Guide Pin Option, Keying Option A, 144 Circuits, Stack Height 15.05mm

Documents:

3D Model	Product Specification PS-73780-999-001 (PDF)
Drawing (PDF)	Packaging Specification PK-70873-0870-001 (PDF)
3D Model (PDF)	RoHS Certificate of Compliance (PDF)

Agency Certification

CSA	LR19980
UL	E29179

General

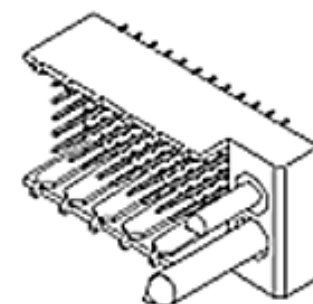
Product Family	Backplane Connectors
Series	73771
Application	Midplane
Component Type	PCB Header
Overview	HDM Backplane Connector System
Product Name	HDM
UPC	800755029048

Physical

Circuits (Loaded)	144
Circuits (maximum)	144
Color - Resin	Black
Durability (mating cycles max)	250
Flammability	94V-0
Guide to Mating Part	Yes
Keying to Mating Part	Yes
Material - Metal	Phosphor Bronze, Stainless Steel
Material - Plating Mating	Gold
Material - Plating Termination	Tin-Lead
Material - Resin	High Temperature Thermoplastic
Net Weight	28.295/g
Number of Columns	24
Number of Pairs	Open Pin Field
Number of Rows	6
Orientation	Vertical
PC Tail Length	3.50mm
PCB Locator	No
PCB Retention	Yes
PCB Thickness - Recommended	2.50mm
Packaging Type	Tube
Pitch - Mating Interface	2.00mm
Plating min - Mating	0.762µm
Plating min - Termination	0.381µm
Polarized to PCB	No
Stackable	Yes
Surface Mount Compatible (SMC)	Yes
Temperature Range - Operating	-55° to +105°C
Termination Interface: Style	Through Hole - Compliant Pin

Electrical

Current - Maximum per Contact	1.0A
-------------------------------	------



Series image - Reference only

EU ELV

Not Relevant

EU RoHS

Compliant

REACH SVHC

Not Contained Per -
D(2021)4569-DC (8
July 2021)

Halogen-Free

Status

Low-Halogen

For more information, please visit [Contact US](#)

China ROHS

ELV

RoHS Phthalates

China RoHS

Green Image

Not Relevant

Not Contained

Search Parts in this Series

[73771](#) Series

Mates With

[73632](#) HDM+ Board-to-Board
Daughterboard Receptacle, [73780](#) HDM
Board-to-Board Daughtercard Receptacle

Application Tooling | FAQ

Tooling specifications and manuals are found by selecting the products below. Crimp Height Specifications are then contained in the Application Tooling Specification document.

Global

Description	Product #
Extraction Tool	621001000

Data Rate 1.0 Gbps
Voltage - Maximum 250V AC

Material Info

Reference - Drawing Numbers

Packaging Specification PK-70873-0870-001
Product Specification PS-73780-999-001
Sales Drawing SD-73771-001-001, SD-73771-001-002

This document was generated on 10/14/2021

PLEASE CHECK WWW.MOLEX.COM FOR LATEST PART INFORMATION