

**Materials**

1. Shell, brass, nickel plated
2. Pins 5 - 9, brass, 5 μ" gold and tin plating
3. Pins 1 - 4, phosphor bronze, 5 μ" gold and tin plating
4. Insulator, PBT, blue

**Electrical**

Rated voltage: 30 Vdc  
 Rated current: 3 A  
 Dielectric strength: 1 min @ 500 Vac  
 Insulation resistance: 500 MΩ @ 500 Vdc  
 Contact resistance: 50 mΩ or less

**Mechanical**

Insertion force: 3.5 kgf maximum  
 Withdrawal force: 1.0 kgf minimum  
 Durability: 1500 cycle minimum life, unloaded; less than 100 mΩ contact resistance, minimum 100 MΩ insulation resistance  
 Terminal strength: 0.3 kgf in any direction without damage or looseness

**Soldering**

Solderability: 75% minimum coverage when terminals dipped 2 mm in 245 ±5 °C solder bath for 3 ±0.5 seconds  
 Solder bath durability: no deformation when immersed in 255 ±5 °C up to surface of the board for 5 seconds or less  
 Solder iron durability: no deformation when exposed to 350 ±10 °C for 3 ±0.5 seconds

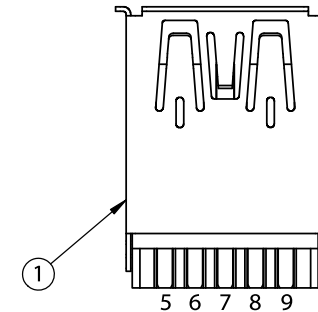
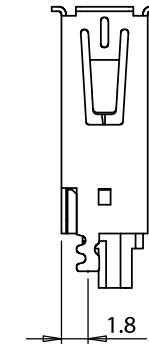
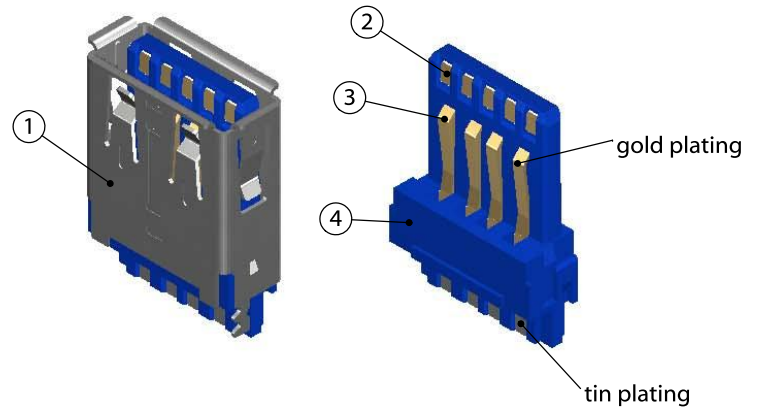
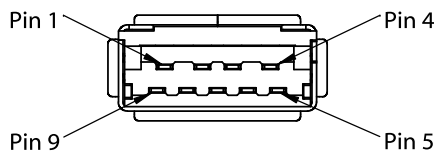
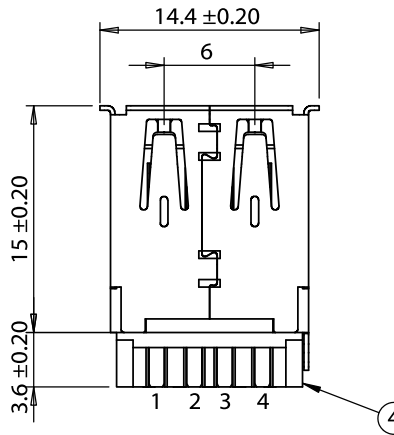
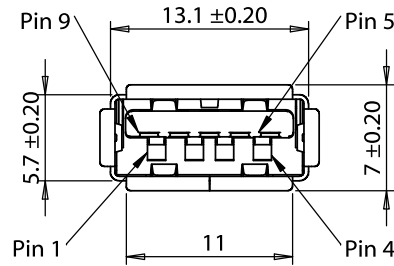
**Environmental**

Cold test: -40 ±3 °C for 48 hours without deformation  
 Heat test: 85 ±2 °C for 48 hours without deformation  
 Humidity test: 40 ±2 °C and humidity between 90 and 98 % for 48 hours without deformation

**Operating range**

-40 ~ 85 °C

**USB A 3.0 jack molding style**



| Revision: | Date:      | Description:                   |
|-----------|------------|--------------------------------|
| A         | 12/15/2015 | Initial release                |
| A1        | 07/27/2018 | Corrected operating temp range |
|           |            |                                |
|           |            |                                |

Prepared: **GL**  
Digitally signed by GL  
 Date: 2018.08.06  
 09:18:05 -07'00'

Verified: **RS**  
Digitally signed by RS  
 Date: 2018.08.09  
 09:07:44 -07'00'

Dimensions are in millimeters.  
 Tolerances:  
 X: ± 0.5 mm  
 X.X: ± 0.3 mm  
 X.XX: ± 0.05 mm

Notes:  
 RoHS compliant

Function test: no open, no short circuit, no intermittent

Description:  
 Connector, USB A 3.0 Jack, molding style, nickel shell, dual row terminals, blue insulator, tray

**TENSILITY**

tel 1.541.323.3228 800 877.670.7118  
 fax 1.541.323.4202 web tensility.com

|            |                       |
|------------|-----------------------|
| Size: A    | Part number: 50-00468 |
| Scale: 2:1 | Sheet 1 of 1          |