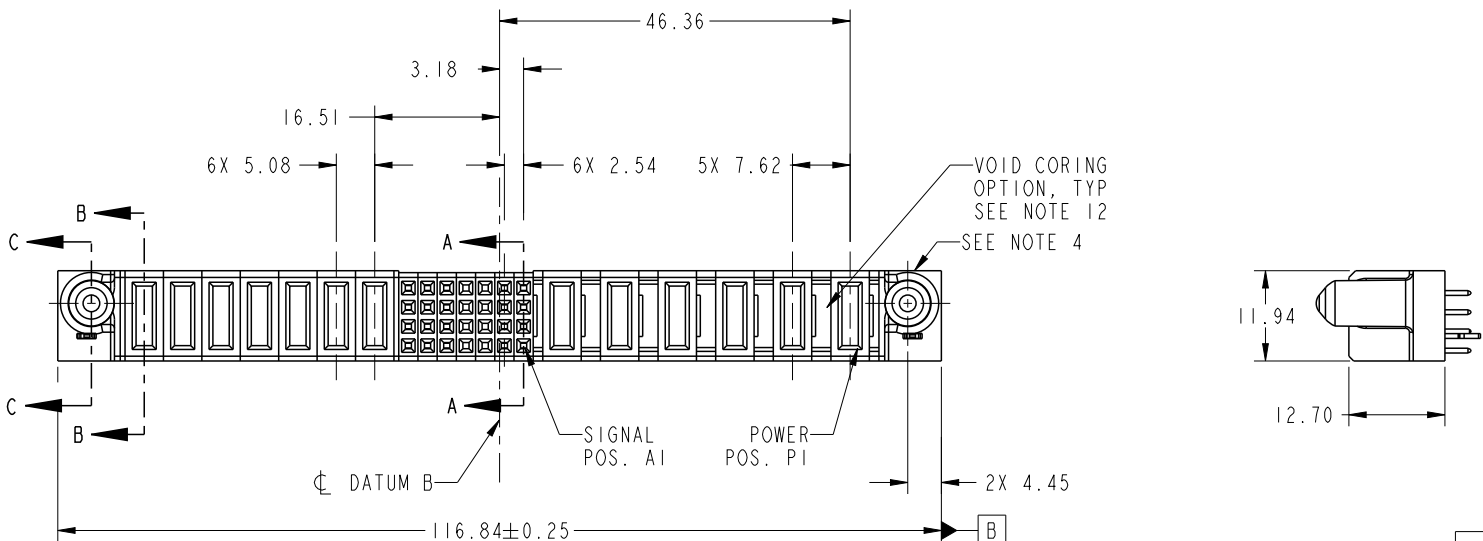


| | | | | | | | | | | | | | | | | | | | | |
|---------------------------------------|--------------------------|-------|-----|-----|-----|-----|--------|----|---|---|---|-------|----|----|----|----|----|----|----|----|
| PRODUCT NO. 51940-436-- NOTE: 3 | ROWS D C B A | POWER | | | | | SIGNAL | | | | | POWER | | | | | | | | |
| | | E2 | P13 | P12 | P11 | P10 | P9 | 8 | 4 | 3 | 2 | 1 | P7 | P6 | P5 | P4 | P3 | P2 | P1 | E1 |
| | | | PA | X | PA | PA | PA | PA | X | | | | | | | | | | | |



| CODE | DIM "M" MATING LENGTH | CONTACT TYPE |
|------|-----------------------|--------------|
| E | [N/A] | SIGNAL |
| PA | [1.07] | POWER |
| HA | [N/A] | HOLD-DOWN |
| X | N/A | N/A |

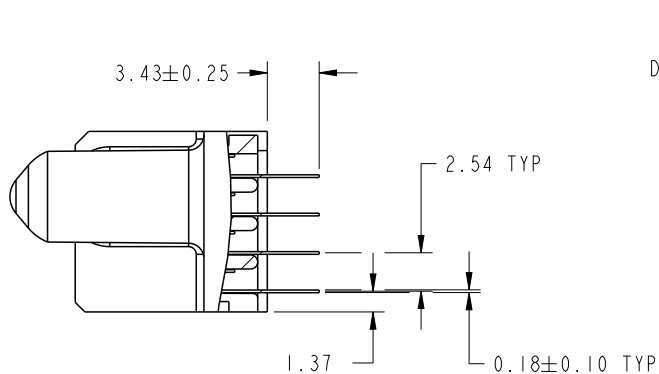
| | | | | | | | | | | |
|---------------|---------------------------------------|------|-----------|-------------|----------------|---|------------------------|--------------|-------|-----|
| spec ref | * | dr | Shi Guang | 2012/05/10 | projection | MM | size | A4 | scale | 1:1 |
| tolerance std | TOLERANCES UNLESS OTHERWISE SPECIFIED | eng | Ruan MT | 2013/02/19 | | | ecn no | - | | |
| SEE NOTE | | chr | - | - | product family | PwrBlade | rel level | Released | | |
| surface ✓ | linear | 0.X | ±0.5 | | title | 6ACP + 28S + 7P VERTICAL SOLDER RECEPT | dwg no | 51940-436 | rev | A |
| | | 0.XX | ±0.25 | | | | | | | |
| 0.XXX | ±0.1 | | | | | | | | | |
| | angular | 0° | ±2° | www.fci.com | cat. no. | * | Product - Customer Drw | sheet 1 of 4 | | |



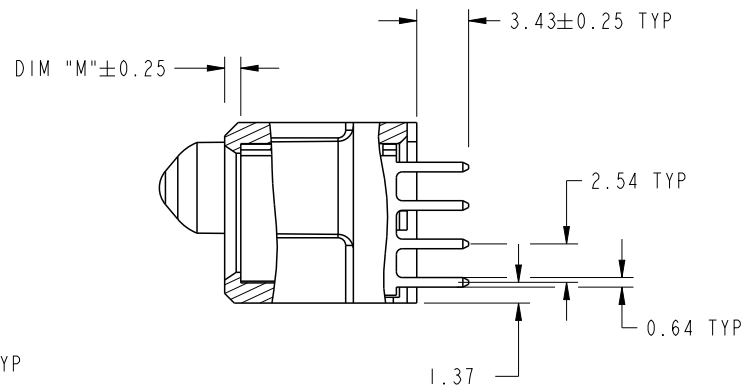
Copyright FCI.

PRODUCT NUMBER

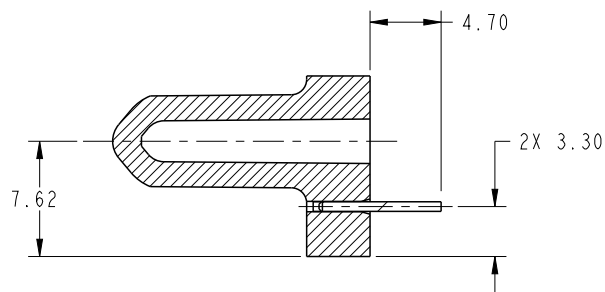
51940-436__
NOTE: 3



SECTION A-A
SCALE 2:1



SECTION B-B
SCALE 2:1

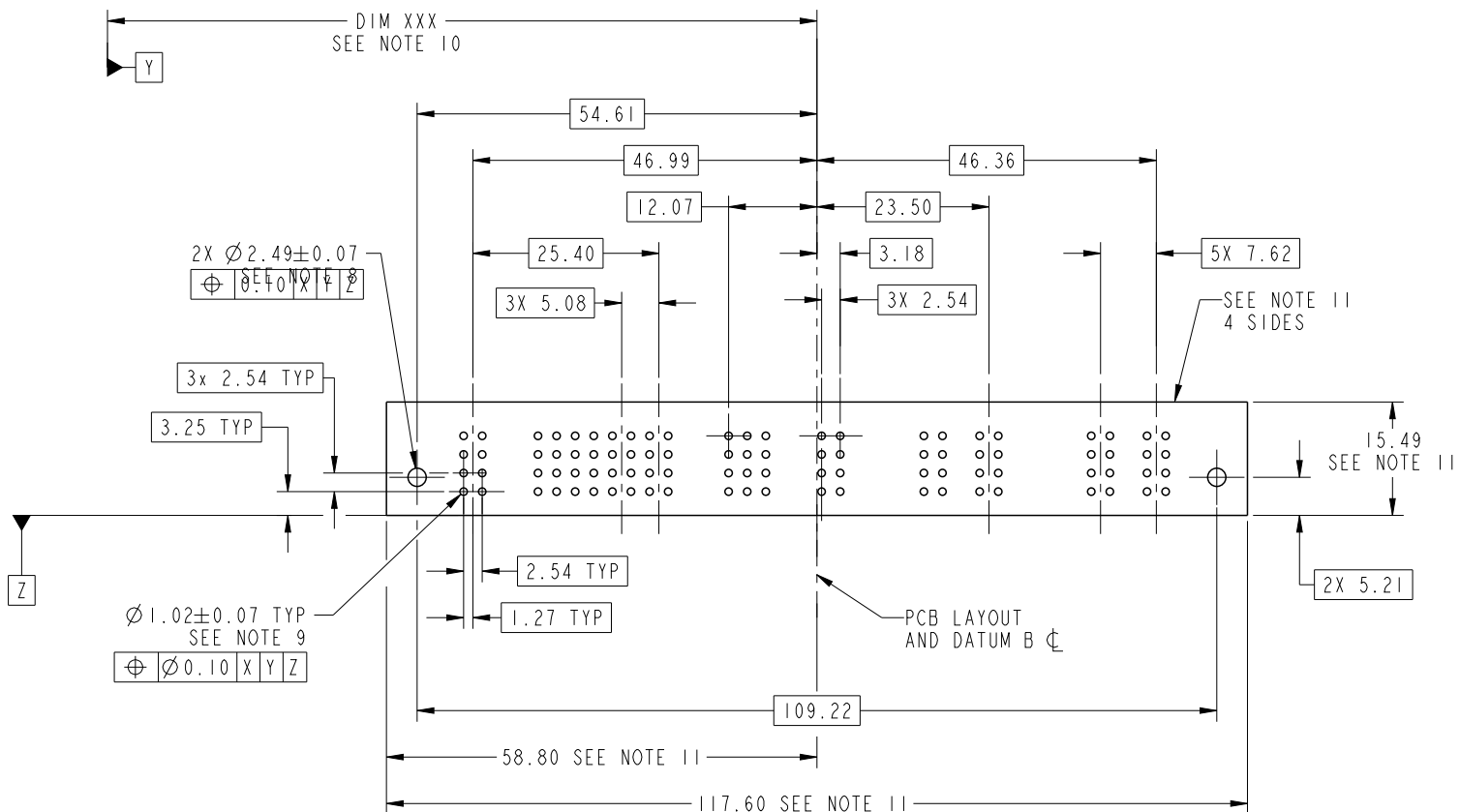


SECTION C-C
SCALE 2:1

| | | | | | | | | |
|-------------|----------------|------------|--|------------------------|-----------|-----------|--------------|-----|
| dr | Shi Guang | 2012/05/10 | projection | MM | size | A4 | scale | 1:1 |
| eng | Ruan MT | 2013/02/19 | | | ecn no | - | | |
| chr | - | - | | | rel level | Released | | |
| appr | Pei-Ming Zheng | 2013/02/19 | product family | PwrBlade | rev | A | | |
| | | title | 6ACP + 28S + 7P VERTICAL SOLDER RECEIPT | | dwg no | 51940-436 | sheet 2 of 4 | |
| www.fci.com | | cat. no. | * | Product - Customer Drw | | | | |

PRODUCT NUMBER

51940-436__
NOTE: 3



RECOMMENDED PCB LAYOUT

| | | | | | | | | |
|-------------|----------------|------------|----------------|-----------------|------------------------|-----------|--------------|-----|
| dr | Shi Guang | 2012/05/10 | projection | MM | size | A4 | scale | 1:1 |
| eng | Ruan MT | 2013/02/19 | | | ecn no | - | | |
| chr | - | - | | | rel level | Released | | |
| appr | Pei-Ming Zheng | 2013/02/19 | product family | PwrBlade | rev | A | | |
| | | title | | 6ACP + 28S + 7P | dwg no | 51940-436 | sheet 3 of 4 | |
| www.fci.com | | cat. no. | | * | Product - Customer Drw | | sheet 3 of 4 | |

PRODUCT NUMBER

51940-436__
NOTE: 3

NOTES:

1. DIMENSIONS AND TOLERANCES ARE IN ACCORDANCE WITH ASME Y14.5M, 1994 UNLESS OTHERWISE SPECIFIED.

CONNECTOR NOTES:

2 HOUSING MATERIAL: UL 94 V-0 GLASS FILLED HIGH-TEMP THERMOPLASTIC
POWER CONTACT MATERIAL: COPPER ALLOY
SIGNAL PIN MATERIAL: COPPER ALLOY

3. SEE ITEM 5 & 6 IN PRINT 10064183 FOR PLATING SPEC OF 51940-436 AND 51940-436LF RESPECTIVELY.

4 MANUFACTURER'S NAME, DATE CODE AND OPTIONAL P/N TO APPEAR ON THIS SURFACE. THE P/N CAN BE OMITTED IF THERE IS NOT ENOUGH SPACE ON THIS SURFACE.

5. PRODUCT SPECIFICATION GS-12-149.
APPLICATION SPECIFICATION BUS-20-067.

6. PACKAGED IN TRAYS.

PCB NOTES:

7. ALL HOLE DIAMETERS ARE FINISHED HOLE SIZE.

8 MOUNTING HOLES, WHERE APPLICABLE, ARE UNPLATED.

9 $\varnothing 1.151 \pm 0.025$ DRILLED HOLES PLATED WITH
0.008 MIN SnPb OR Sn OVER 0.03
TO 0.08 Cu PLATING TO ACHIEVE
 $\varnothing 1.02 \pm 0.07$ HOLE.

10 "DIM XXX" TO BE DETERMINED BY THE CUSTOMER.

11 CONNECTOR KEEP-OUT ZONE.

12. THE VOID CORING IN BETWEEN POWER MODULES, SIGNAL MODULES AND END MODULES ARE OPTIONAL AND THE SHAPE MAY BE DIFFERENT FOR OPTIMIZE THE MOLDING PROCESS. THE VOID CORING WILL NOT EFFECT TO PRODUCT FUNCTION.



Copyright FCI.

| | | | | | | | | | | | |
|-------------|----------------|------------|----------------|------------------------|----------------|-----------------|--------------|----------|-----------|-----|---|
| dr | Shi Guang | 2012/05/10 | projection | MM | size | A4 | scale | 1:1 | | | |
| eng | Ruan MT | 2013/02/19 | | | ecn no | - | | | | | |
| chr | - | - | | | product family | PwrBlade | rel level | Released | | | |
| appr | Pei-Ming Zheng | 2013/02/19 | | | title | 6ACP + 28S + 7P | | dwg no | 51940-436 | rev | A |
| www.fci.com | | cat. no. | * | Product - Customer Drw | | | sheet 4 of 4 | | | | |