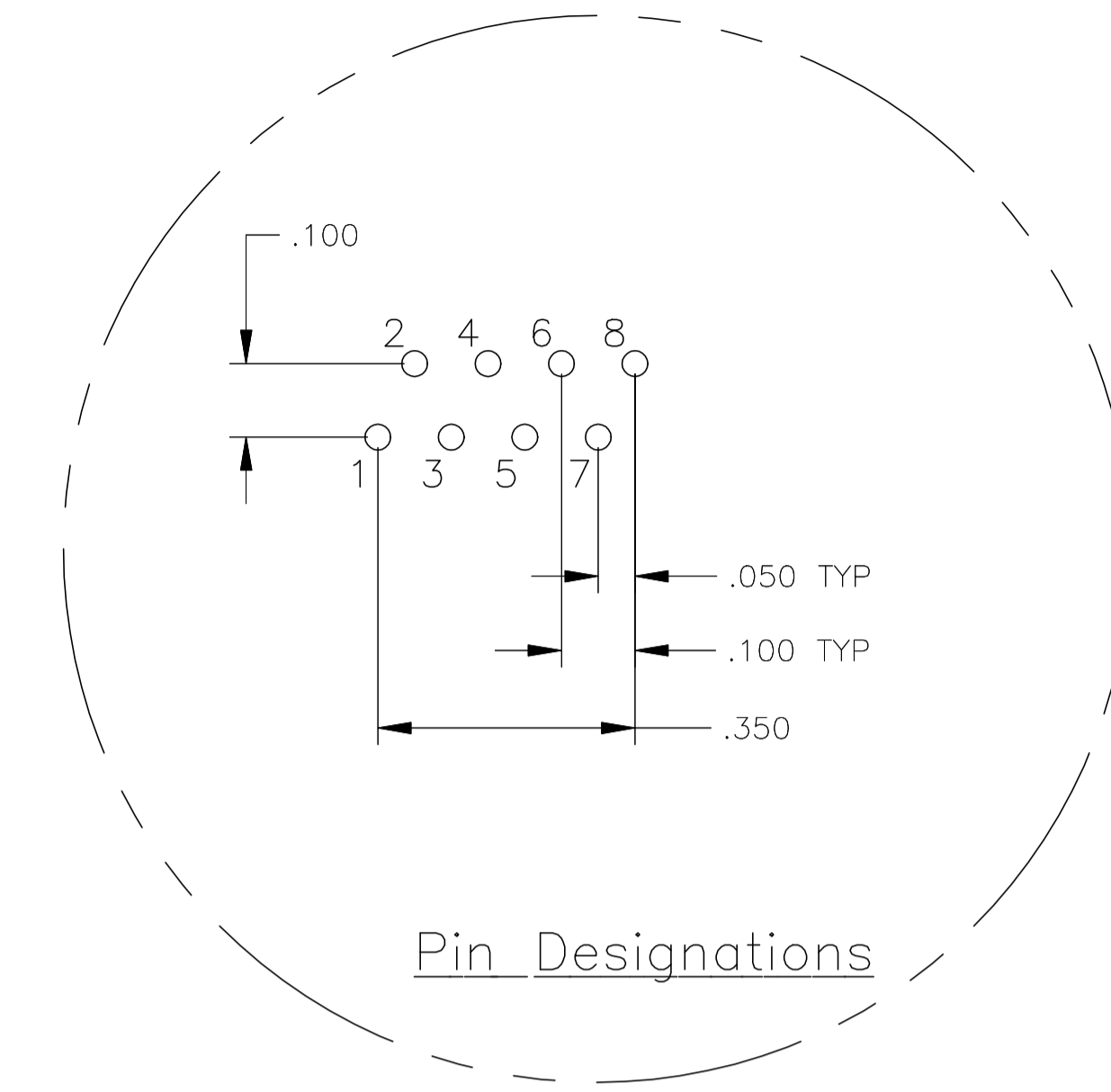
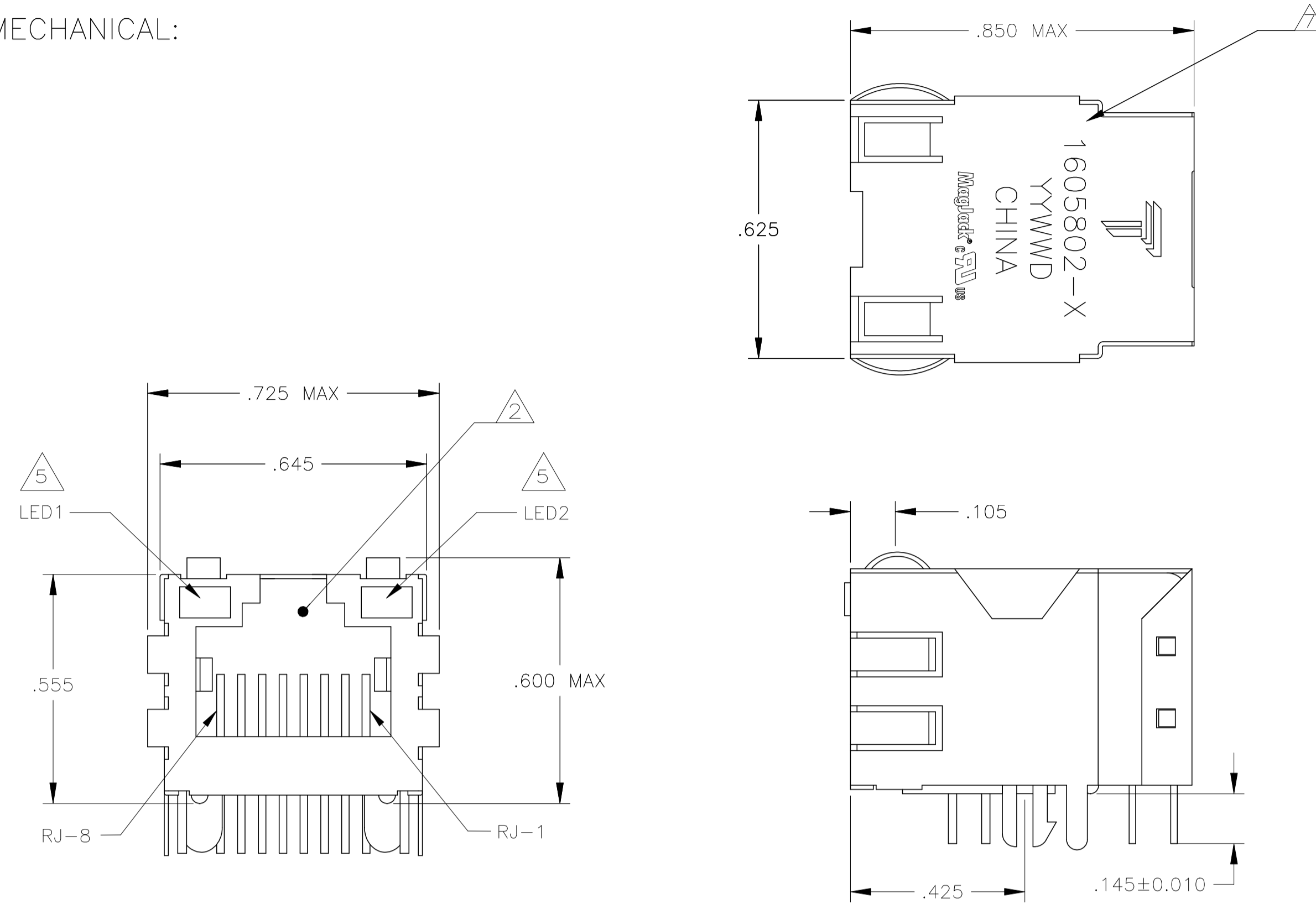


THIS DRAWING AND THE SUBJECT MATTER SHOWN THEREON ARE CONFIDENTIAL AND THE PROPERTY OF BEL/STEWART/TRP CONNECTOR AND SHALL NOT BE REPRODUCED, COPIED, OR USED IN ANY MANNER WITHOUT THE WRITTEN CONSENT OF TRP CONNECTOR.

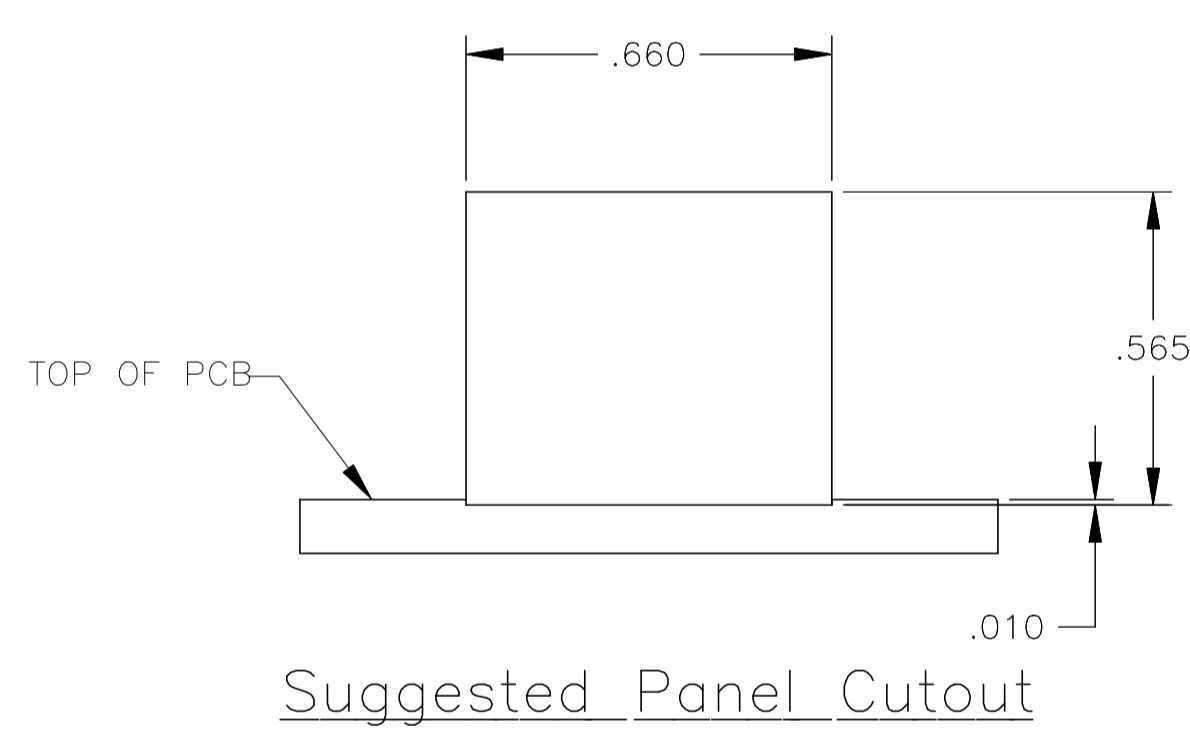
PRODUCT MAY BE PROTECTED BY ONE OR MORE OF THE FOLLOWING US PATENTS:
 5736910 5939955 6425781 6428361 6554638 6840817 7123117
 7429195 7717749 7808751 6217391 6149050 7924130

REVISIONS				
P	LYR	DESCRIPTION	DATE	APVD
F		EC-1411035 COMPANY LOGO CHANGE	07JAN2015	TL KZ

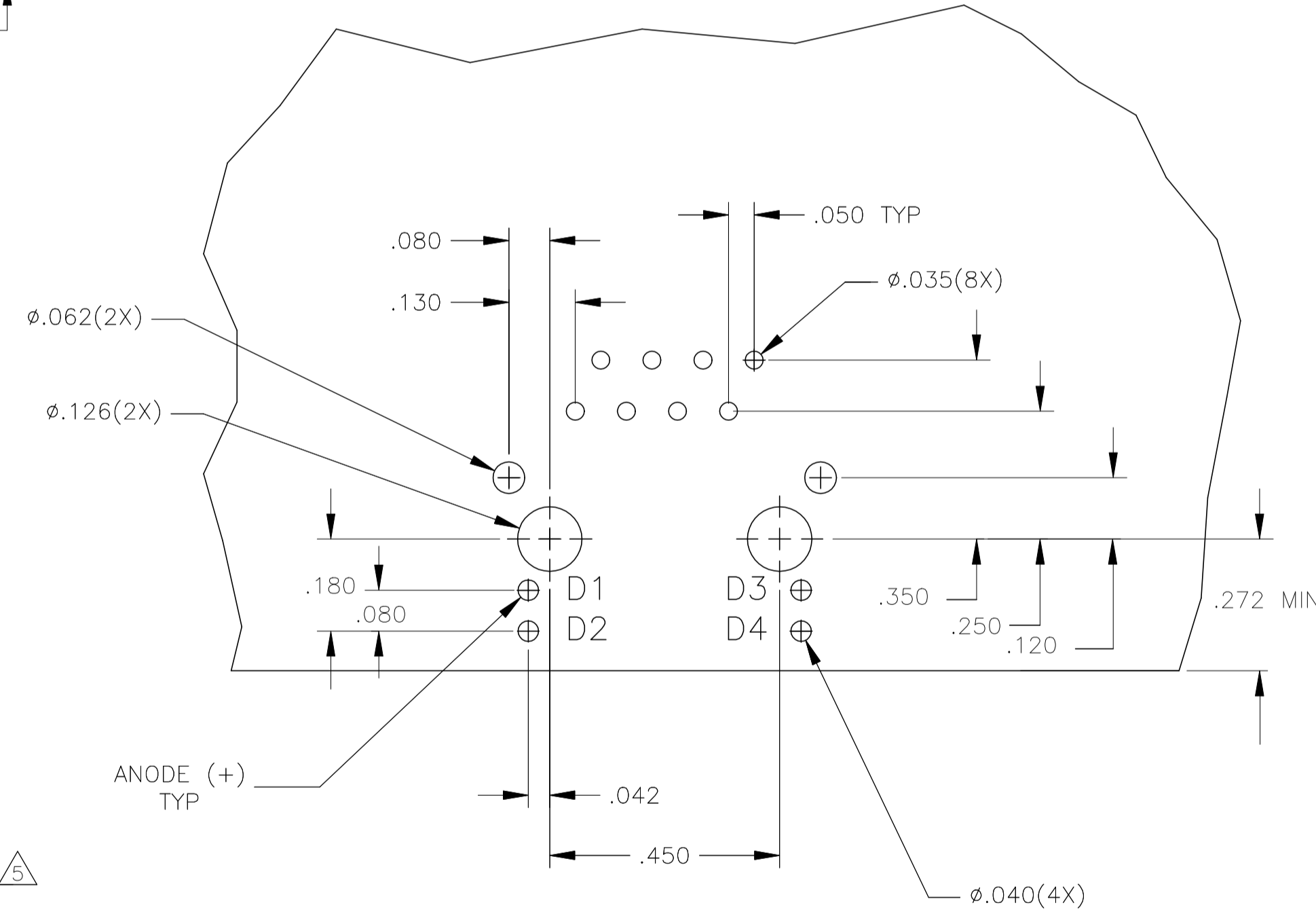
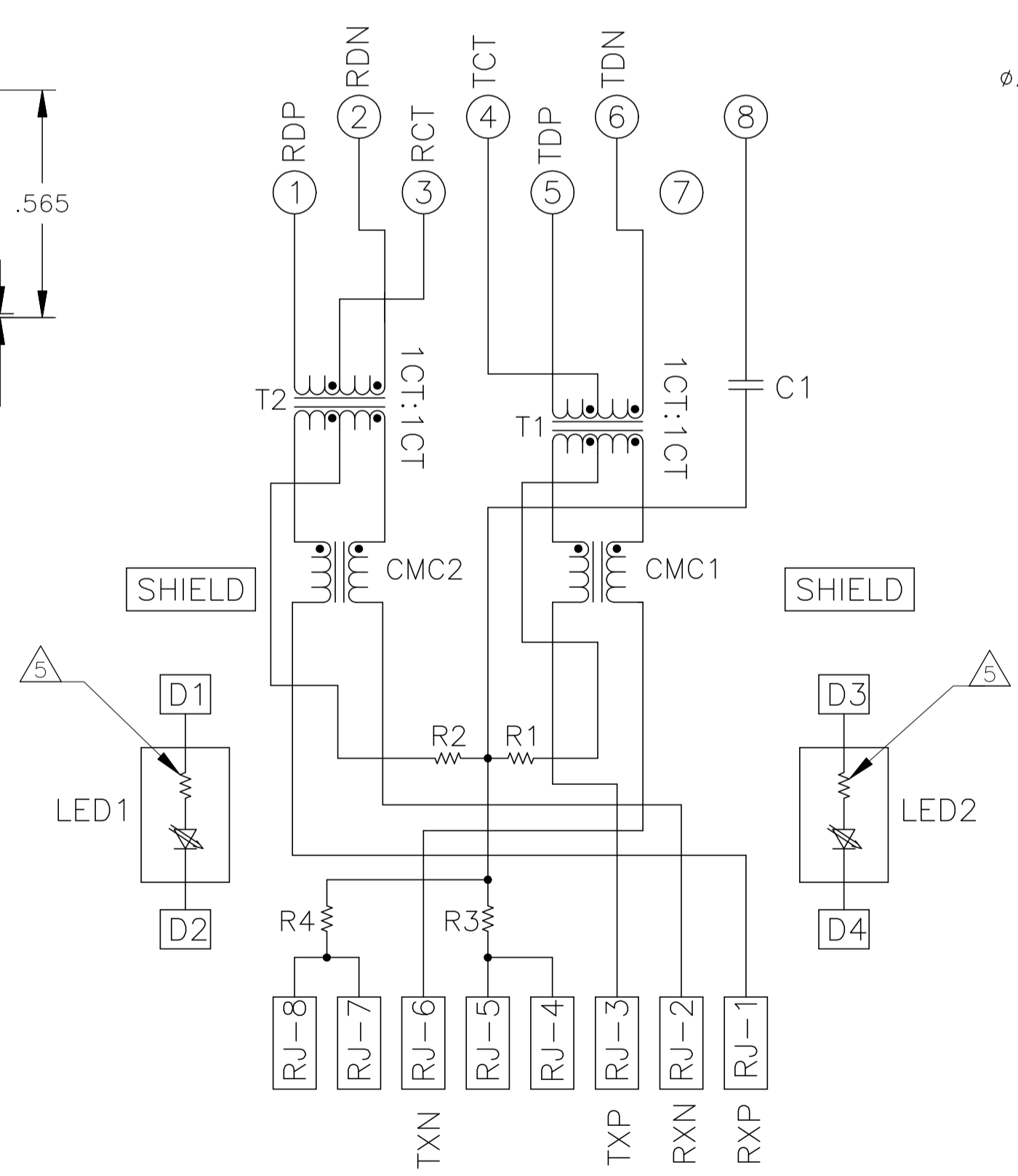
MECHANICAL:



- ⚠ MATERIALS:
 HOUSING - THERMOPLASTIC PET POLYESTER FLAMMABILITY RATING UL 94V-0.
 SHIELD - .010" THICK, C26800 BRASS PREPLATED WITH 80-150μinch SEMI-BRIGHT NICKEL, POST-DIPPED WITH 100μinch MIN TIN-LEAD.
 MOD JACK CONTACTS - .0157" x .018" THICK, PHOSPHOR BRONZE, 50μinch MIN OVERALL NICKEL UNDERPLATE, WITH SELECT 50μinch MIN HARD GOLD FINISH PLATE. SOLDER TAILS WITH 50μinch MIN TIN-LEAD FINISH PLATE.
 LIGHT EMITTING DIODE(LED) - DIFFUSED EPOXY LENS, .020" x .020" CARBON STEEL WIREFRAME LEADS PREPLATED WITH 90μinch SILVER OVER 40μinch NICKEL UNDERPLATE OVER 80μinch COPPER UNDERPLATE, POST-PLATED WITH 300μinch THICK TIN-LEAD.
- ⚠ RJ45 JACK CAVITY CONFORMS TO FCC RULES AND REGULATIONS PART 68, SUB PART F.
- ⚠ MAGNETICS
 -APPLICATION: 10/100 BASE-T
 -IMPEDANCE: 100 OHMS
 -TURNS RATIO (CHIP CABLE): TX = 1:1, RX = 1:1
 -OPEN CIRCUIT INDUCTANCE (OCL): 350μH MIN @100kHz, 0.1VRMS, 8mADC BIAS FROM 0°C TO 70°C, TX AND RX
 -PERFORMANCE @ 25°C:
 INSERTION LOSS (IL): 1.1dB MAX FROM 0.5MHz TO 100MHz
 RETURN LOSS (RL): 18dB MIN FROM 0.5MHz TO 30MHz
 18-20LOG(f/30)dB MIN FROM 30.1MHz TO 60MHz
 12dB MIN FROM 60.1MHz TO 80MHz
 CROSSTALK ATTENUATION: 35dB MIN FROM 0.5MHz TO 40MHz
 33-20LOG(f/50)dB MIN FROM 40.1MHz TO 100MHz
 COMMON MODE REJECTION RATIO (CMRR): 30dB MIN FROM 0.5MHz TO 100MHz
 -ISOLATION VOLTAGE: 2250VDC (MAX) FOR 60 SECONDS WITH A RISE TIME OF 500V/SEC.
 OPERATING TEMPERATURE: FROM 0°C - +70°C.



766P9 SERIES MAGNETIC CIRCUIT



- ⚠ ALL DIMENSIONS NOMINAL UNLESS OTHERWISE NOTED.
- ⚠ LEDS WITH BUILT-IN RESISTOR
 LEDS ARE DRIVEN WITH 5V VOLTAGE AND THE MAX OPERATING CURRENT IS 20mA.
 LED COLOR: DOMINANT WAVELENGTH (λD): GREEN 568 nm TYP @ VF=5V
 FORWARD CURRENT (IF): GREEN 12mA TYP @ VF=5V
 DOMINANT WAVELENGTH (λD): YELLOW 588 nm TYP @ VF=5V
 FORWARD CURRENT (IF): YELLOW 13mA TYP @ VF=5V
- ⚠ INDICATED CONNECTIONS ARE FOR HUB CONFIGURATION. THE MAGNETICS ARE SYMMETRICAL, AND SUPPORT AUTO-MDI/MDIX.
- ⚠ TRP CONNECTOR LOGO, PART NUMBER, DATE CODE, COUNTRY OF ORIGIN AND AGENCY APPROVAL MARKING IN APPROXIMATE LOCATION SHOWN.
- 8. THESE PARTS ARE RECOMMENDED FOR WAVE SOLDERING PROCESS, PREHEAT TEMPERATURE IS 120°C TO 160°C, 120 SECONDS TO 180 SECONDS, PEAK WAVE SOLDERING TEMPERATURE IS 260°C MAX, 10 SECONDS MAX.

C1 = 1000 pF, 2KV CAPACITOR
 R1-R4 = 75 OHMS, 1/16 W RESISTOR

OBSOLETE	GREEN	GREEN	6-1605802-1
	YELLOW	GREEN	5-1605802-2
	LED1 5	LED2 5	PART NUMBER

THIS DRAWING IS A CONTROLLED DOCUMENT.

DIMENSIONS: INCHES	TOLERANCES UNLESS OTHERWISE SPECIFIED:	0 PLG ± .005	1 PLG ± .005	2 PLG ± .010	3 PLG ± .005	4 PLG ± .005	ANGLES ± .005
--------------------	--	--------------	--------------	--------------	--------------	--------------	---------------

PRODUCT SPEC	108-2100	APPLICATION SPEC	-
--------------	----------	------------------	---

DRN	D. HARRINGTON	19JUL2002
CHK	M. HOSIER	19JUL2002
APVD	EC LAURER	19JUL2002
MODEL NAME	MAGJACK	
DESC	1X1 766P9 10/100 TAB UP W/ LED	
SIZE	A1	
CAGE CODE		
DRAWING NO	C=1605802	
RESTRICTED TO		
CUSTOMER DRAWING	SCALE NTS	SHEET 1 OF 1
REV	F	

trp CONNECTOR DONGGUAN CHINA