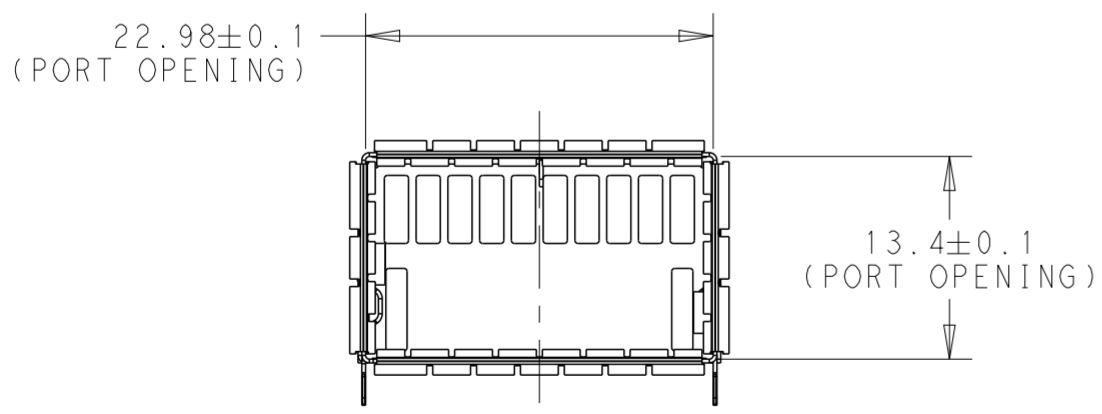
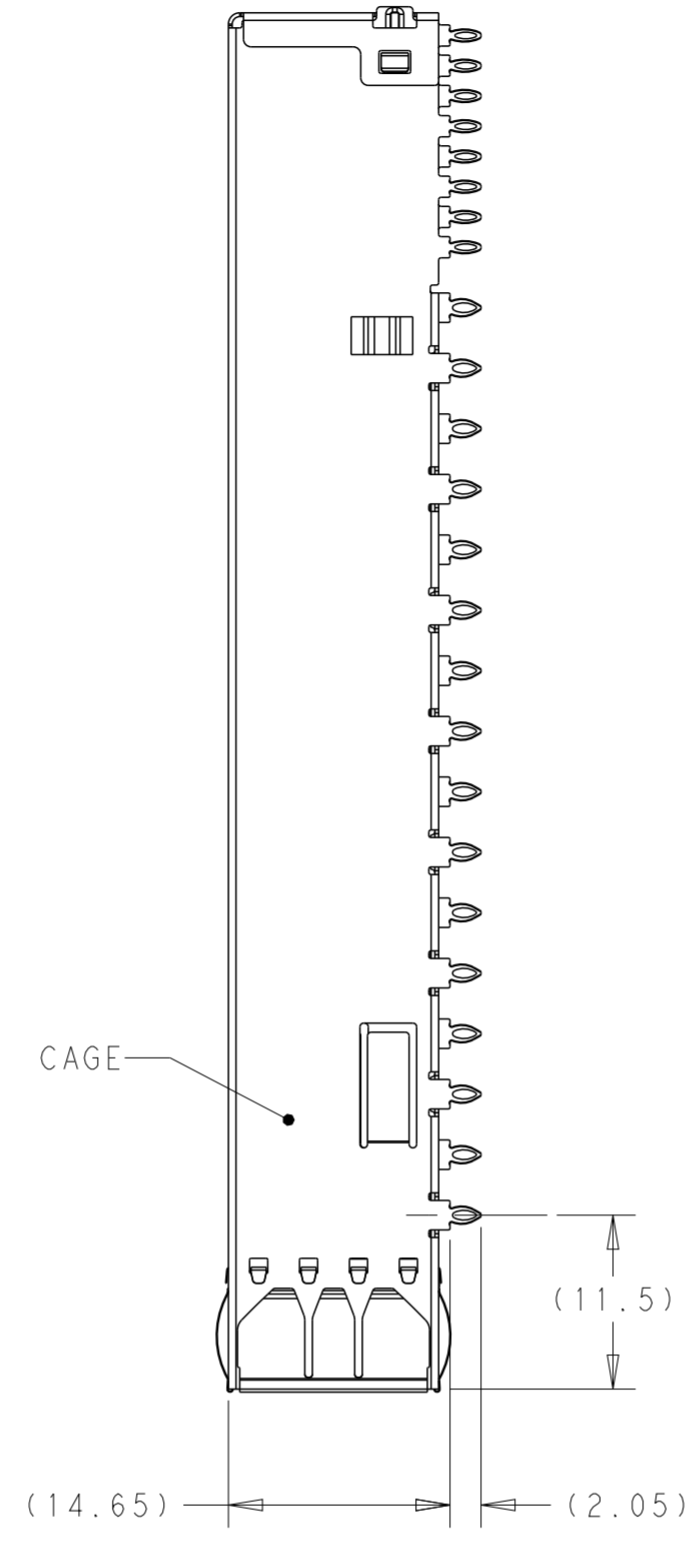
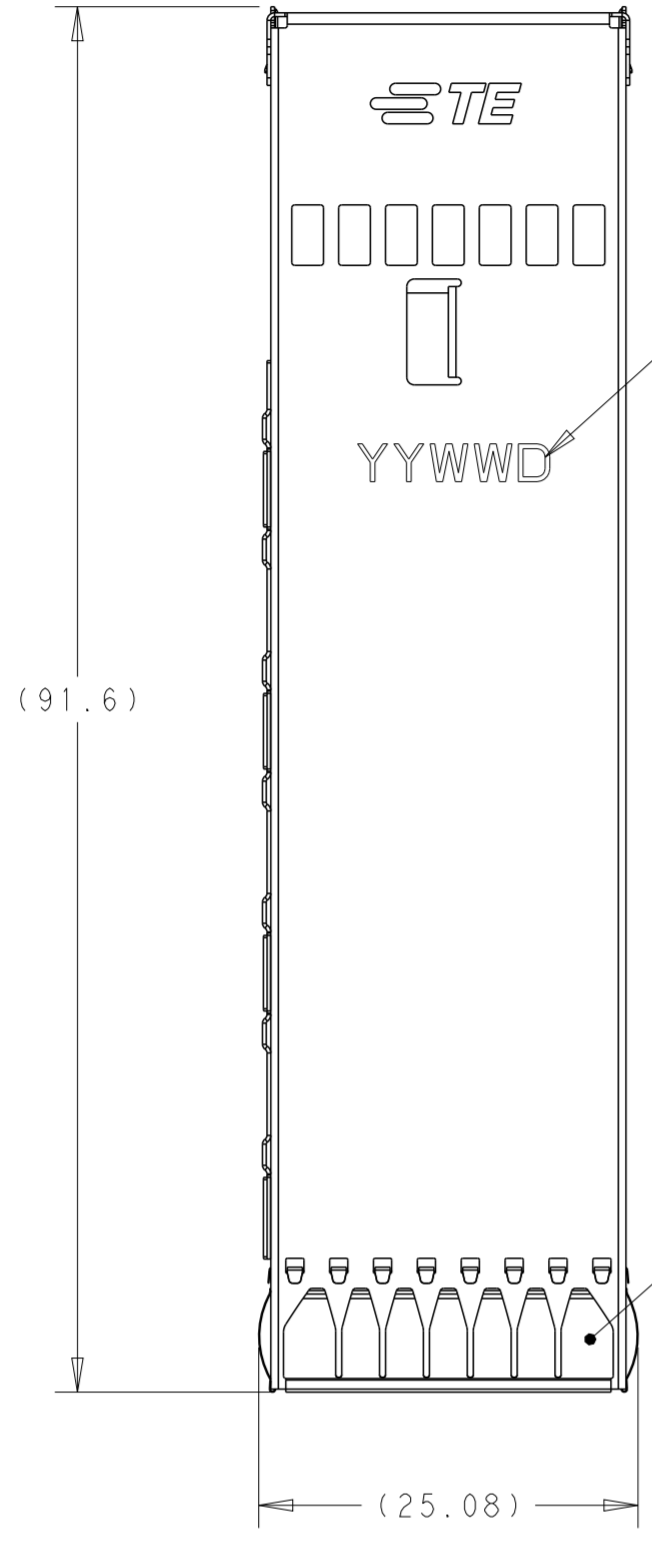


THIS DRAWING IS UNPUBLISHED. RELEASED FOR PUBLICATION 20
 © COPYRIGHT 20 BY - ALL RIGHTS RESERVED.

REVISIONS				
P	LTR	DESCRIPTION	DATE	APVD
A		RELEASED PER ECO-18-008361	28MAY2018	CJV EDB
B		REVISED PER ECO-18-009057	12JUN2018	MS EB
C		ADDED -3 PART	18JUN2019	CJV EDB
D1		REVISED PER ECN-23-196071	31JAN2023	ES SZ



- 1 CAGE- 0.25mm THICK STAINLESS STEEL.
EMI SPRING- COPPER ALLOY.
LIGHT PIPE- CLEAR POLYCARBONATE.
LIGHT PIPE ORGANIZER- POLYCARBONATE.
- 2 FINISH:
EMI SPRING- 1.27µm NICKEL PLATING OVER ALL.
- 3. MATES WITH OSFP MSA COMPLIANT TRANSCEIVERS.
- 4 DATUM AND BASIC DIMENSION ESTABLISHED BY CUSTOMER.
- 5. MINIMUM PC BOARD THICKNESS:
SINGLE SIDE = 1.5 MM
DOUBLE SIDE = 2.1 MM
- 6 REFERENCE APPLICATION SPEC 114-XXXX, FOR
RECOMMENDED DRILL HOLE DIAMETER AND PLATING THICKNESS.
- 7 DATE CODE MADE IN APPROXIMATE AREA.
- 8 LED PLACEMENT AREA FOR 4 LIGHT PIPE DASH NUMBERS.
- 9 LED PLACEMENT AREA FOR 2 LIGHT PIPE DASH NUMBERS.
- 10 LED PLACEMENT AREA FOR 1 LIGHT PIPE DASH NUMBERS.

LIGHT PIPES PER PORT	DESCRIPTION	PART NUMBER
0	WITH EMI SPRINGS	2317416-8
4	WITH EMI SPRINGS	2317416-7
2	WITH EMI SPRINGS	2317416-6
1	WITH EMI SPRINGS	2317416-5
0	WITH EMI SPRINGS	2317416-3
0	WITH EMI SPRINGS	2317416-2
0	WITH EMI SPRINGS	2317416-1

THIS DRAWING IS A CONTROLLED DOCUMENT.

DWN ANDY XIE 15MAR2017
 CHK SEAN HAN 15MAR2017
 APVD SEAN HAN 15MAR2017

STE TE Connectivity

NAME CAGE ASSEMBLY, 1X1, OSFP

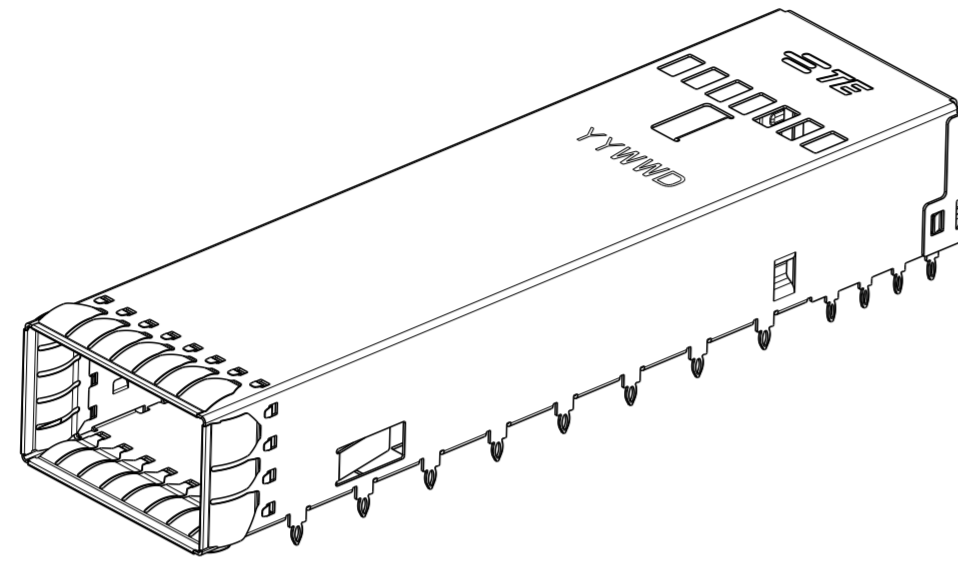
PRODUCT SPEC 108-60117
 APPLICATION SPEC 114-130009

SIZE A2 CAGE CODE - DRAWING NO. C-2317416 RESTRICTED TO -
 WEIGHT - SCALE 2:1 SHEET 1 OF 4 REV D1

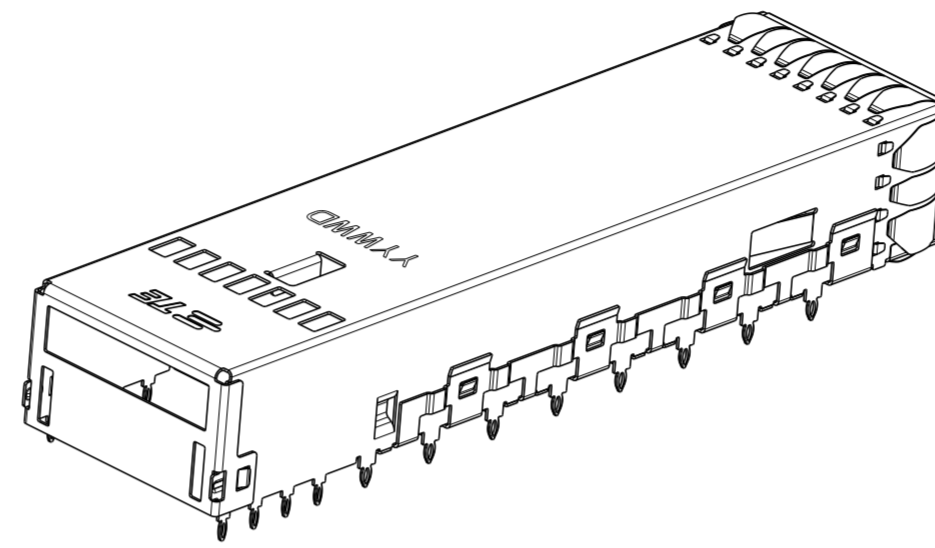
CUSTOMER DRAWING

THIS DRAWING IS UNPUBLISHED. RELEASED FOR PUBLICATION 20
 © COPYRIGHT 20 BY - ALL RIGHTS RESERVED.

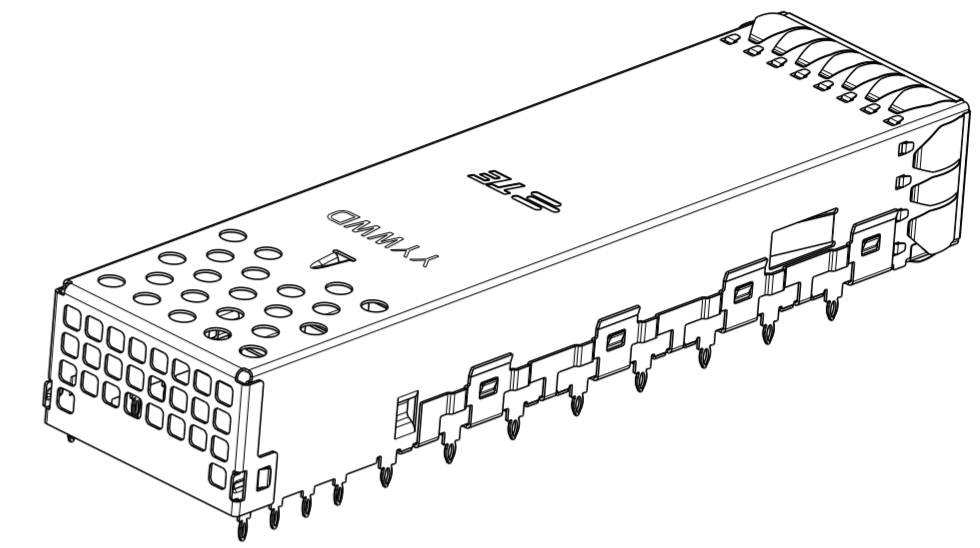
REVISIONS				
P	LTR	DESCRIPTION	DATE	APVD
-	-	SEE SHEET 1	-	-



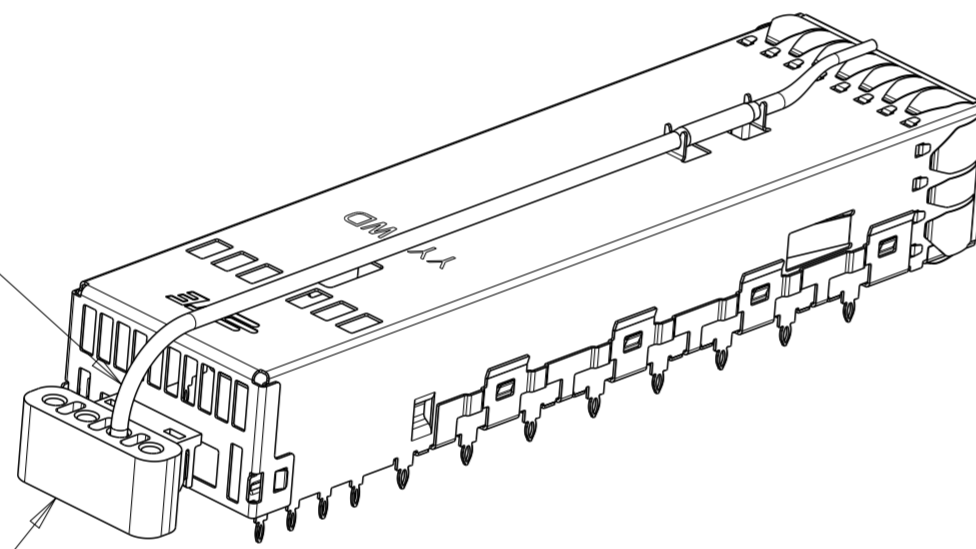
2317416-1
SCALE 3:2



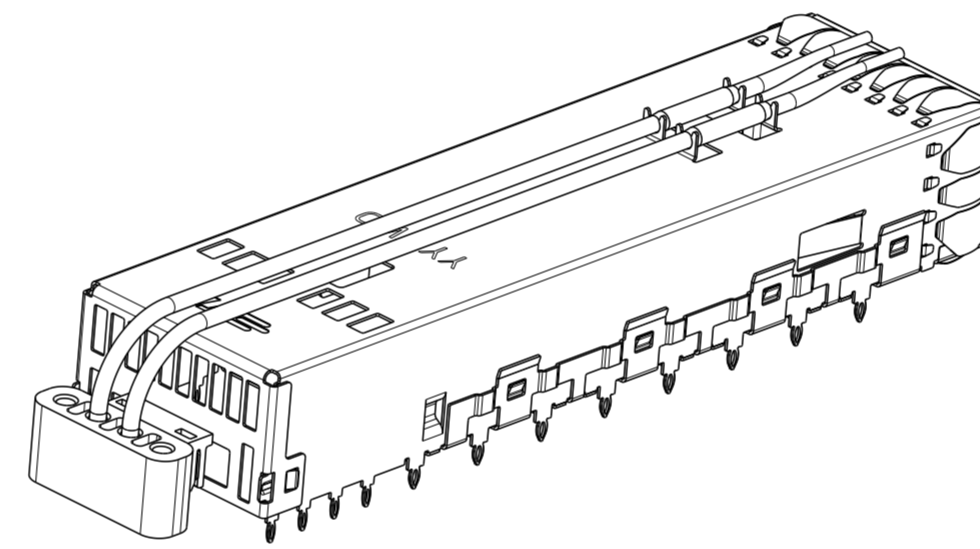
2317416-2
SCALE 3:2



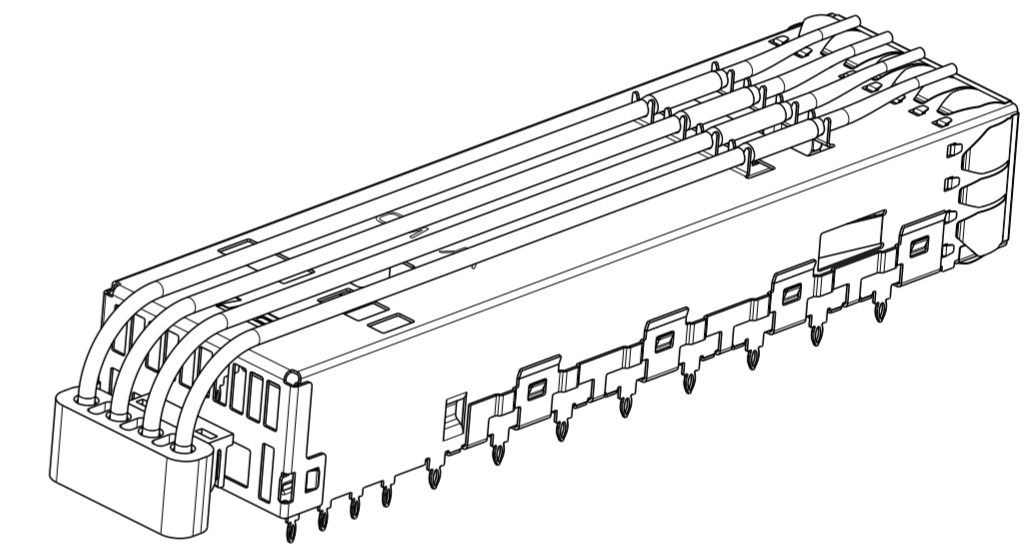
2317416-3
SCALE 3:2



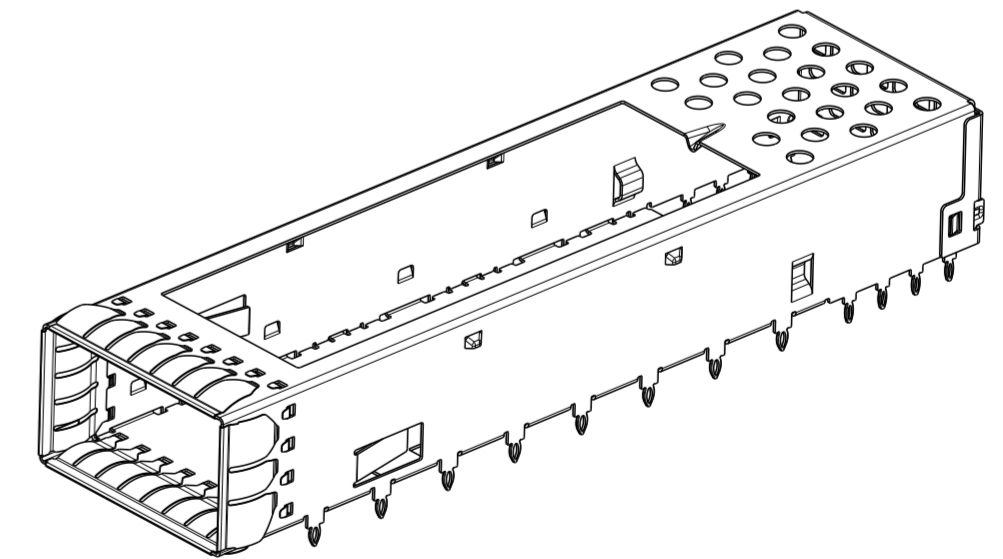
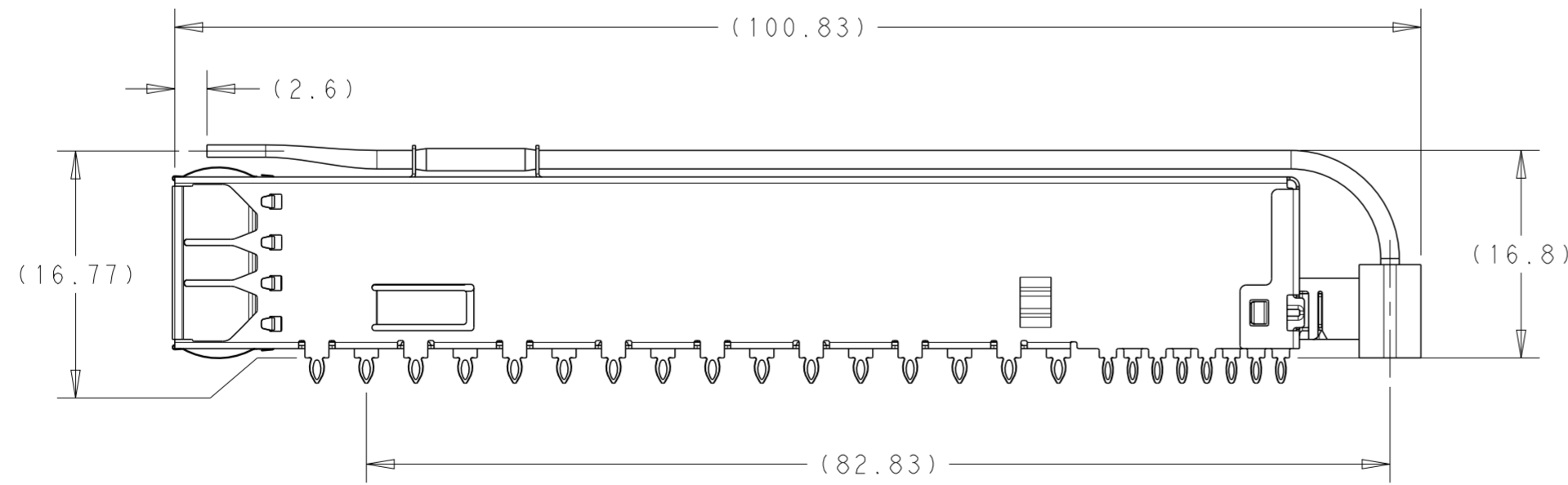
2317416-5
SCALE 3:2



2317416-6
SCALE 3:2



2317416-7
SCALE 3:2



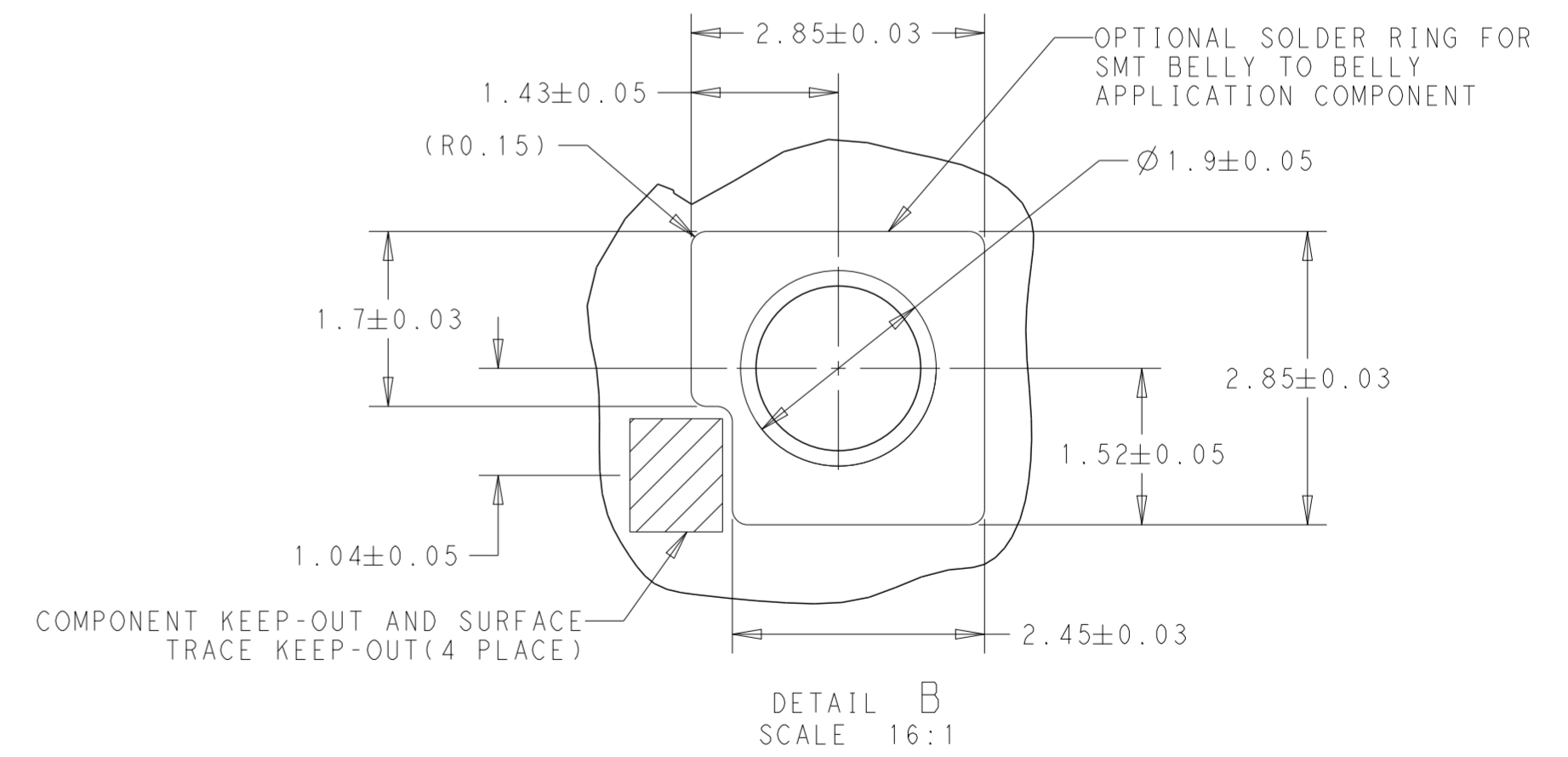
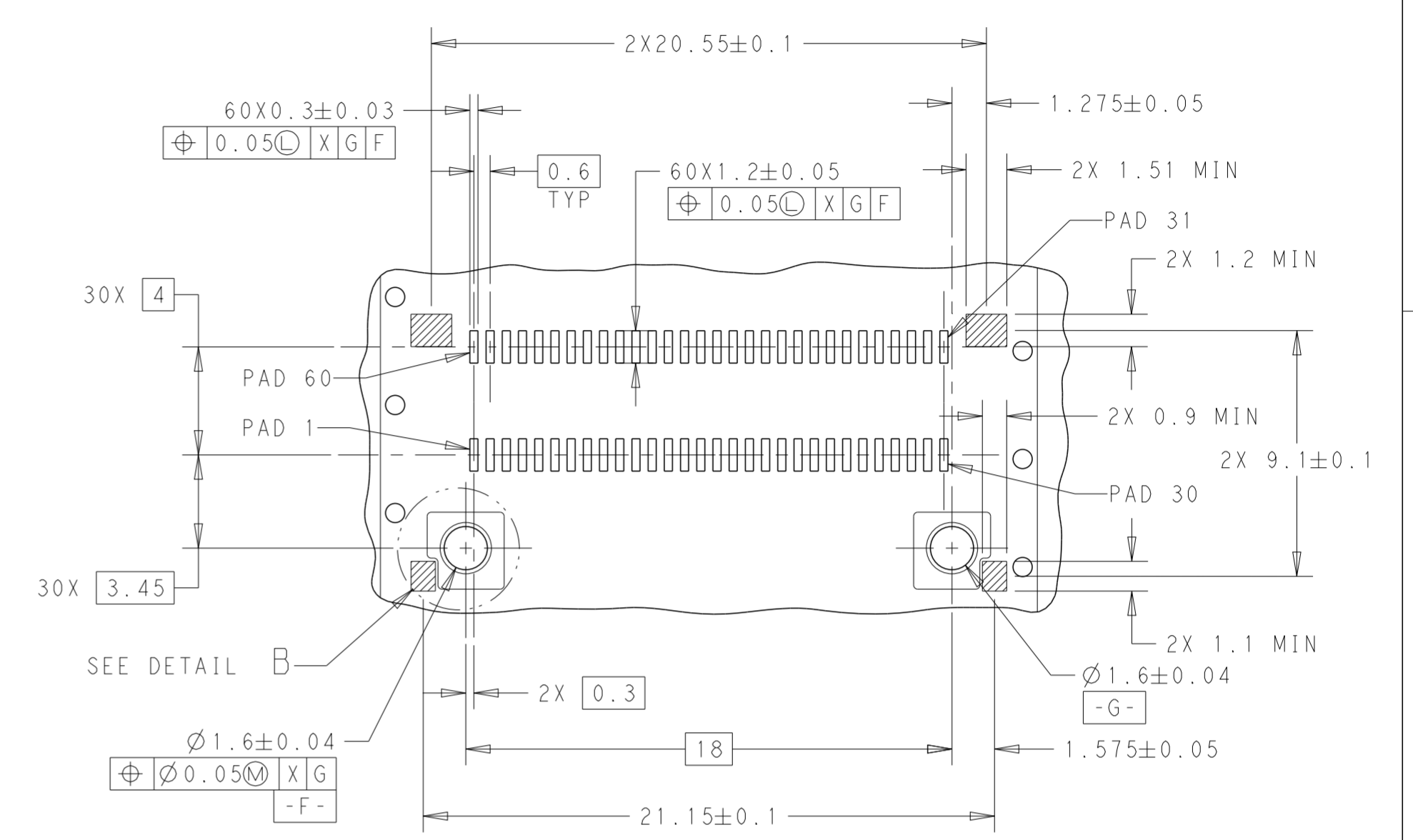
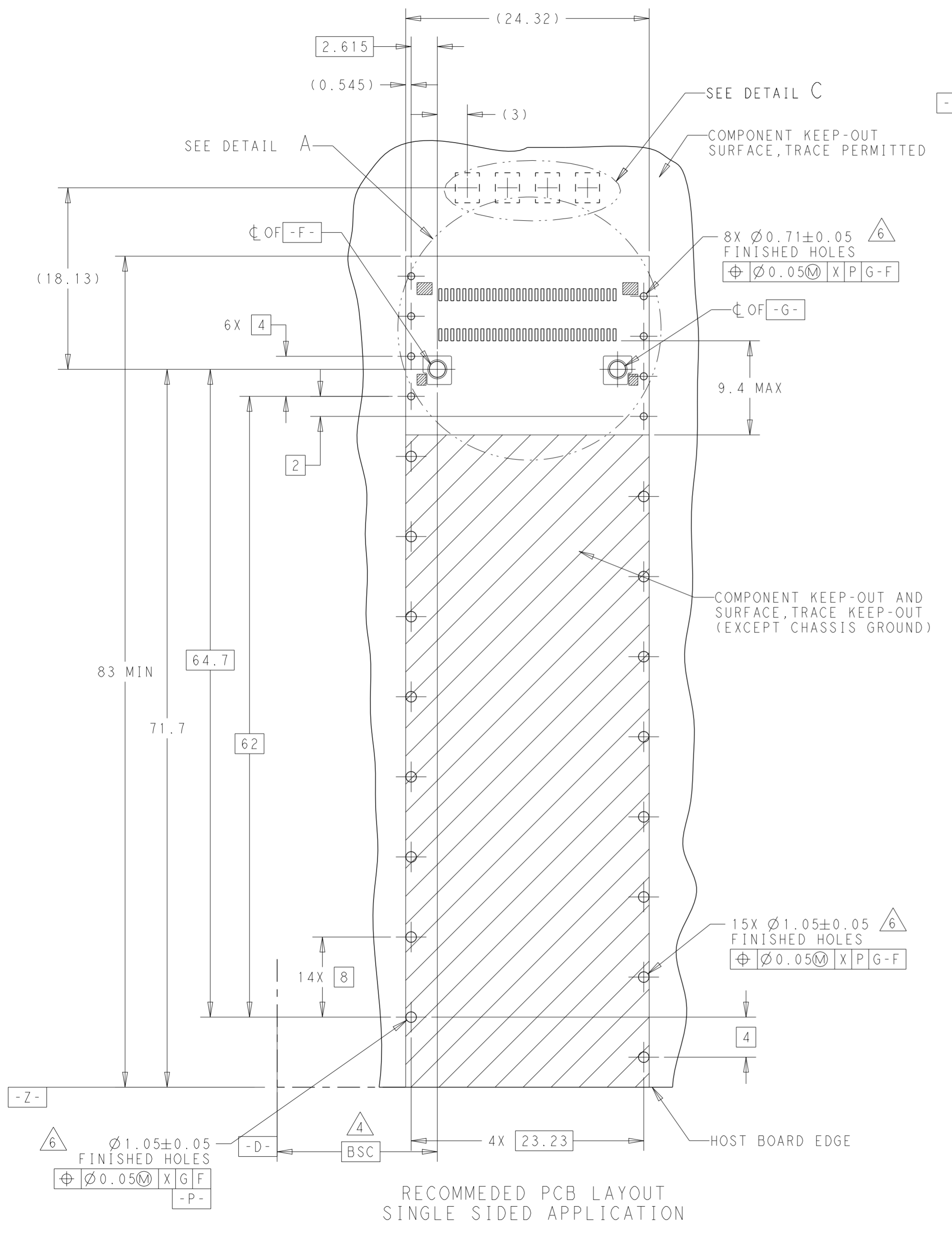
2317416-8
SCALE 3:2

LIGHT PIPE
 LIGHT PIPE ORGANIZER

THIS DRAWING IS A CONTROLLED DOCUMENT.		DWN ANDY XIE 15MAR2017	TE Connectivity	
DIMENSIONS: mm		CHK SEAN HAN 15MAR2017		
TOLERANCES UNLESS OTHERWISE SPECIFIED:		APVD SEAN HAN 15MAR2017	NAME CAGE ASSEMBLY, 1X1, OSFP	
0 PLC ± 1 PLC ±0.25 2 PLC ±0.15 3 PLC ± 4 PLC ± ANGLES ±1° FINISH		PRODUCT SPEC 108-60117	SIZE A2	RESTRICTED TO -
MATERIAL -		APPLICATION SPEC 114-130009	CAGE CODE -	DRAWING NO. C-2317416
		WEIGHT -	SCALE 2:1	SHEET 2 OF 4 REV D1
		CUSTOMER DRAWING		

THIS DRAWING IS UNPUBLISHED. RELEASED FOR PUBLICATION 20
 © COPYRIGHT 20 BY - ALL RIGHTS RESERVED.

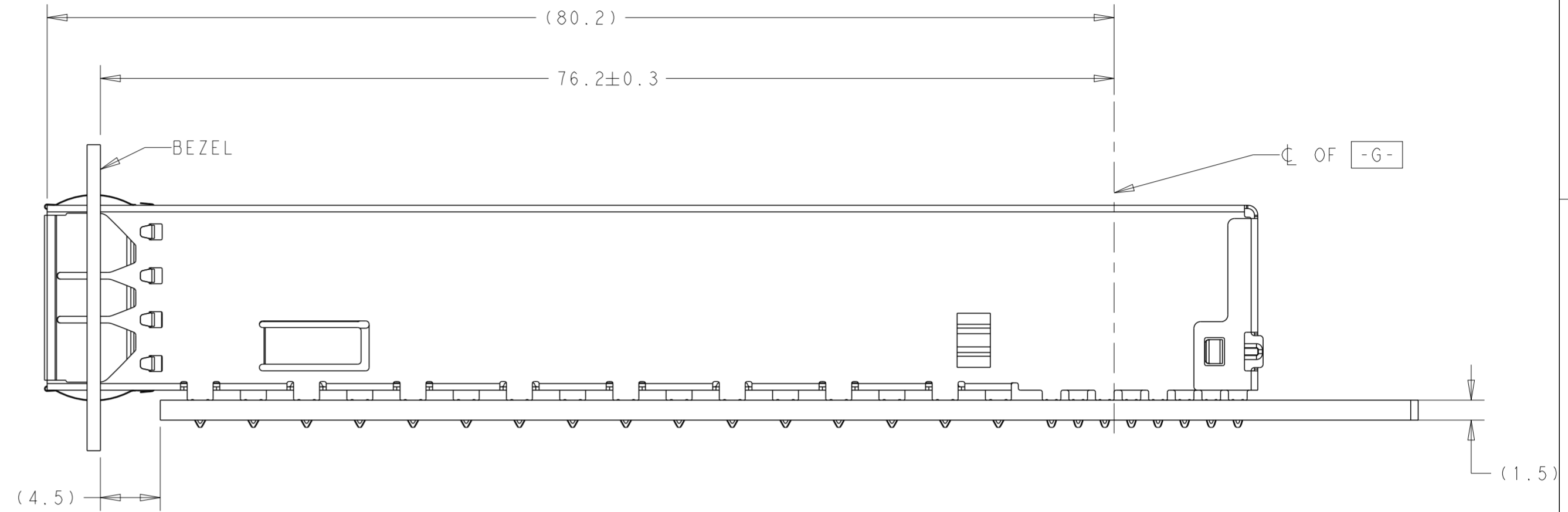
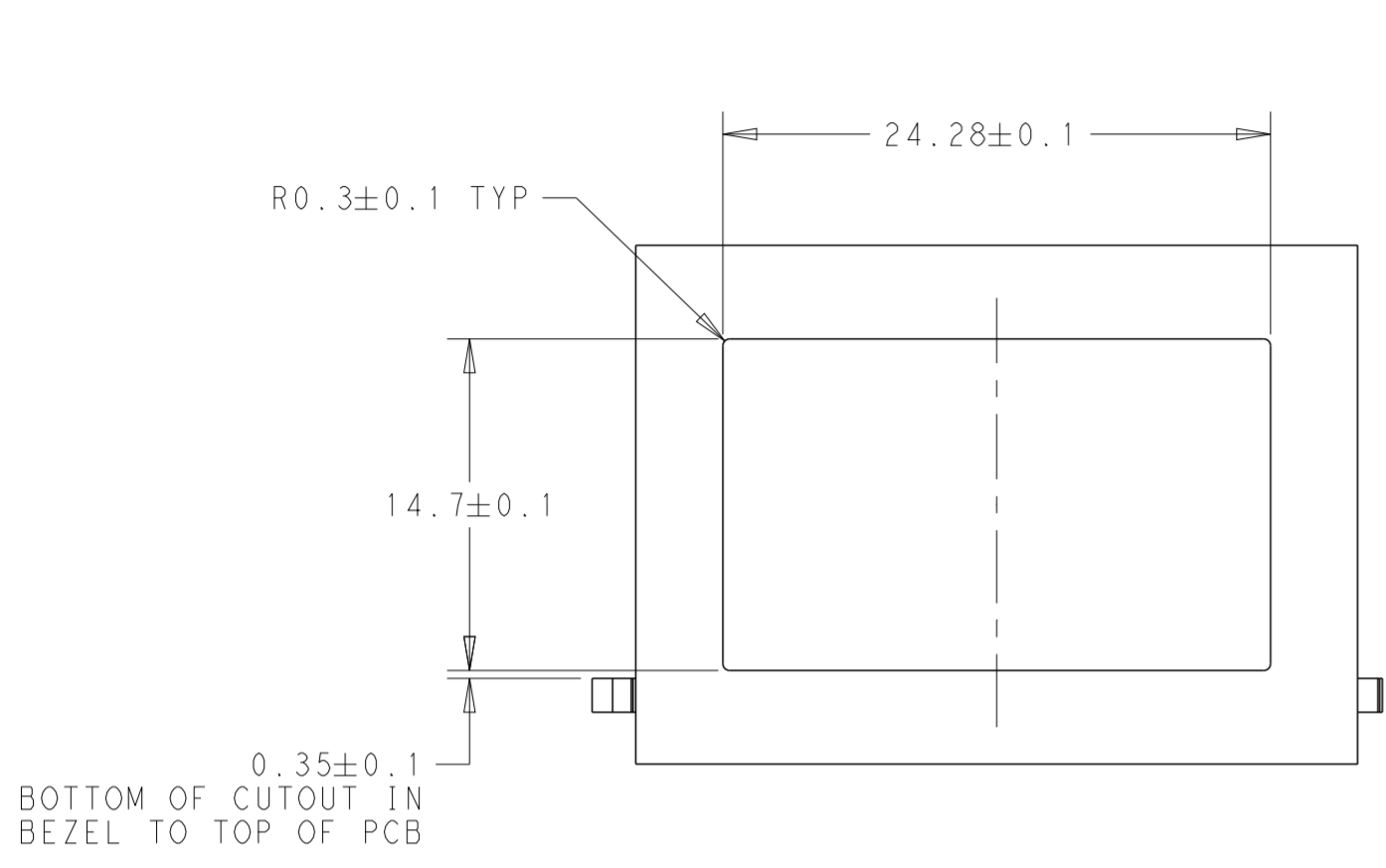
REVISIONS					
P	LTR	DESCRIPTION	DATE	DWN	APVD
-	-	SEE SHEET 1	-	-	-



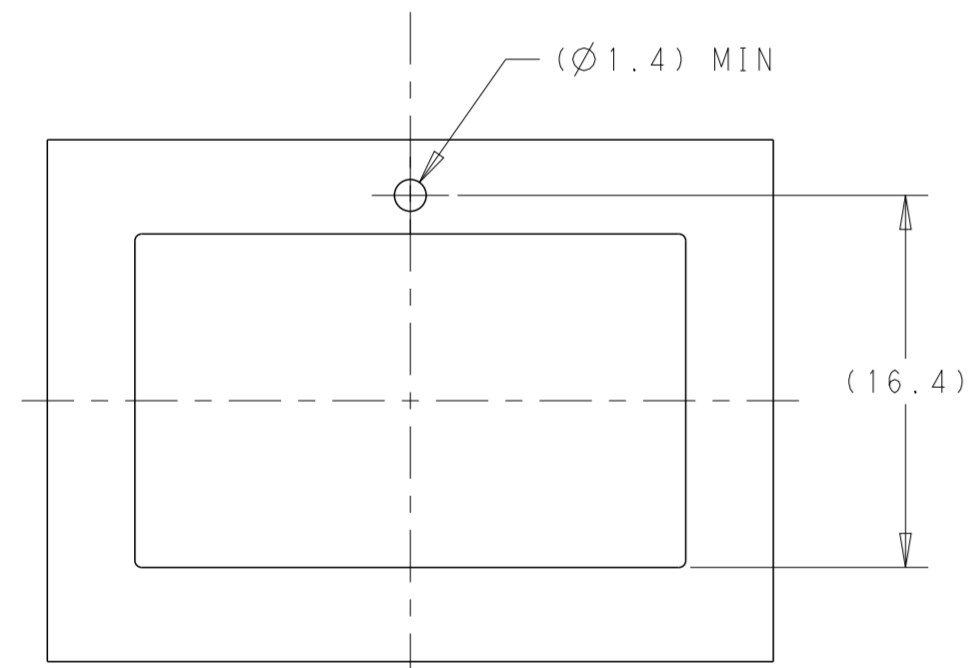
THIS DRAWING IS A CONTROLLED DOCUMENT.		DWN ANDY XIE 15MAR2017	TE Connectivity		
DIMENSIONS: mm		CHK SEAN HAN 15MAR2017			
TOLERANCES UNLESS OTHERWISE SPECIFIED:		APVD SEAN HAN 15MAR2017	NAME CAGE ASSEMBLY, 1X1, OSFP		
0 PLC ±	1 PLC ±0.25	PRODUCT SPEC 108-60117	SIZE A2	CAGE CODE -	DRAWING NO. C-2317416
2 PLC ±0.15	3 PLC ±	APPLICATION SPEC 114-130009	RESTRICTED TO -	SCALE 2:1 SHEET 3 OF 4 REV D1	
4 PLC ±	ANGLES ±1°	WEIGHT -	CUSTOMER DRAWING		
MATERIAL -	FINISH -				

THIS DRAWING IS UNPUBLISHED. RELEASED FOR PUBLICATION 20
 © COPYRIGHT 20 BY - ALL RIGHTS RESERVED.

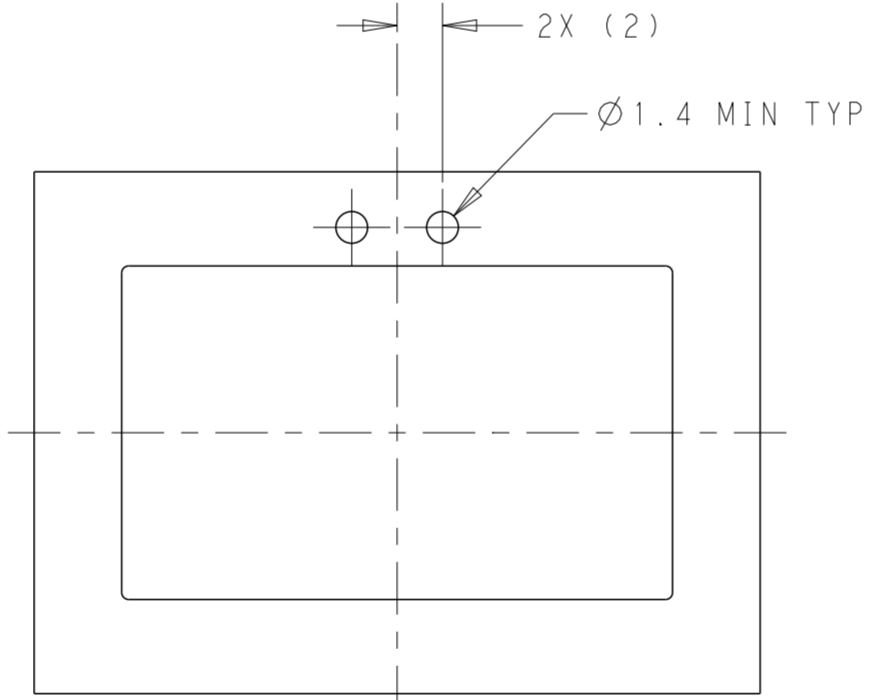
REVISIONS				
P	LTR	DESCRIPTION	DATE	APVD
-	-	SEE SHEET 1	-	-



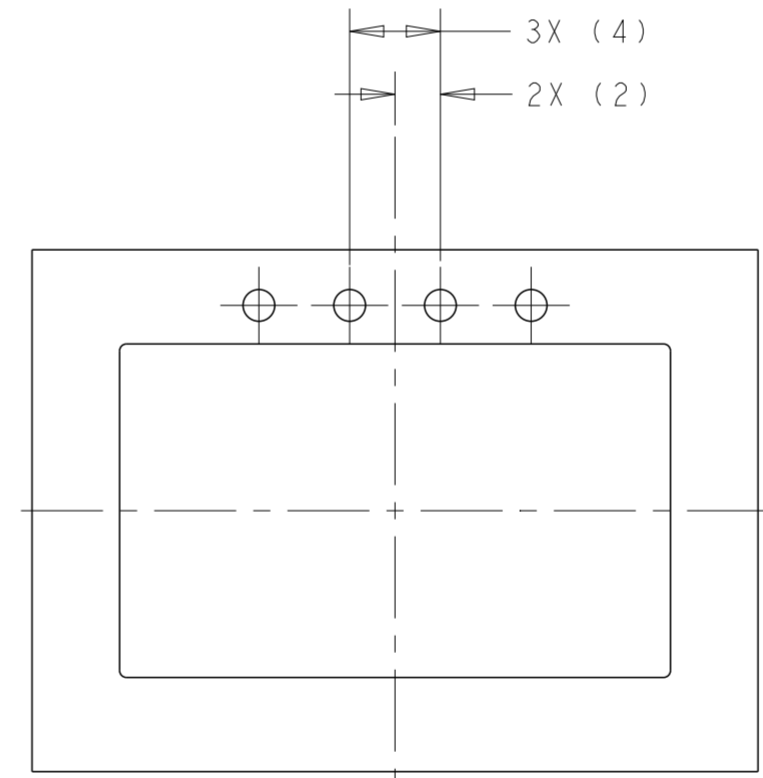
SINGLE SIDED MOUNTING
SCALE 3:1



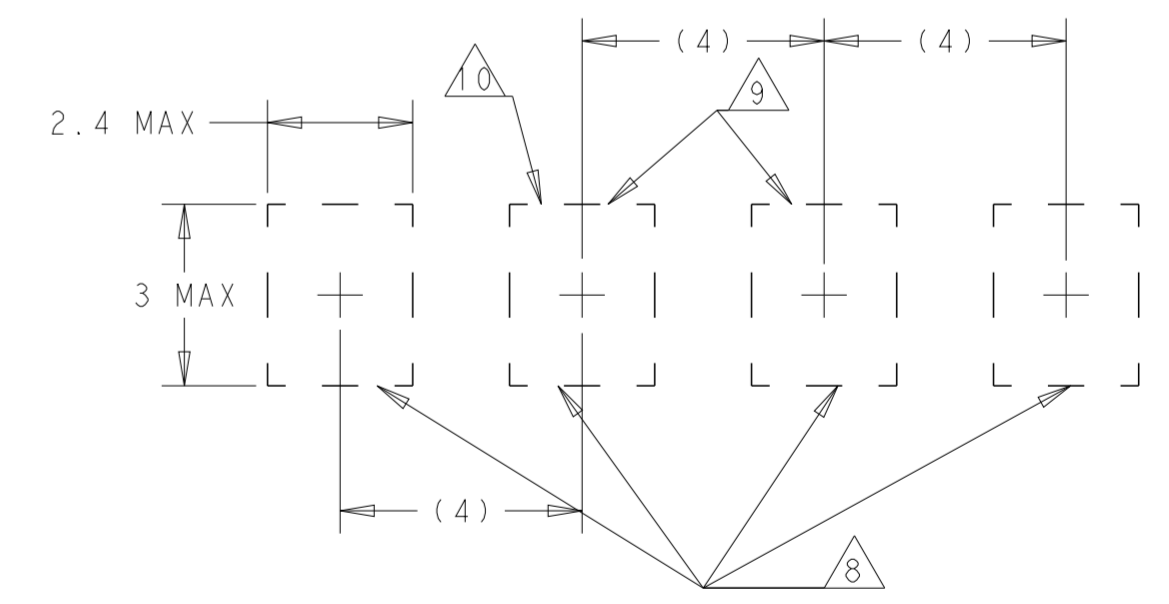
BEZEL LAYOUT FOR SINGLE LIGHT PIPE
SCALE 3:1



BEZEL LAYOUT FOR DOUBLE LIGHT PIPE
SCALE 3:1



BEZEL LAYOUT FOR QUAD LIGHT PIPE
SCALE 3:1



DETAIL C
SCALE 8:1

THIS DRAWING IS A CONTROLLED DOCUMENT.		DWN ANDY XIE 15MAR2017	STE TE Connectivity	
		CHK SEAN HAN 15MAR2017		
DIMENSIONS: mm		APVD SEAN HAN 15MAR2017	NAME CAGE ASSEMBLY, 1X1, OSFP	
TOLERANCES UNLESS OTHERWISE SPECIFIED:		PRODUCT SPEC 108-60117	SIZE A2	
0 PLC ±	1 PLC ±0.25	APPLICATION SPEC 114-130009	CAGE CODE -	DRAWING NO C-2317416
2 PLC ±0.15	3 PLC ±	WEIGHT -	RESTRICTED TO -	
4 PLC ±	ANGLES ±1°	CUSTOMER DRAWING	SCALE 2:1	SHEET 4 OF 4
FINISH -				REV D1