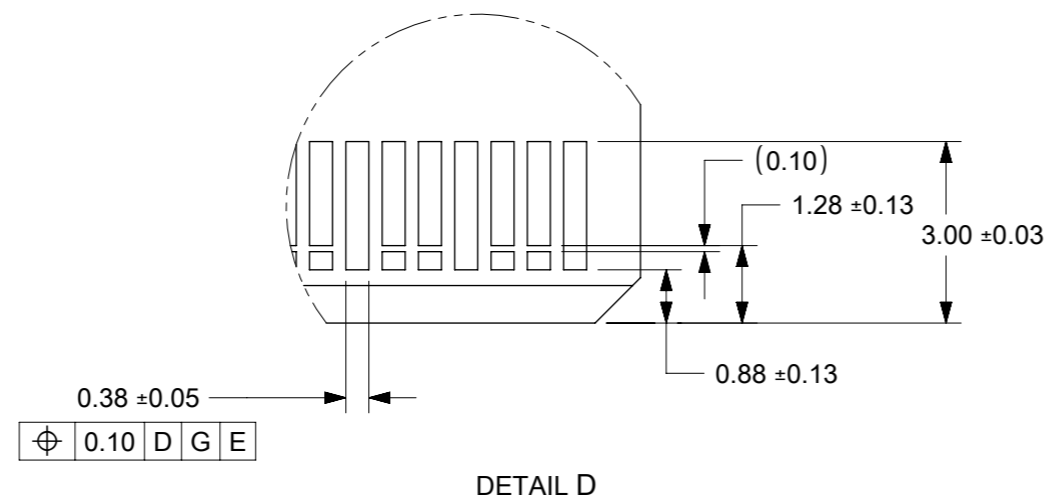
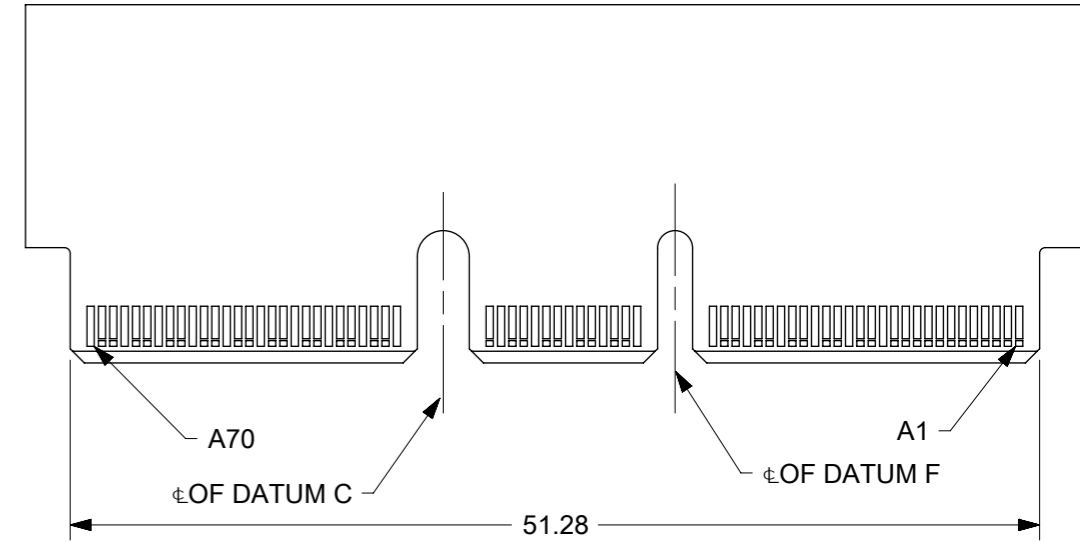
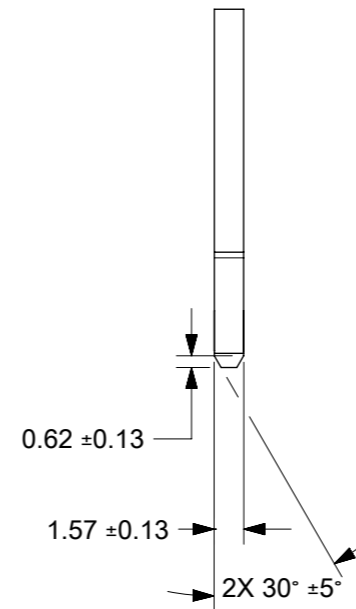
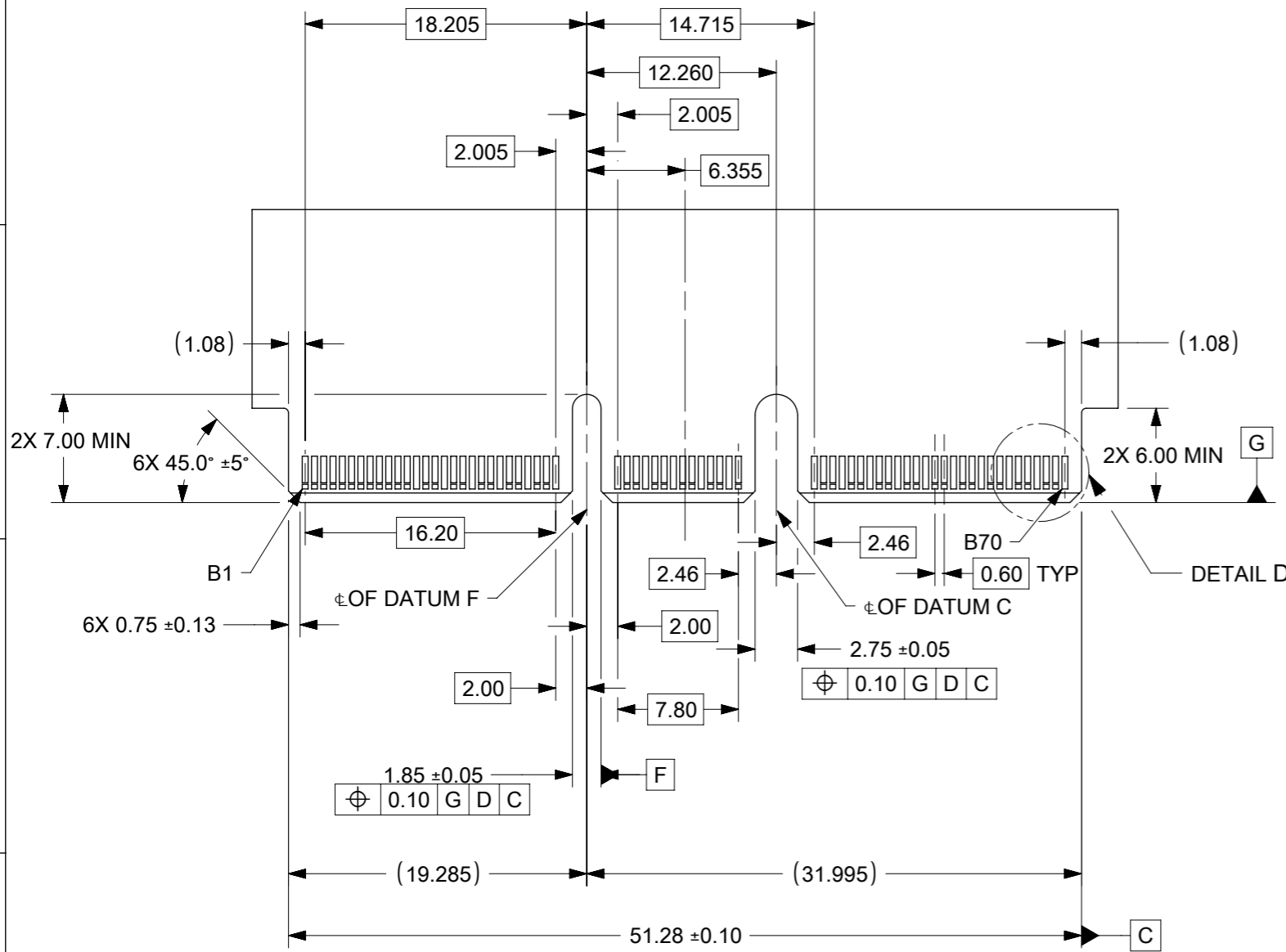


- NOTE:
- MATERIAL :
HOUSING : GLASS FILLED LIQUID CRYSTAL POLYMER UL94-V0 BLACK
CONTACT: COPPER ALLOY
 - FINISH : SEE TABLE
 - PRODUCT SPECIFICATION : SEE TABLE
 - PACKAGING SPECIFICATION : PRODUCT SHALL BE PACKED IN TRAY, SEE TABLE
 - APPLICATION SPECIFICATION : 2072620193-AS
 - MATING CARD THICKNESS : 1.57 ± 0.13
 - PCB THICKNESS : 1.93 ± 0.19
 - MOLEX LOGO, DATECODE & PART NUMBER INDICATED ON HOUSING.
 - OPTION WITH M2 X 0.4 X 6.0 SCREW ATTACHED

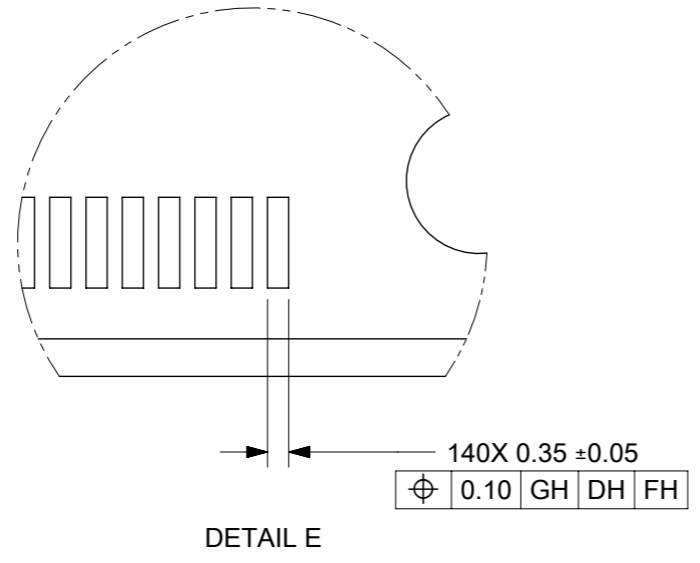
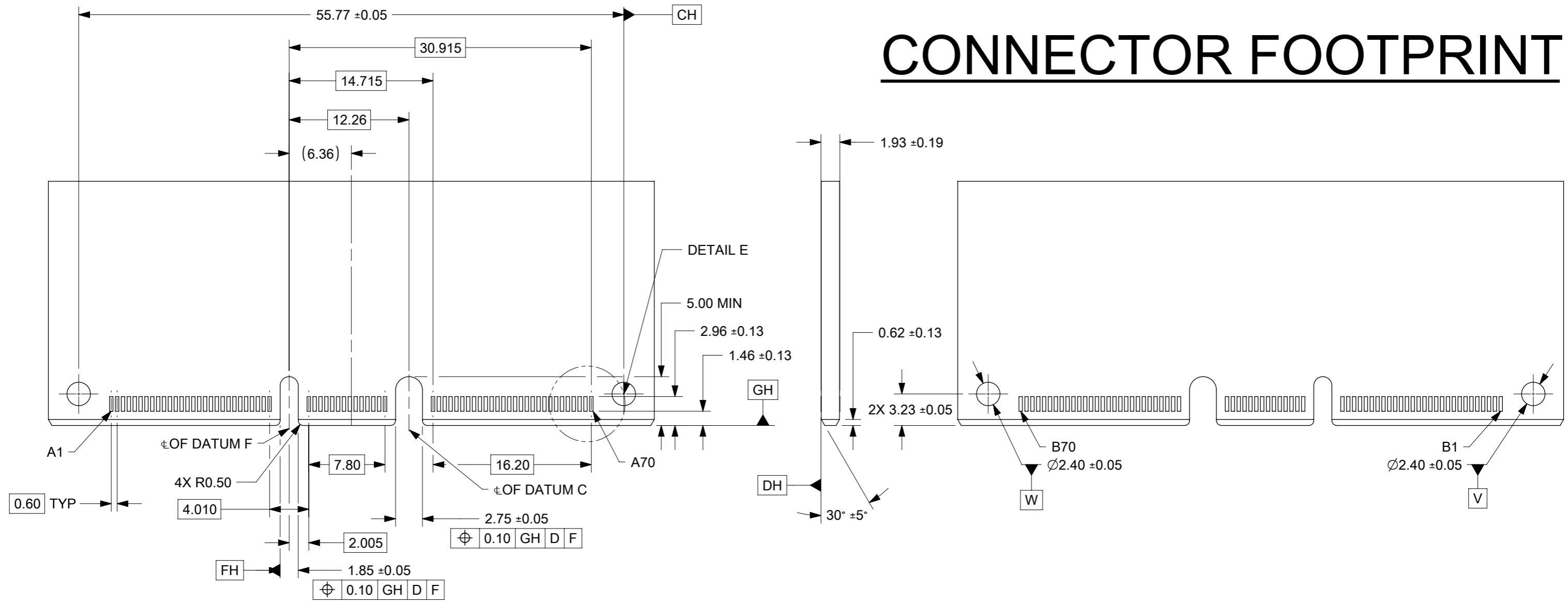
THIS DRAWING CONTAINS INFORMATION THAT IS PROPRIETARY TO MOLEX ELECTRONIC TECHNOLOGIES, LLC AND SHOULD NOT BE USED WITHOUT WRITTEN PERMISSION		CURRENT REV DESC: REVISED		molex	
DIMENSION UNITS	SCALE				
mm	NTS			PRODUCT CUSTOMER DRAWING	
GENERAL TOLERANCES (UNLESS SPECIFIED)				DOCUMENT NUMBER	
ANGULAR TOL ± 0.3°				2072620002	
4 PLACES ±		EC NO: 730748	2022/11/30	DOC TYPE	DOC PART
3 PLACES ±		DRWN: ASWINA	2022/12/06	PSD	000
2 PLACES ± 0.25		CHK'D: JAKEEMEW	2022/12/07	REVISION	
1 PLACE ±		APPR: SHLENI		C2	
0 PLACES ±		INITIAL REVISION:			
DRAFT WHERE APPLICABLE MUST REMAIN WITHIN DIMENSIONS		DRWN: SKANG	2018/10/02		
THIRD ANGLE PROJECTION		APPR: SHLENI	2019/09/04		
DRAWING		SERIES	MATERIAL NUMBER	CUSTOMER	
A3-SIZE		207262	SEE TABLE	GENERAL MARKET	
				SHEET NUMBER	
				1 OF 4	

AIC MATING CARD




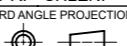
THIS DRAWING CONTAINS INFORMATION THAT IS PROPRIETARY TO MOLEX ELECTRONIC TECHNOLOGIES, LLC AND SHOULD NOT BE USED WITHOUT WRITTEN PERMISSION													
DIMENSION UNITS	SCALE	CURRENT REV DESC: REVISED											
mm	NTS												
GENERAL TOLERANCES (UNLESS SPECIFIED)													
ANGULAR TOL	± 0.3°	EDGELINE SLIVER 4C 1.93MM PCB 140CKT STRADDLE MOUNT											
4 PLACES	±	PRODUCT CUSTOMER DRAWING											
3 PLACES	±	EC NO: 730748	2022/11/30	DOCUMENT NUMBER						DOC TYPE	DOC PART	REVISION	
2 PLACES	± 0.25	DRWN: ASWINA	2022/12/06	2072620002						PSD	000	C2	
1 PLACE	±	CHK'D: JAKEEMEW	2022/12/07	INITIAL REVISION:									
0 PLACES	±	APPR: SHLENI	2022/12/07	DRWN: SKANG	2018/10/02	MATERIAL NUMBER						CUSTOMER	SHEET NUMBER
DRAFT WHERE APPLICABLE MUST REMAIN WITHIN DIMENSIONS		THIRD ANGLE PROJECTION	DRAWING	SERIES	207262		SEE TABLE		GENERAL MARKET		2 OF 4		

CONNECTOR FOOTPRINT



THIS DRAWING CONTAINS INFORMATION THAT IS PROPRIETARY TO MOLEX ELECTRONIC TECHNOLOGIES, LLC AND SHOULD NOT BE USED WITHOUT WRITTEN PERMISSION											
DIMENSION UNITS	SCALE	CURRENT REV DESC: REVISED									
mm	NTS										
GENERAL TOLERANCES (UNLESS SPECIFIED)					EDGELINE SLIVER 4C 1.93MM PCB 140CKT STRADDLE MOUNT						
ANGULAR TOL	±	0.3°	EC NO: 730748			PRODUCT CUSTOMER DRAWING					
4 PLACES	±		DRWN: ASWINA			2022/11/30					
3 PLACES	±		CHK'D: JAKEEMEW			2022/12/06					
2 PLACES	±	0.25	APPR: SHLENI			2022/12/07					
1 PLACE	±		INITIAL REVISION:			DOCUMENT NUMBER					
0 PLACES	±		DRWN: SKANG			2072620002					
DRAFT WHERE APPLICABLE MUST REMAIN WITHIN DIMENSIONS			THIRD ANGLE PROJECTION		DRAWING		SERIES		MATERIAL NUMBER	CUSTOMER	SHEET NUMBER
					A3-SIZE		207262		SEE TABLE	GENERAL MARKET	3 OF 4

ASSEMBLY PART NO.	CIRCUIT	PLATING OPTION	SCREW ATTACHED	PRODUCT SPECIFICATION	PACKAGING SPECIFICATION
2072620193	140	0.76µm/30µIn MIN. GOLD ON CONTACT 2.54µm/100µIn MIN. PURE MATTE TIN ON SOLDER TAILS OVER 1.27µm/50µIn MIN. NICKEL UNDERPLATE	NO	2072620193-PS	2072620140-PK
2072621140 			YES		2072621140-PK

THIS DRAWING CONTAINS INFORMATION THAT IS PROPRIETARY TO MOLEX ELECTRONIC TECHNOLOGIES, LLC AND SHOULD NOT BE USED WITHOUT WRITTEN PERMISSION										
DIMENSION UNITS	SCALE	CURRENT REV DESC: REVISED				molex				
mm	NTS									
GENERAL TOLERANCES (UNLESS SPECIFIED)		EC NO: 730748 DRWN: ASWINA 2022/11/30 CHK'D: JAKEEMEW 2022/12/06 APPR: SHLENI 2022/12/07 INITIAL REVISION: DRWN: SKANG 2018/10/02 APPR: SHLENI 2019/09/04				EDGELINE SLIVER 4C 1.93MM PCB 140CKT STRADDLE MOUNT				
ANGULAR TOL	± 0.3 °					PRODUCT CUSTOMER DRAWING				
4 PLACES	±					DOCUMENT NUMBER		DOC TYPE	DOC PART	REVISION
3 PLACES	±					2072620002		PSD	000	C2
2 PLACES	± 0.25									
1 PLACE	±									
0 PLACES	±									
DRAFT WHERE APPLICABLE MUST REMAIN WITHIN DIMENSIONS	THIRD ANGLE PROJECTION 	DRAWING	SERIES	MATERIAL NUMBER	CUSTOMER	SHEET NUMBER				
		A3-SIZE	207262	SEE TABLE	GENERAL MARKET	4 OF 4				