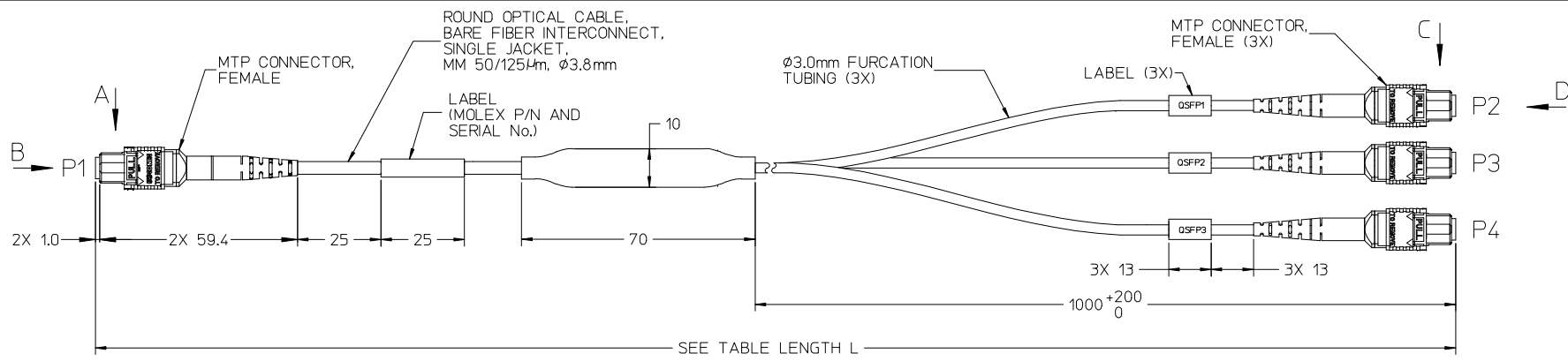


CONNECTIONS	
FROM P1 TO	
Rx-1	P2-Tx-1
Rx-2	P2-Tx-2
Rx-3	P2-Tx-3
Rx-4	P2-Tx-4
Rx-5	P3-Tx-1
Rx-6	P3-Tx-2
Rx-7	P3-Tx-3
Rx-8	P3-Tx-4
Rx-9	P4-Tx-1
Rx-10	P4-Tx-2
Rx-11	P4-Tx-3
Rx-12	P4-Tx-4
Tx-1	P2-Rx-1
Tx-2	P2-Rx-2
Tx-3	P2-Rx-3
Tx-4	P2-Rx-4
Tx-5	P3-Rx-1
Tx-6	P3-Rx-2
Tx-7	P3-Rx-3
Tx-8	P3-Rx-4
Tx-9	P4-Rx-1
Tx-10	P4-Rx-2
Tx-11	P4-Rx-3
Tx-12	P4-Rx-4



CABLE ASSEMBLY PART NUMBER			OVERALL LENGTH L (m)
STANDARD BANDWIDTH* (ORANGE CABLE)	HIGH BANDWIDTH (OM3)* (AQUA CABLE)	HIGH BANDWIDTH (OM4)* (AQUA CABLE)	
106284-3002	106284-3502	106284-7502	2.0 +0.2/-0
106284-3003	106284-3503	106284-7503	3.0 +0.2/-0
106284-3005	106284-3505	106284-7505	5.0 +0.2/-0
106284-3010	106284-3510	106284-7510	10.0 +0.3/-0
106284-3015	106284-3515	106284-7515	15.0 +0.3/-0
106284-3020	106284-3520	106284-7520	20.0 +0.4/-0

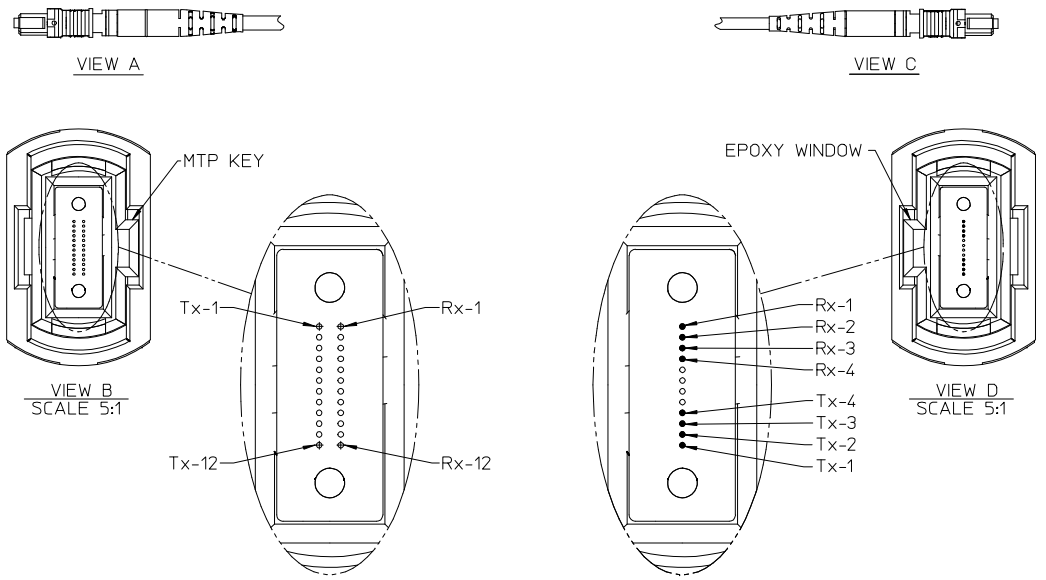


TABLE 1

FIBER TYPE	CABLE ATTENUATION (dB/km)		OVERFILLED LAUNCH BANDWIDTH, MIN. (MHz-km)		1 GIGABIT ETHERNET LINK DISTANCE, MIN. (m)		10 GIGABIT ETHERNET LINK DISTANCE, MIN. (m)		EFFECTIVE MODAL BANDWIDTH (MHz-km)
	850 nm	1300 nm	850 nm	1300 nm	850 nm	1300 nm	850 nm	1300 nm	850 nm
STANDARD BANDWIDTH (OM2)	3.5	1.2	500	500	600	600	86	---	---
HIGH BANDWIDTH (OM3)	3.5	1.2	1500	500	900	550	300	---	2000
HIGH BANDWIDTH (OM4)	3.0	1.2	3500	550	1040	550	550	---	4700

OPTICAL PROPERTIES
 FIBER TYPE: MULTIMODE 50/125 µm
 CONNECTOR INSERTION LOSS (MAX.): 1.0 dB
 *CABLE ATTENUATION (MAX.): SEE TABLE 1
 *BANDWIDTH: SEE TABLE 1

ENVIRONMENTAL PROPERTIES
 CONNECTOR MATERIALS: UL94 V-0
 CABLE FLAMMABILITY RATING: OFNP (UL 910)
 OPERATING TEMPERATURE RANGE: -0°C TO +70°C

MECHANICAL PROPERTIES
 FIBER COUNT: CXP 24F = 12 Rx / 12 Tx
 OSFP 8F = 4 Rx / 4 Tx
 CABLE MIN. BEND RADIUS SHORT TERM: 50 mm - SINGLE JACKET
 LONG TERM: 32 mm - SINGLE JACKET
 COMPRESSIVE FORCE SINGLE JACKET: >3.5 N/mm

ENTER DESCRIPTION EC NO: MF2014-0106 DRWNSB0JANIC 2013/08/27 CHKD: APPR: IGJWIN 2013/08/22 REV:	QUALITY SYMBOLS ▽=0 ▽=0	GENERAL TOLERANCES (UNLESS SPECIFIED)		DIMENSION STYLE MM ONLY	SCALE 1:1	DESIGN UNITS INCH	THIRD ANGLE PROJECTION
		4 PLACES ± --- ± --- 3 PLACES ± --- ± --- 2 PLACES ± --- ± --- 1 PLACE ± --- ± ---		DRAWN BY EEFUNG	DATE 2010/08/02	TITLE MOLEX CXP TO 3XQSFP OPTICAL CABLE ASSEMBLY	
		ANGULAR ±1/2°		APPROVED BY BANDREI	DATE 2010/08/18	MOLEX MOLEX INCORPORATED	
		DRAFT WHERE APPLICABLE MUST REMAIN WITHIN DIMENSIONS		MATERIAL NO. SEE TABLE	DOCUMENT NO. SD-106284-3002	SHEET NO. 1 OF 1	

THIS DRAWING CONTAINS INFORMATION THAT IS PROPRIETARY TO MOLEX INCORPORATED AND SHOULD NOT BE USED WITHOUT WRITTEN PERMISSION