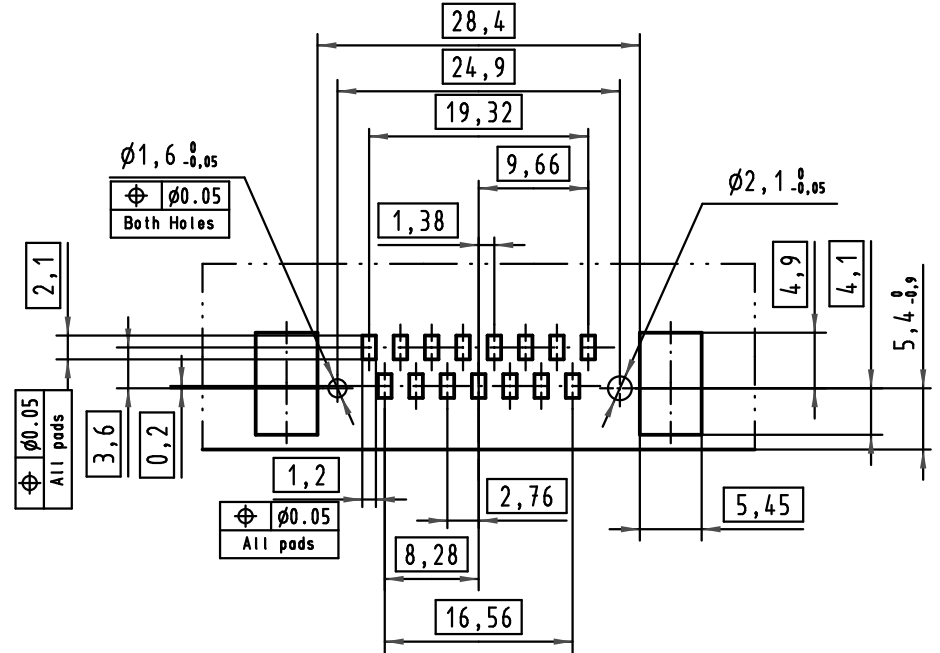
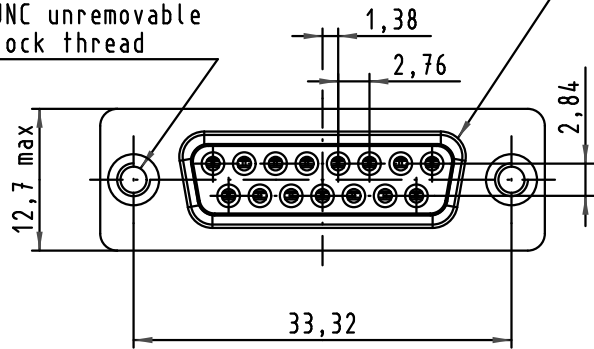
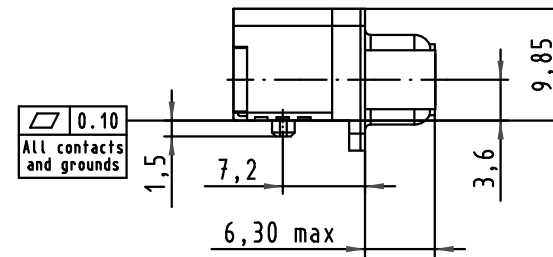


Mating face according to CECC 75301-802

4-40 UNC unremovable screwlock thread

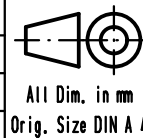


PCB Layout, component side (thickness 1,6mm min.)



Max. Temperature: 260°C during 10 seconds

Mod.	Dot.	Name	Det.	Dot.	Name
			Detail.	29Sep2009	LP
			Insp.		
			Stand.		
EC01257	25Jan2010	ED	HARTING EURL F-95972 Paris		
EC00385	29/09/2009	LP			
Mod.	Dot.	Name			



D-SUB SMT
Low Profile Female 15p
with die casted grounds
and 4-40 UNC unremovable screwlocks

Maßstab/
Scale

1,5:1

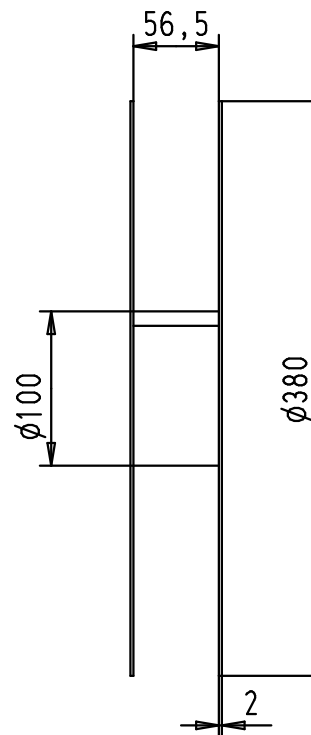
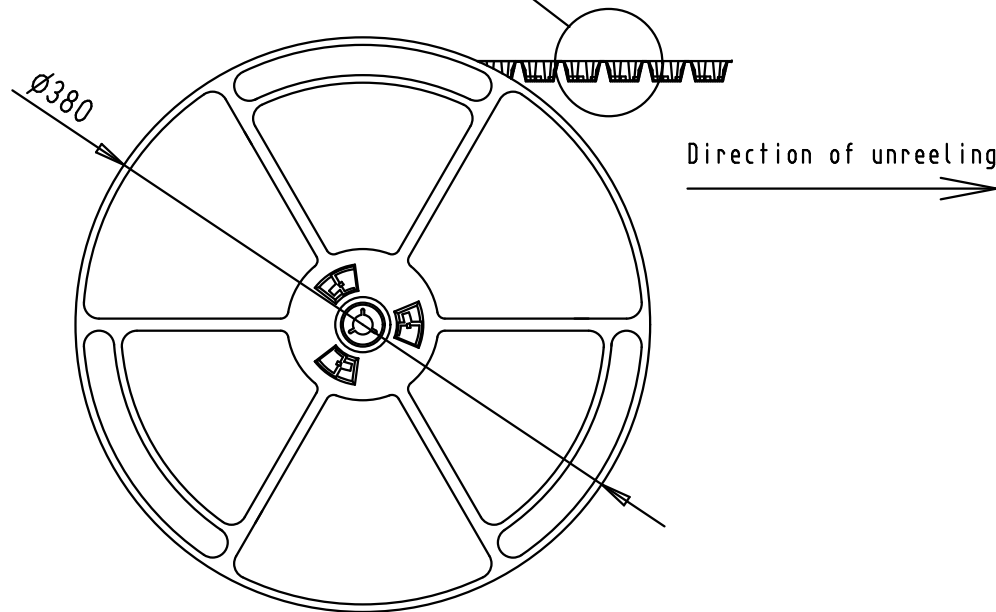
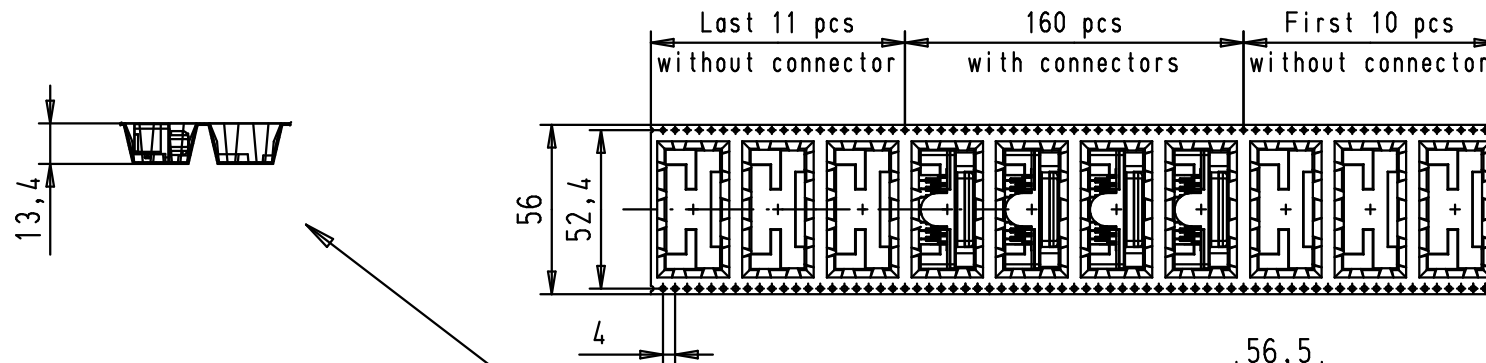
Part number	PL	Thread	Index designation	Mod.	Dot.	Name
09552563620.741	1	4-40 UNC	Black Insulator	Reel Packaging (160 connectors) see page 2/2		
09552566620.741	2					
09552567620.741	3					

TB 09 55 256 x620

Blatt/ Page

1/2

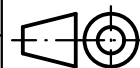
Sub.



See TB 09 55 256 x620 folio 1/2 for connector dimensions and PCB layout

Packaging in accordance with EIA 481-2-A

				Dot.	Name
				Detail.	17Jul2006 ED
				Insp.	
				Stand.	



All Dim. in mm
Orig. Size DIN A 4

D-SUB SMT
Low Profile Female 15p
with die casted grounds
and 4-40UNC unremovable screwlocks

Maßstab/
Scale

09552563620.741	1	4-40 UNC	Black Insulator	Reel Packaging (160 connectors)
09552566620.741	2			
09552567620.741	3			
Part number	PL	Thread	Index designation	

EC01257	25Jan2010	ED
EC01078	09Nov2009	LP
Mod.	Dot.	Name

HARTING EURL
F-95972 Paris



TB 09 55 256 x620

Blatt/ Page
2 / 2

Sub.