

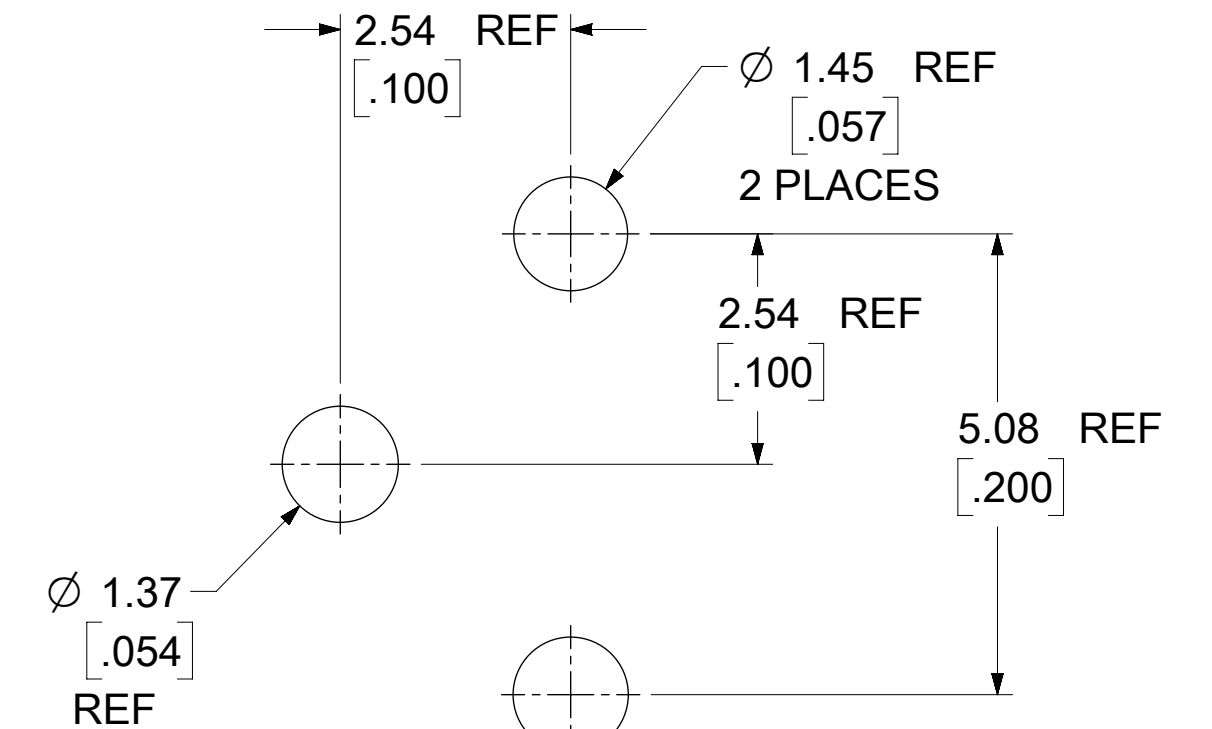
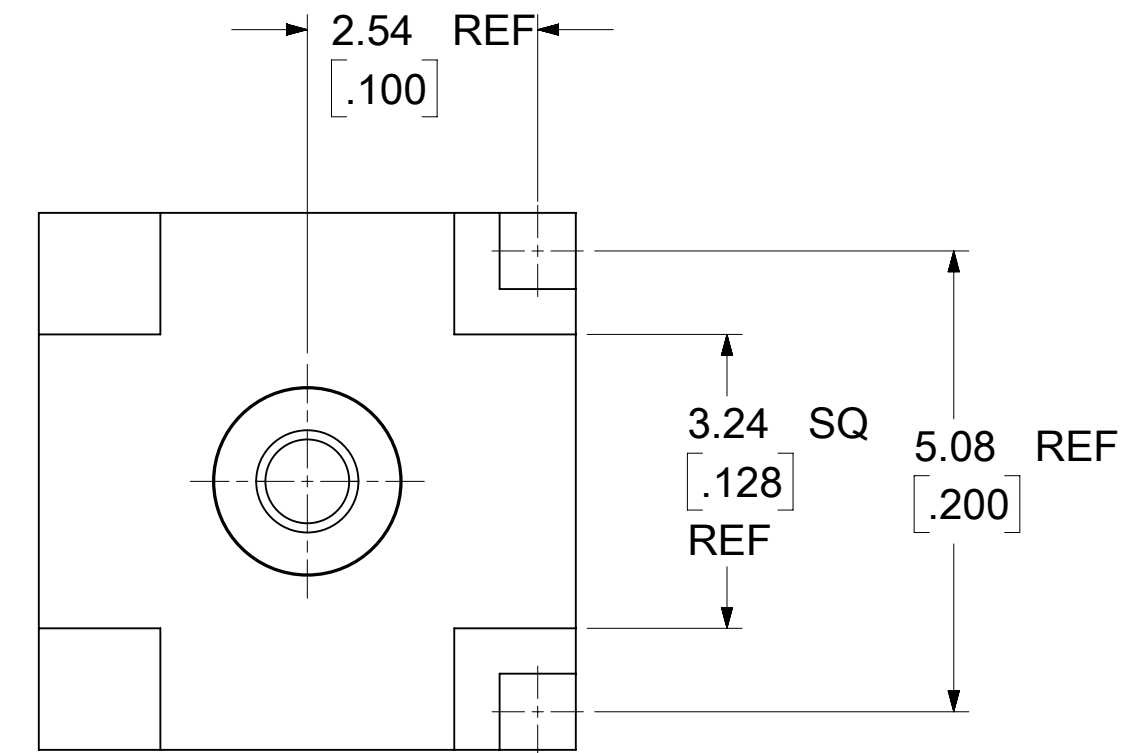
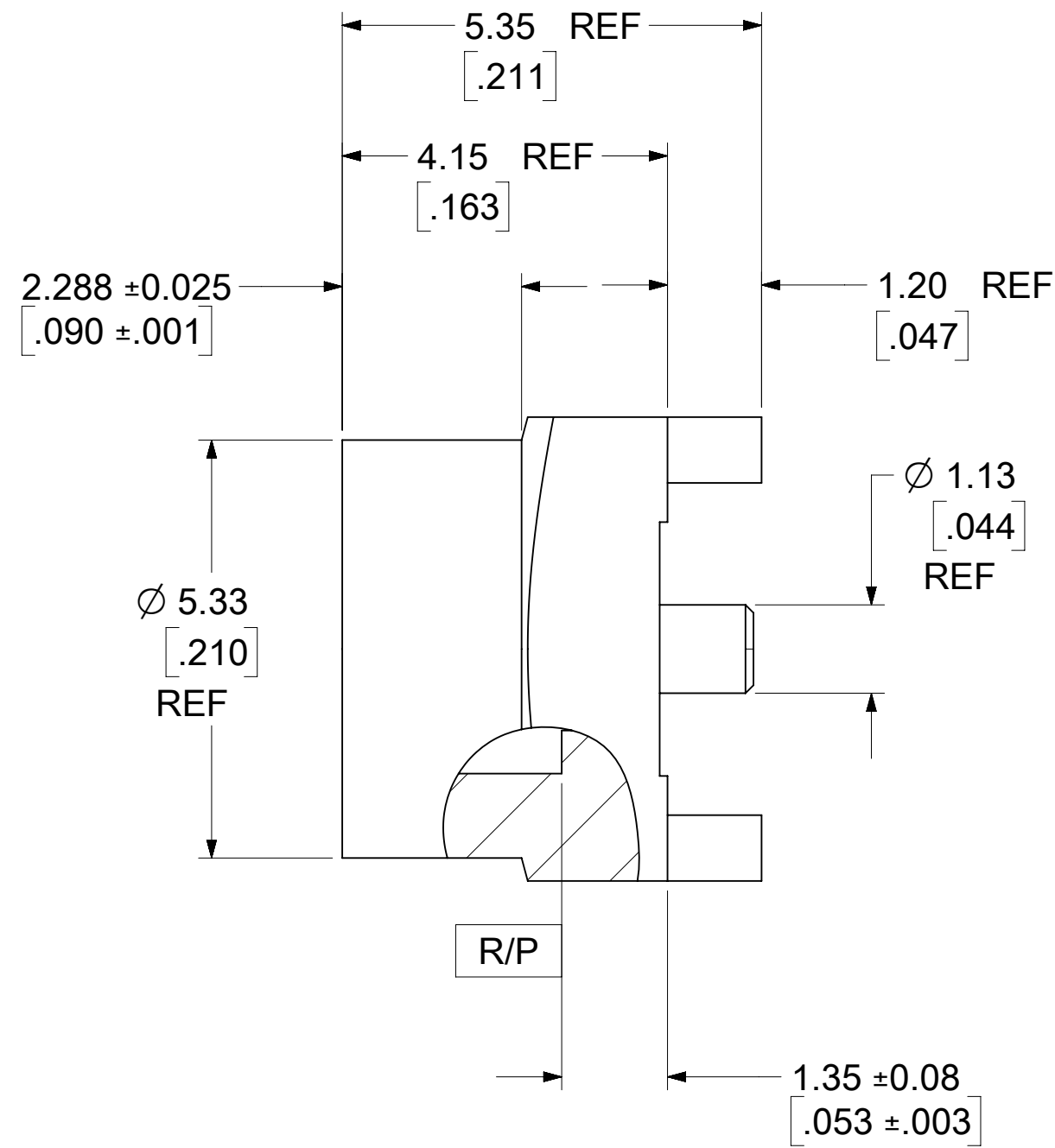
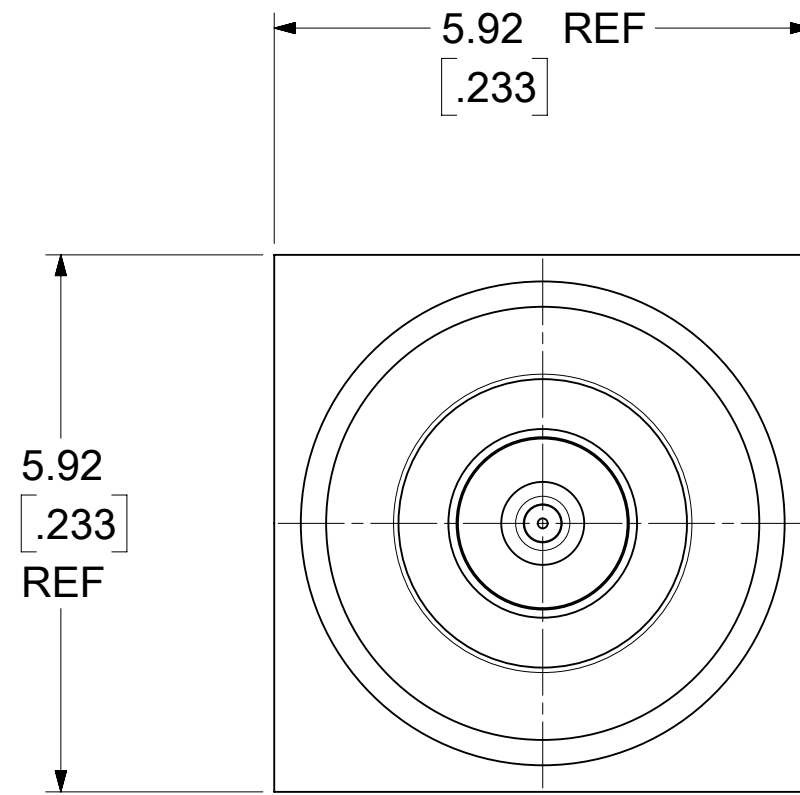
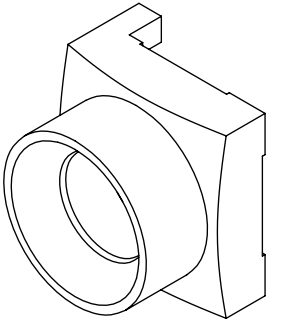
MATERIALS AND FINISHES:

BODY, CONTACT: BRASS  
 PLATED: GOLD (30μ-in MIN)  
 OVER NICKEL (100μ-in MIN)

INSULATOR: PTFE

KAPTON: POLYIMIDE  
 COLOR: BLACK

SEE SHEET 2 & 3 FOR  
 TAPE AND REEL INSTRUCTION



RECOMMENDED PCB LAYOUT

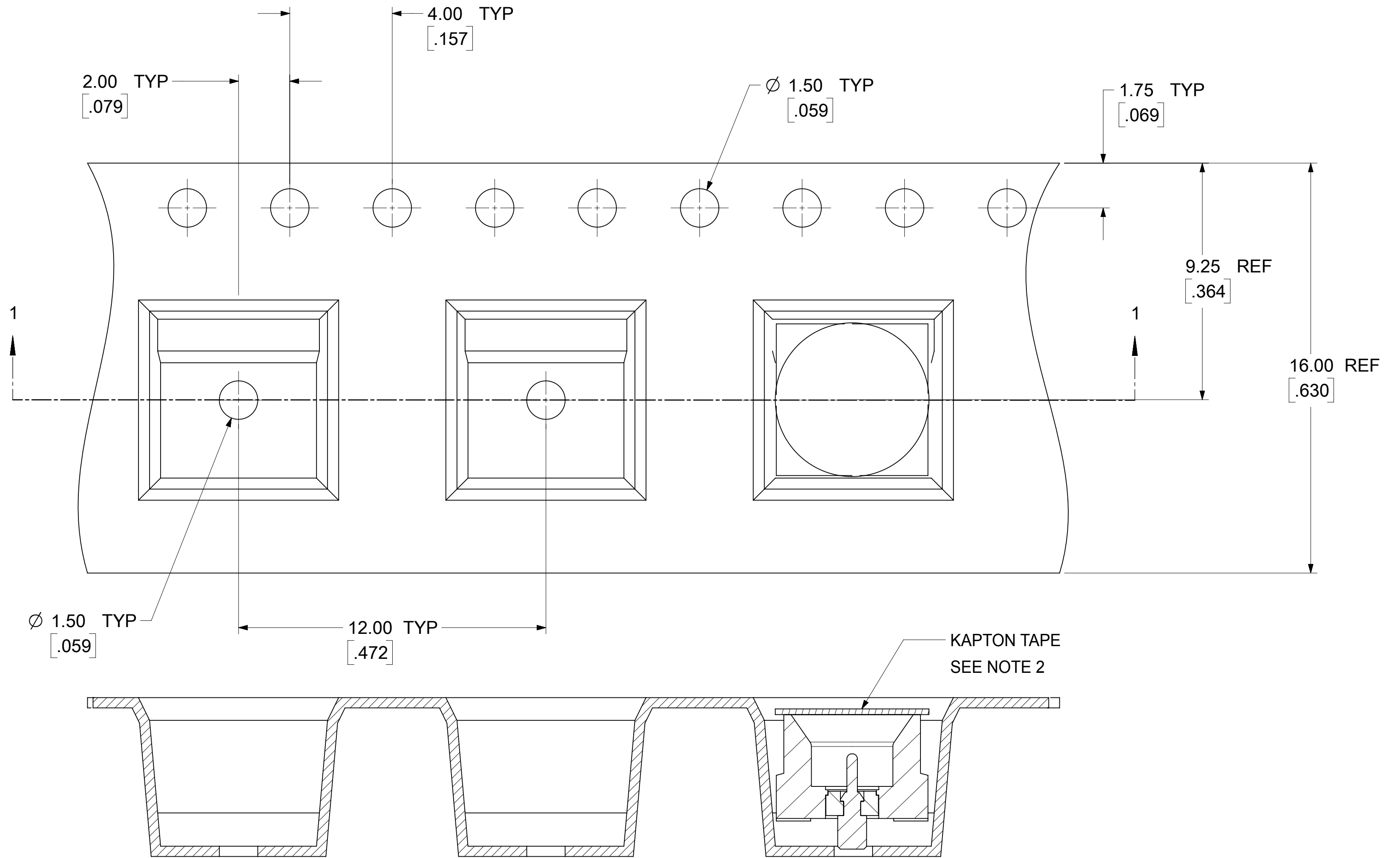
73415-4801	ONE PER BAG	895420470
73415-4800	TAPE & REEL	-----
PART #	PACKAGING	PACKING SPEC

PS-89675-3320	PRODUCT SPECIFICATION
MIL-STD-348B, FIG. 326.5	INTERFACE
SPECIFICATION	DESCRIPTION

FUNCTIONAL SYMBOLS $\nabla_A = 0$ $\nabla_C = 0$ $\nabla_P = 0$	THIS DRAWING CONTAINS INFORMATION THAT IS PROPRIETARY TO MOLEX ELECTRONIC TECHNOLOGIES, LLC AND SHOULD NOT BE USED WITHOUT WRITTEN PERMISSION	CURRENT REV DESC:					
	DIMENSION UNITS	SCALE	EWR # 15321-E ADDED -4801 PART NO				
	MM/INCH	NTS	EC NO: 718007		SMP PLUG 50 OHM PCB SMP-P/PCB		
	GENERAL TOLERANCES (UNLESS SPECIFIED)		DRWN: JSU18 2022/08/11				
ANGULAR TOL ± °		CHK'D: YCHENG 2022/08/24		PRODUCT CUSTOMER DRAWING			
4 PLACES ±		APPR: YCHENG 2022/08/24					
3 PLACES ±		INITIAL REVISION:		DOCUMENT NUMBER <b>SD-73415-480</b>			
2 PLACES ± 0.25		DRWN: YCHENG 2005/01/05					DOC TYPE DOC PART REVISION PSD 001 F2
1 PLACE ±		APPR: MHUANG 2005/01/07		MATERIAL NUMBER CUSTOMER SHEET NUMBER GENERAL MARKET 1 OF 3			
0 PLACES ±		THIRD ANGLE PROJECTION					DRAWING SERIES C-SIZE 73415
DRAFT WHERE APPLICABLE MUST REMAIN WITHIN DIMENSIONS							

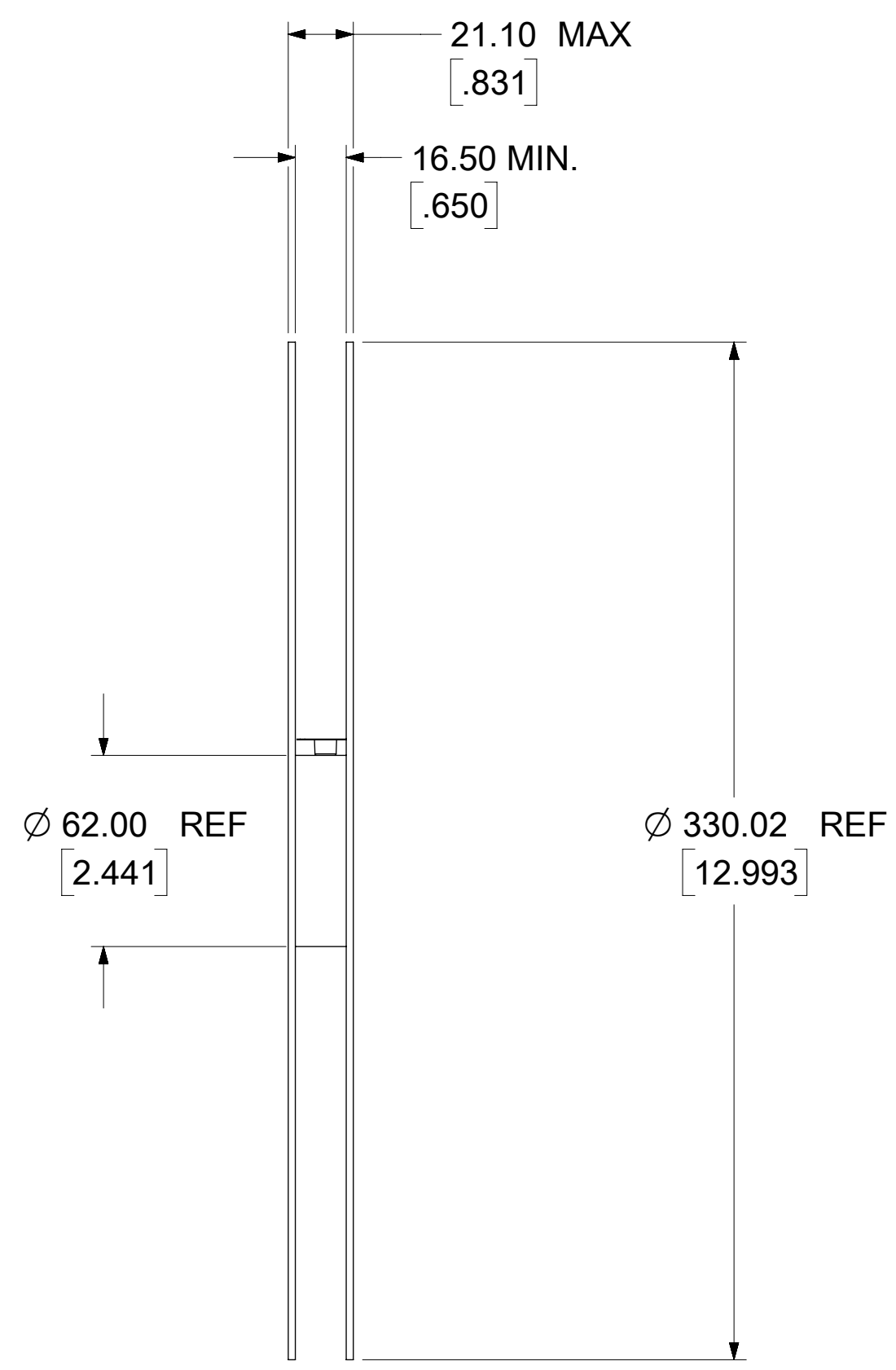
NOTE:

1. 10 PITCHES CUMULATIVE TOLERANCE  $\pm .008(0.20)$
2. KAPTON TAPE OR EQUIVALENT MUST BE PLACED ON TOP OF THE CONNECTOR ASSEMBLY FOR PICK AND PLACE.



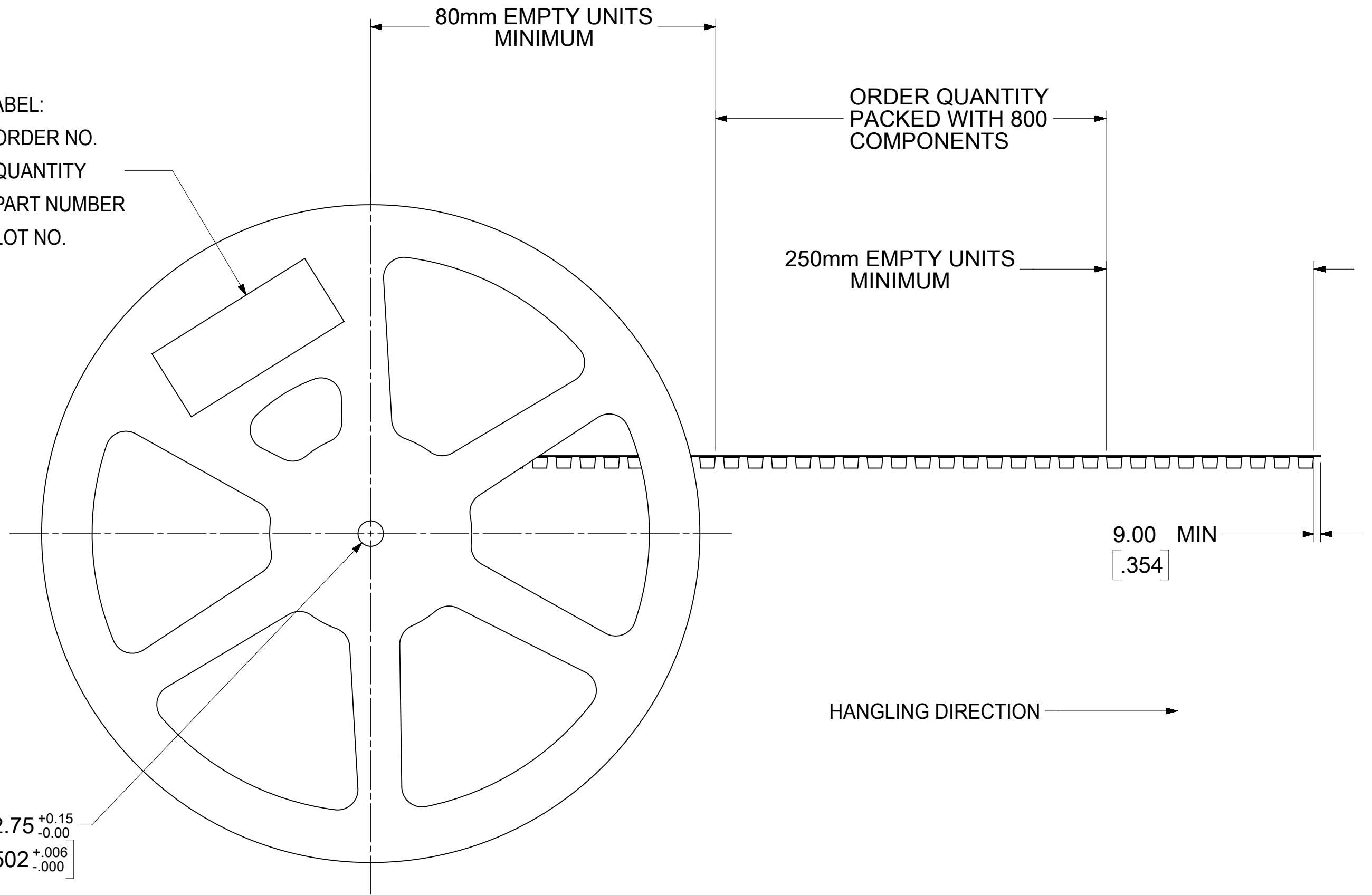
Section 1-1

FUNCTIONAL SYMBOLS										THIS DRAWING CONTAINS INFORMATION THAT IS PROPRIETARY TO MOLEX ELECTRONIC TECHNOLOGIES, LLC AND SHOULD NOT BE USED WITHOUT WRITTEN PERMISSION									
DIMENSION UNITS					SCALE					CURRENT REV DESC:									
MM/INCH					NTS					EWR # 15321-E ADDED -4801 PART NO									
GENERAL TOLERANCES (UNLESS SPECIFIED)										EC NO: 718007									
ANGULAR TOL $\pm$ °										DRWN: JSU18					2022/08/11				
4 PLACES $\pm$										CHK'D: YCHENG					2022/08/24				
3 PLACES $\pm$										APPR: YCHENG					2022/08/24				
2 PLACES $\pm$ 0.25										INITIAL REVISION:									
1 PLACE $\pm$										DRWN: YCHENG					2005/01/05				
0 PLACES $\pm$										APPR: MHUANG					2005/01/07				
DRAFT WHERE APPLICABLE MUST REMAIN WITHIN DIMENSIONS					THIRD ANGLE PROJECTION					DRAWING					SERIES				
										C-SIZE					73415				
DOCUMENT STATUS					P1					RELEASE DATE					2022/08/24 02:18:07				
SD-73415-480					PSD					001					F2				
GENERAL MARKET					SHEET NUMBER					2 OF 3									



LABEL:  
- ORDER NO.  
- QUANTITY  
- PART NUMBER  
- LOT NO.

Ø 12.75<sup>+0.15</sup><sub>-0.00</sub>  
[.502<sup>+0.006</sup><sub>-0.000</sub>]



THIS DRAWING CONTAINS INFORMATION THAT IS PROPRIETARY TO MOLEX ELECTRONIC TECHNOLOGIES, LLC AND SHOULD NOT BE USED WITHOUT WRITTEN PERMISSION											
FUNCTIONAL SYMBOLS		DIMENSION UNITS		SCALE		CURRENT REV DESC:					
FA = 0		MM/INCH		NTS		EWR # 15321-E ADDED -4801 PART NO					
FC = 0		GENERAL TOLERANCES (UNLESS SPECIFIED)		ANGULAR TOL ± °		EC NO: 718007					
FP = 0		4 PLACES ±		3 PLACES ±		DRWN: JSU18		2022/08/11		SMP PLUG 50 OHM PCB SMP-P/PCB	
DIVISIONAL SYMBOLS		2 PLACES ± 0.25		1 PLACE ±		CHK'D: YCHENG		2022/08/24		PRODUCT CUSTOMER DRAWING	
0 PLACES ±		DRAFT WHERE APPLICABLE MUST REMAIN WITHIN DIMENSIONS		THIRD ANGLE PROJECTION		APPR: YCHENG		2022/08/24		DOCUMENT NUMBER	
		DRAFT WHERE APPLICABLE MUST REMAIN WITHIN DIMENSIONS		THIRD ANGLE PROJECTION		APPR: YCHENG		2022/08/24		SD-73415-480	
		DRAFT WHERE APPLICABLE MUST REMAIN WITHIN DIMENSIONS		THIRD ANGLE PROJECTION		APPR: MHUANG		2005/01/05		DOC TYPE	
		DRAFT WHERE APPLICABLE MUST REMAIN WITHIN DIMENSIONS		THIRD ANGLE PROJECTION		APPR: MHUANG		2005/01/07		DOC PART	
		DRAFT WHERE APPLICABLE MUST REMAIN WITHIN DIMENSIONS		THIRD ANGLE PROJECTION		APPR: MHUANG		2005/01/07		REVISION	
		DRAFT WHERE APPLICABLE MUST REMAIN WITHIN DIMENSIONS		THIRD ANGLE PROJECTION		APPR: MHUANG		2005/01/07		F2	
		DRAFT WHERE APPLICABLE MUST REMAIN WITHIN DIMENSIONS		THIRD ANGLE PROJECTION		APPR: MHUANG		2005/01/07		SHEET NUMBER	
		DRAFT WHERE APPLICABLE MUST REMAIN WITHIN DIMENSIONS		THIRD ANGLE PROJECTION		APPR: MHUANG		2005/01/07		3 OF 3	
		DRAFT WHERE APPLICABLE MUST REMAIN WITHIN DIMENSIONS		THIRD ANGLE PROJECTION		APPR: MHUANG		2005/01/07		GENERAL MARKET	
		DRAFT WHERE APPLICABLE MUST REMAIN WITHIN DIMENSIONS		THIRD ANGLE PROJECTION		APPR: MHUANG		2005/01/07		C-SIZE	
		DRAFT WHERE APPLICABLE MUST REMAIN WITHIN DIMENSIONS		THIRD ANGLE PROJECTION		APPR: MHUANG		2005/01/07		73415	
		DRAFT WHERE APPLICABLE MUST REMAIN WITHIN DIMENSIONS		THIRD ANGLE PROJECTION		APPR: MHUANG		2005/01/07		MATERIAL NUMBER	
		DRAFT WHERE APPLICABLE MUST REMAIN WITHIN DIMENSIONS		THIRD ANGLE PROJECTION		APPR: MHUANG		2005/01/07		CUSTOMER	
		DRAFT WHERE APPLICABLE MUST REMAIN WITHIN DIMENSIONS		THIRD ANGLE PROJECTION		APPR: MHUANG		2005/01/07		GENERAL MARKET	