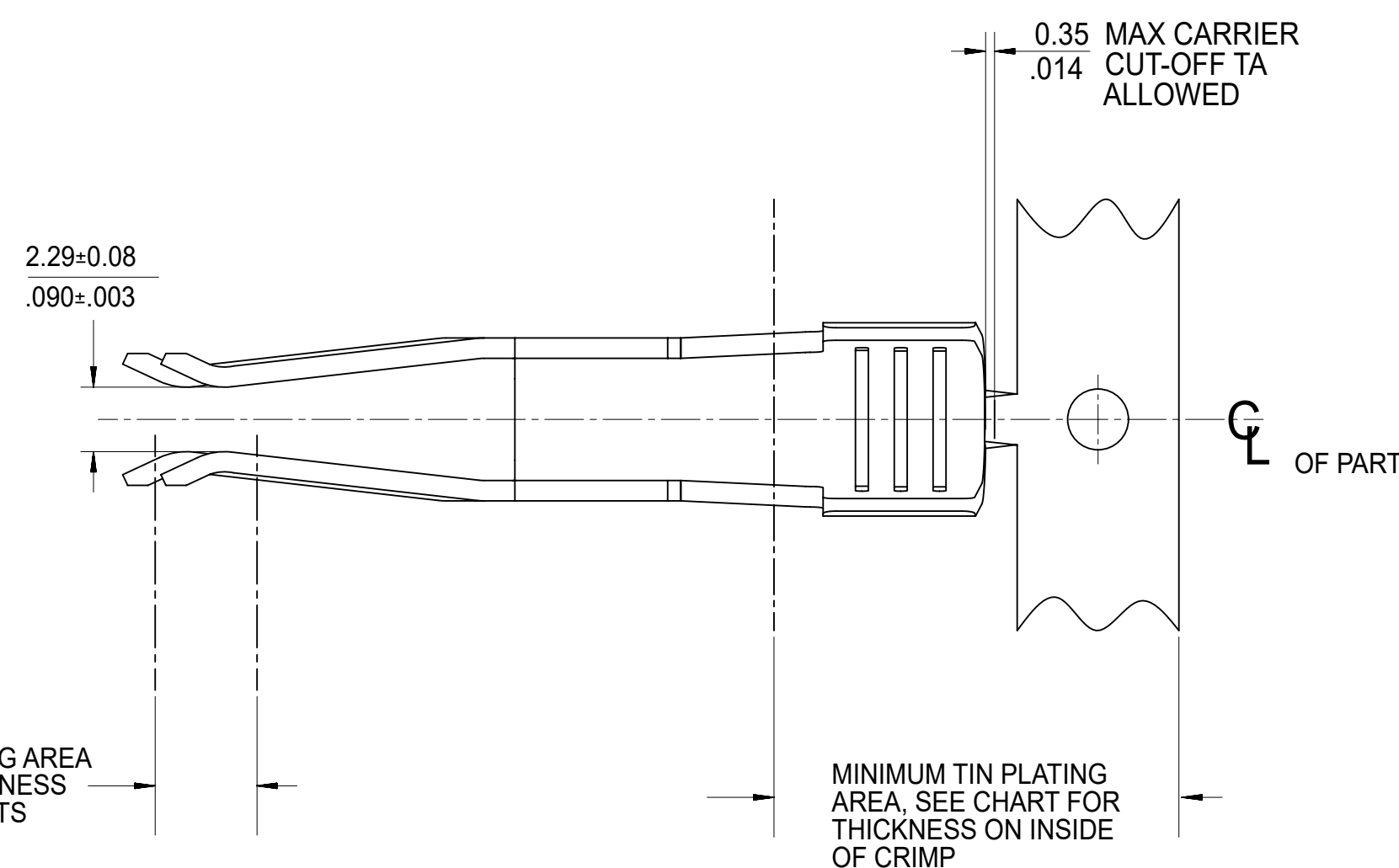
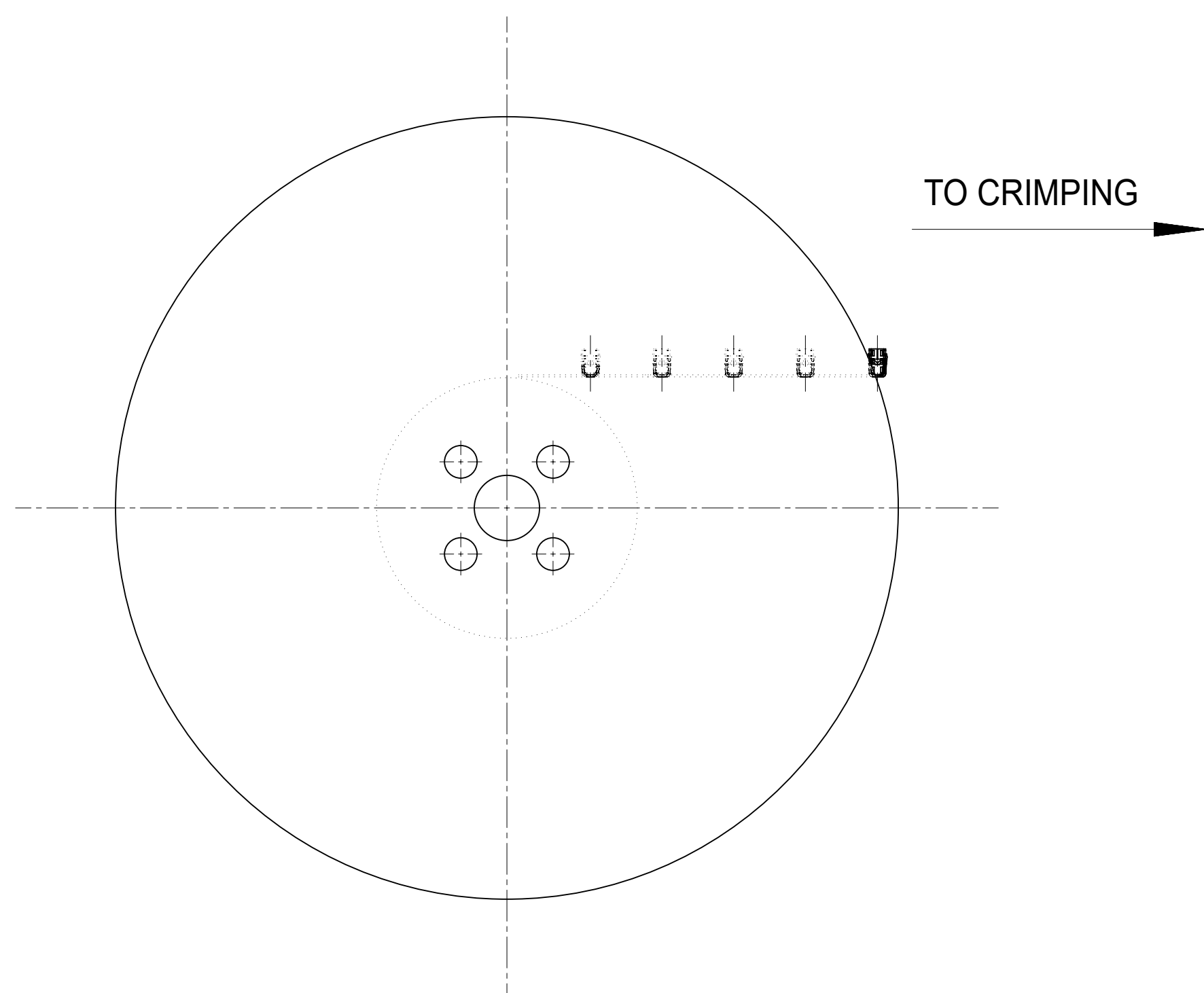
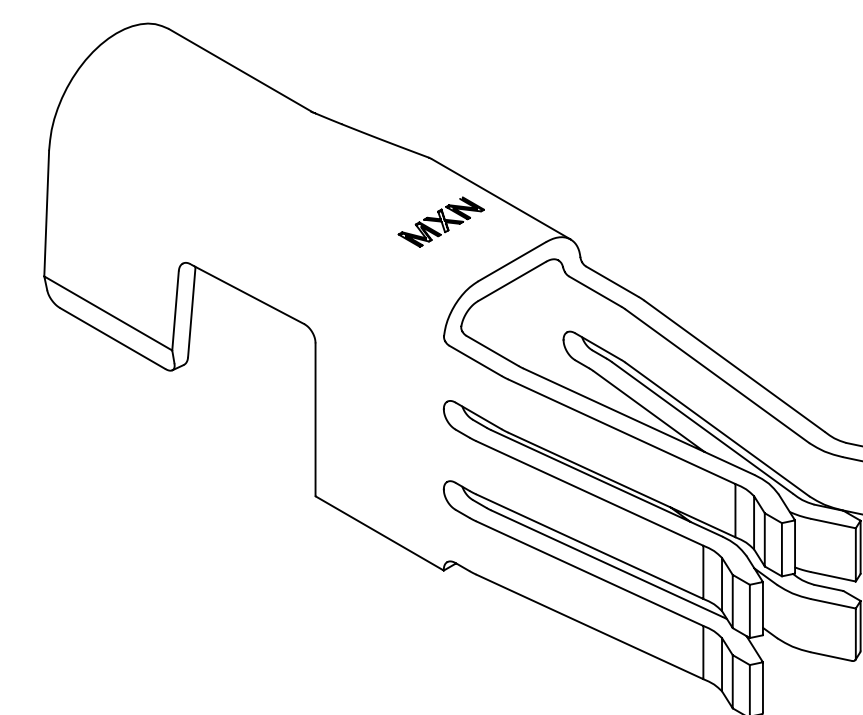
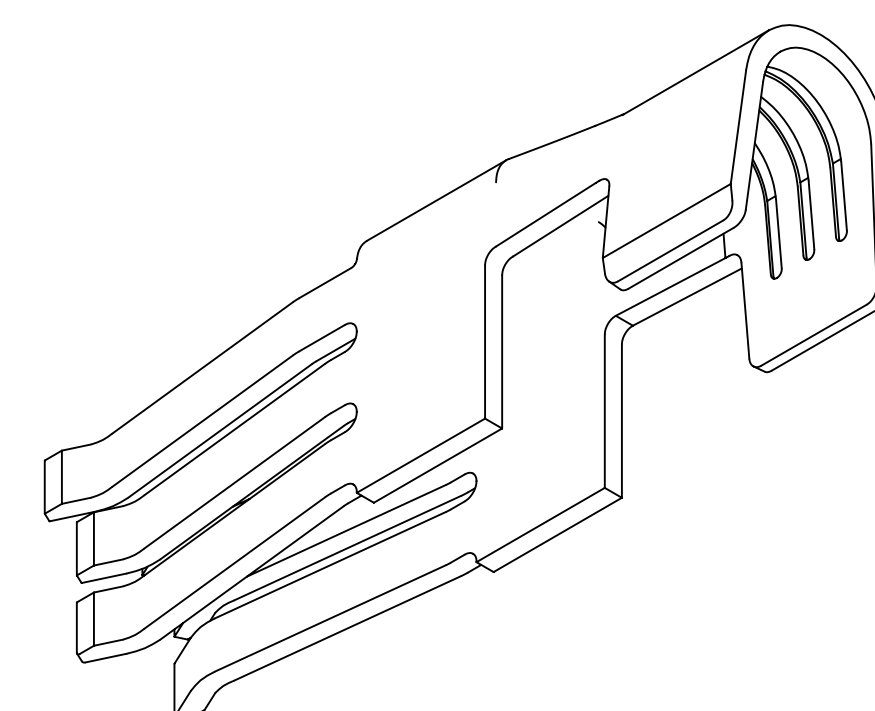
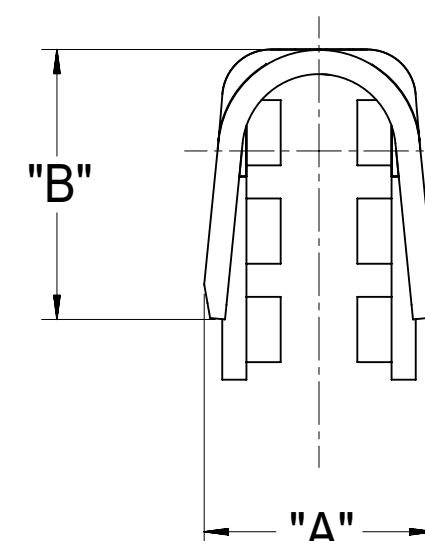
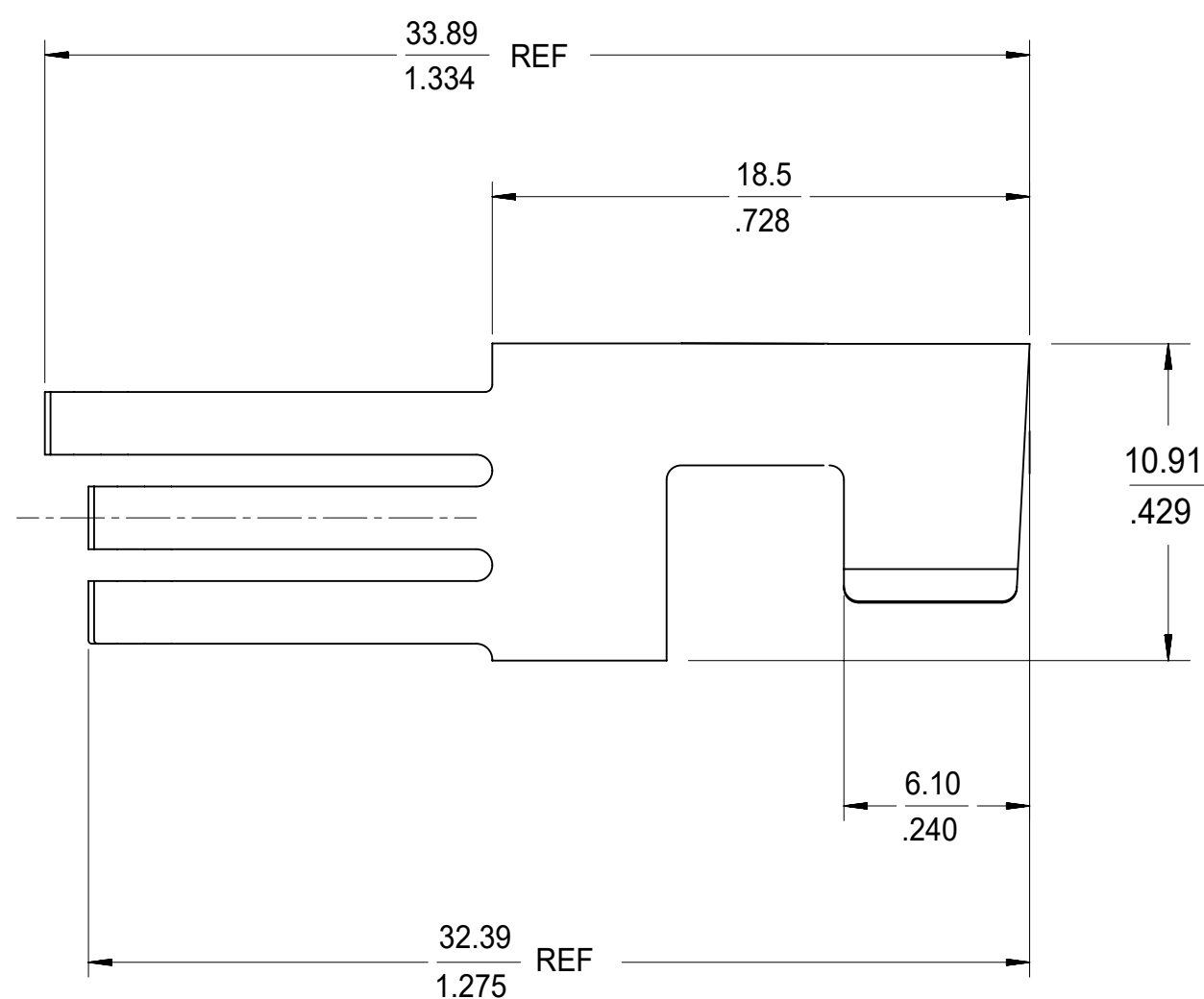
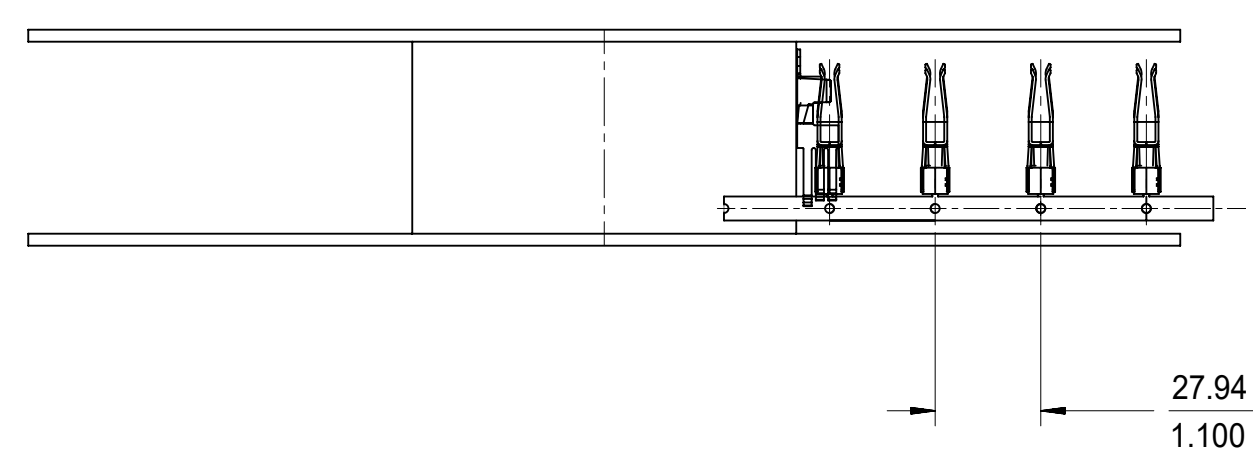


PART NUMBER	CRIMP SIZE	NUMBER OF TERMINALS PER REEL	PLATING	DIM "A" WIDTH	DIM "B" HEIGHT
46819-0012	8	900	100μ INCHES OF MATTE SELECT TIN OVER 50μ INCHES OF NICKEL OVERALL WITH 30μ INCHES OF SELECT GOLD	7.12 ± 0.25 .280 ± .010	7.84 ± 0.30 .309 ± .012
46819-0013	6	900		7.62 ± 0.25 .300 ± .010	8.92 ± 0.30 .350 ± .012

NOTES:

- MATERIAL: COPPER ALLOY .80/.032 THICK
- FINISH: PER MOLEX PLATING SPECIFICATION ES-88 - SEE CHART
- FOR CRIMP TOOLING CONTACT MOLEX OR VISIT THE MOLEX WEBSITE AT: WWW.MOLEX.COM
- SEE PRODUCT SPECIFICATION: PS-46819-001 FOR MORE INFORMATION
- FOR CRIMP SET UP INFORMATION SEE MOLEX APPLICATION SPECIFICATION DOCUMENT:
6 AWG - ATS-638320600
8 AWG - ATS-638320700
- DESIGNED TO MATE WITH MOLEX P/N 46817-****, 151035-****, 151053-****.
- TERMINAL FOR USE WITH HOUSINGS 46818-000*, 170351-000*, 151034-00**
- TERMINAL FOR USE WITH TPA 46821-0001, 151076-****



MINIMUM GOLD PLATING AREA
SEE CHART FOR THICKNESS
ON INSIDE OF CONTACTS

MINIMUM TIN PLATING AREA
SEE CHART FOR THICKNESS ON INSIDE
OF CRIMP

THIS DRAWING CONTAINS INFORMATION THAT IS PROPRIETARY TO MOLEX ELECTRONIC TECHNOLOGIES, LLC AND SHOULD NOT BE USED WITHOUT WRITTEN PERMISSION

DIMENSION UNITS	SCALE	CURRENT REV DESC:	
mm/in	4:1		
GENERAL TOLERANCES (UNLESS SPECIFIED)			
	MM	INCH	
4 PLACES	±	±	
3 PLACES	±	± 0.005	
2 PLACES	±	± 0.13 ± 0.01	
1 PLACE	±	± 0.25 ±	
0 PLACES	±	±	
ANGULAR TOL	± 0.5 °		
DRAFT WHERE APPLICABLE MUST REMAIN WITHIN DIMENSIONS		THIRD ANGLE PROJECTION	
		D-DRAWING SERIES MATERIAL NUMBER CUSTOMER SHEET NUMBER	
		D-SIZE 46819 SEE CHART GENERAL MARKET 1 OF 1	

molex

GUARDIAN
TERMINAL - HIGH POWER CRIMP CONTACT

PRODUCT CUSTOMER DRAWING

DOCUMENT NUMBER	DOC TYPE	DOC PART	REVISION
SD-46819-001	PSD	001	B1