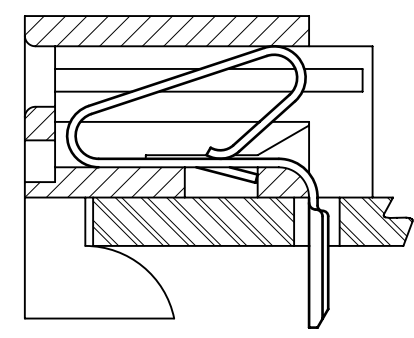
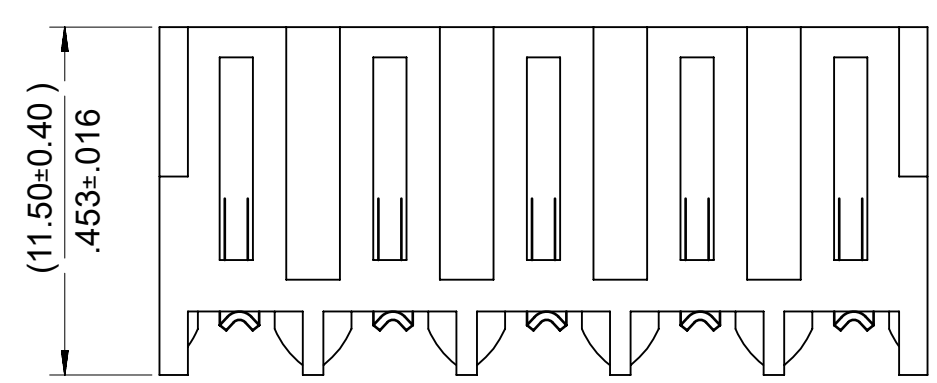
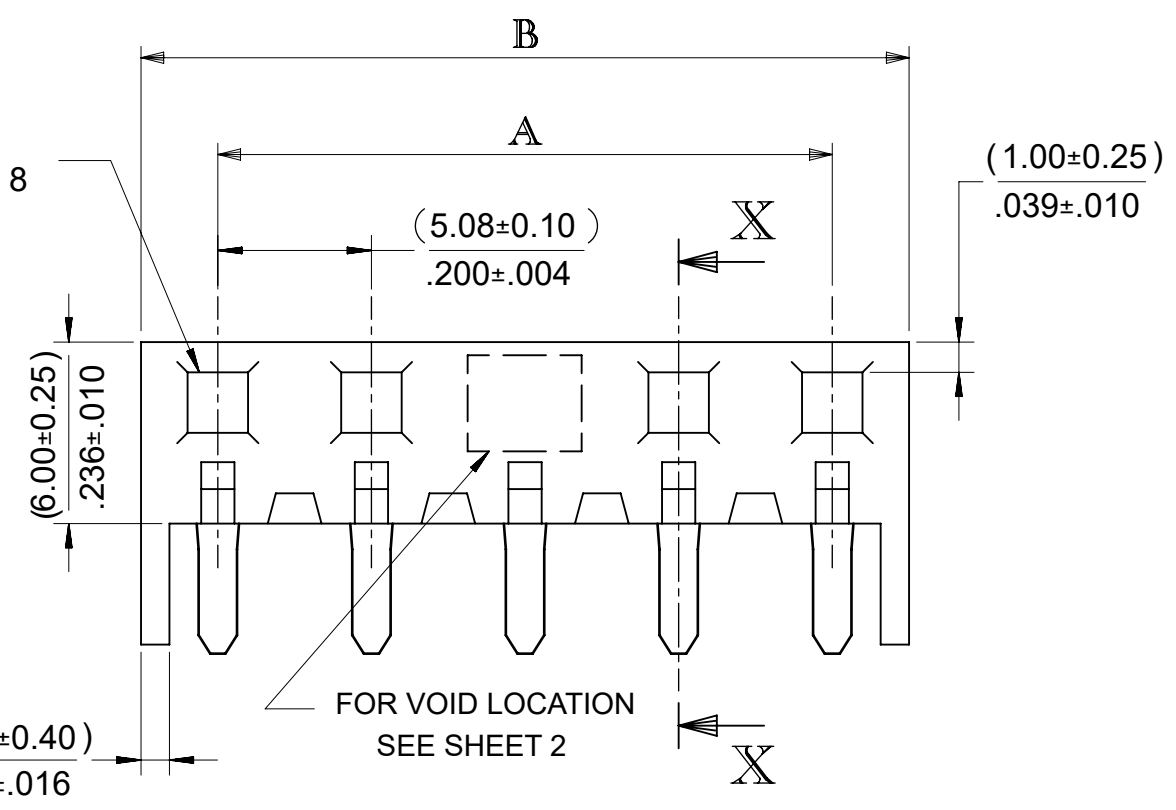
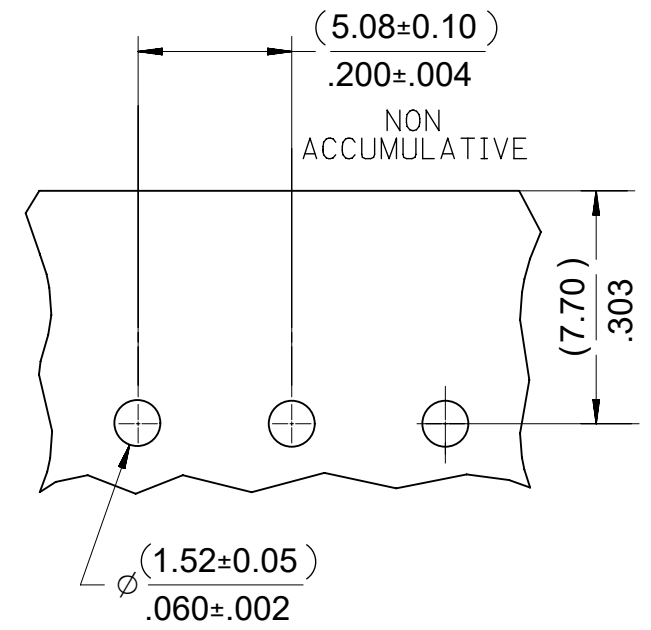


CCT	PART No.	ENG No.	DIM A	DIM B
11	10-10-1111	AE-3002-11A	(50.80 ± 0.20) 2.000 ± .008	(55.88 ± 0.2) 2.200 ± .012

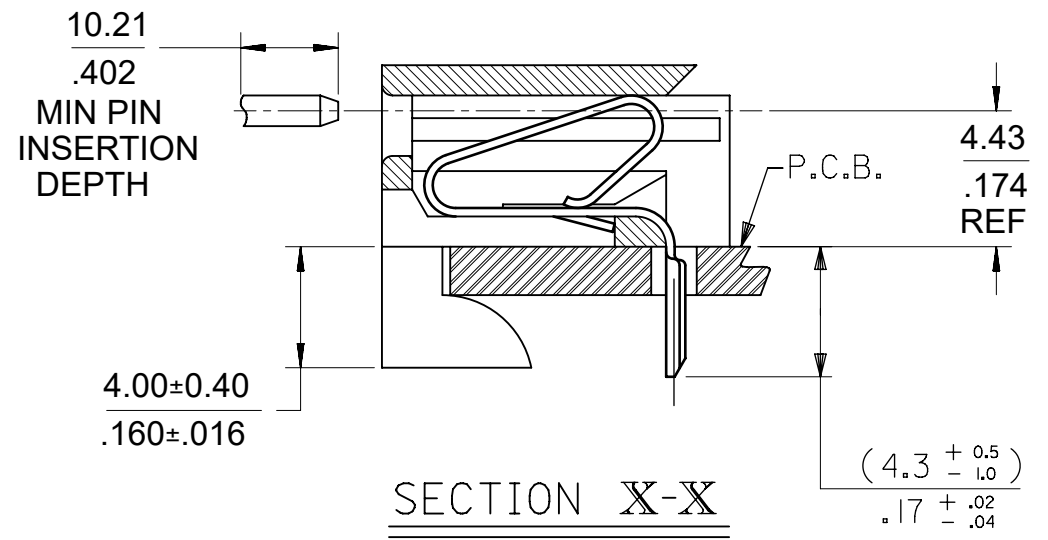
CIRCUIT 1
SEE NOTE 8



OPTIONAL CORE



RECOMMENDED P.C.B.HOLE DIMENSIONS
RECOMMENDED P.C.B. THICKNESS: 1.57/.062



SECTION X-X

- NOTES:
- HOUSING : NYLON, UL94V-2, COLOR: NATURAL
TERMINAL : PHOSPHOR BRONZE
 - FINISH: HOT TIN DIP. (0.00254)/.000100 MIN
 - PRODUCT SPECIFICATION : PS-99020-0087
 - PACKAGING SPECIFICATION : TBD
 - HOUSING SUITABLE FOR (1.14±0.15)/.045±.006 RD OR SQ. PINS
 - HOOKS AVAILABLE ON ENDS ONLY
 - THIS PART CONFORMS TO CLASS B REQUIREMENTS OF COSMETIC SPECIFICATION PS-45499-002
 - CIRCUIT 1 I.D. USED TO DEFINE VOID LOCATION.
CIRCUIT 1 MAY OR MAY NOT LINE UP WITH CIRCUIT 1 OF MATING PART

THIS DRAWING CONTAINS INFORMATION THAT IS PROPRIETARY TO MOLEX ELECTRONIC TECHNOLOGIES, LLC AND SHOULD NOT BE USED WITHOUT WRITTEN PERMISSION									
DIMENSION UNITS MM/IN		SCALE 4:1		CURRENT REV DESC: OBSOLETE LTB PART NUMBER			molex		
GENERAL TOLERANCES (UNLESS SPECIFIED)				EC NO: 734742					
				DRWN: SUGEEB 2022/12/29			KONEKTCON AND P.C. TAIL TERMINAL ASSEMBLY (5.08)/.200 PITCH		
4 PLACES ±		±		CHK'D: GGA 2023/01/13			PRODUCT CUSTOMER DRAWING		
3 PLACES ±		±		APPR: GGA 2023/01/13			DOCUMENT NUMBER		
2 PLACES ±		±		INITIAL REVISION:			SDAE-3002-NA-X		
1 PLACE ±		±		DRWN: GCH 1995/06/15			DOC TYPE DOC PART REVISION		
0 PLACES ±		±		APPR: JDENNEHY 2005/08/31			PSD 001 P		
ANGULAR TOL ± °		± °		DRAFT WHERE APPLICABLE MUST REMAIN WITHIN DIMENSIONS			THIRD ANGLE PROJECTION		
				DRAWING			SHEET NUMBER		
				A3-SIZE			1 OF 2		
				SERIES			MATERIAL NUMBER		
				3002			SEE CHART		
				CUSTOMER			GENERAL MARKET		

