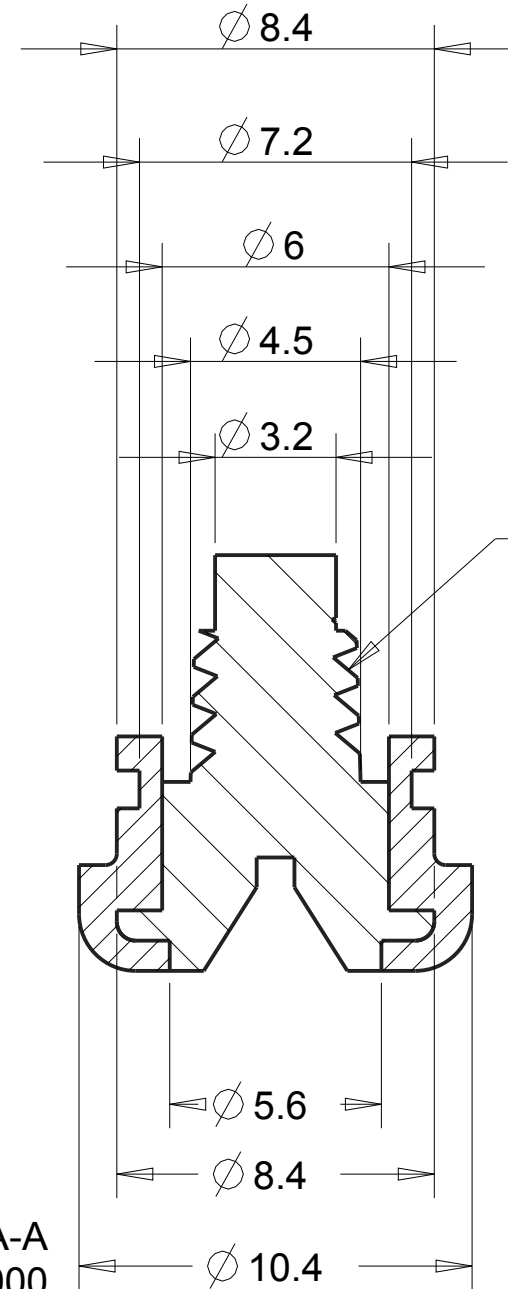
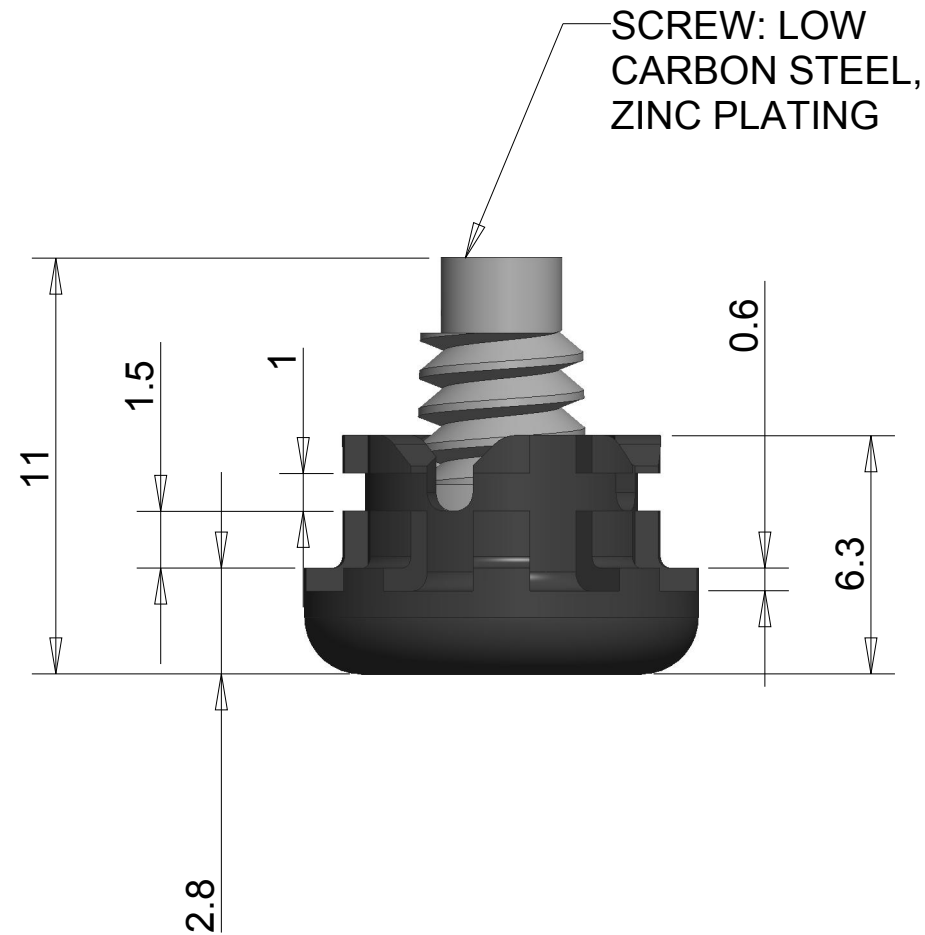




| REVISIONS | | | | |
|-----------|-----|--|---------|----------|
| DRAWN | REV | DESCRIPTION | DATE | APPROVED |
| E-A-R | 01 | FOR REV 00-02 REFER TO OLDER FORMAT DRAWING "UM-335-X" | | |
| CP | 02 | UPDATED MATERIALS AND FORMAT | 6/12/17 | |
| | | | | |



SECTION A-A
SCALE 5.000



NOTES:

1. CRITICAL DIMENSIONS ARE MARKED WITH "***".
2. CRITICAL DIMENSIONS SHALL HAVE cPK VALUE >= 1.33 WITH ONGOING SPC DATA REQUIRED.
3. FOR THREADED INSERT: Zn COATING, Cr6 FREE, ASTM B-117 (72 HOURS).
4. FOR ALL THREADED INSERT: CRITICAL DIM TOL: ± 0.08MM
ALL OTHER DIM TOL: ±0.1MM.
5. USE THE TOLARNCE TABLE ON THE LEFT FOR ELASTOMERS
6. PARTS SHALL BE INSPECTD FOR VISUAL DEFECTS INCLUDING BUT NOT LIMITED TO: OVER-CURED, UNDER-CURED, EXCESS VOIDS, INCOMPLETE FILL, TORN, AND EXCESS FLASH.

AVAILABLE MATERIALS TABLE

| PART # | MATERIAL |
|---------------|----------|
| UM-435-C-1002 | C-1002 |
| UM-435-C-8002 | C-8002 |
| UM-435-C-8012 | C-8012 |
| UM-435-C-6050 | C-6050 |

| RANGE | TOL |
|------------|--------|
| 0<DIM<2 | ± 0.15 |
| 2<=DIM<25 | ± 0.25 |
| 25<=DIM<50 | ± 0.4 |
| 50<=DIM | ± 0.6 |

| | | | | |
|---|--|---------------------------------------|-----------|----------|
| MATERIAL: | | AEARO TECHNOLOGIES LLC * a 3M company | | |
| SEE TABLE | | TITLE | | |
| UNITS: MM | | UNIVERSAL MOUNT, 3.5MM HOLE | | |
| NOTES: ANY FEATURE NOT DIMENSIONED IN PRINT MUST BE VISIBLY PRESENT, UTILIZE 3D CAD FOR CREATION | | SIZE | ITEM CODE | DWG NO. |
| | | B | | UM-435-X |

D

C

B

A

D

C

B

A

1

2

3

4

1

2

3

4