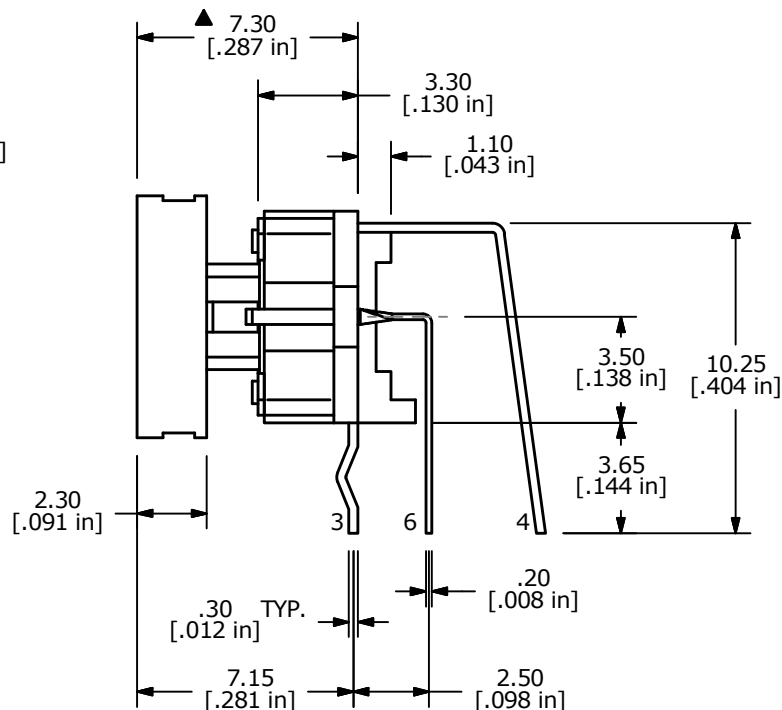
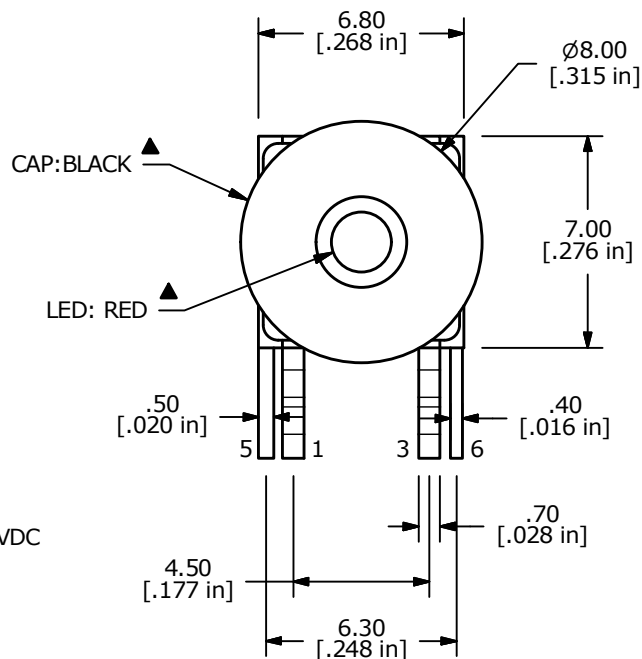
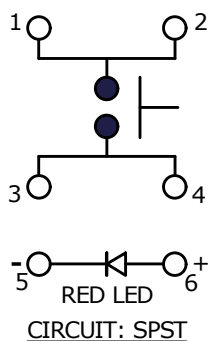
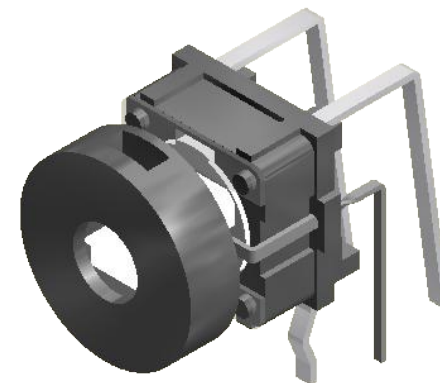


LED SPECS	UNITS	ULTRA RED
FORWARD CURRENT	mA	20 TYP.
FORWARD VOLTAGE	V	1.95 TYP. - 2.5 MAX.
LUMINOUS INTENSITY	MCD	1800 TYP.



- NOTES:
1. ALL DIMENSIONS IN MM [INCH]
 2. GENERAL TOLERANCE: X.X = ±0.4
X.XX = ±0.25
 3. RATING: 12VDC @ 50mA
 4. CONTACT RESISTANCE: 100mΩ MAX.
 5. INSULATION RESISTANCE: 100MΩ MIN., 500VDC
 - ▲ 6. OPERATING FORCE: 160 ± 50gf
 7. TRAVEL: 0.2 ± 0.1mm
 8. OPERATING TEMPERATURE: -40°C to 85°C
 9. OPERATING LIFE: 500,000 CYCLES
 - ▲ 10. LED: ULTRA RED
 11. ▲ DENOTES CRITICAL PARAMETERS
 12. 2011/65/EU (ROHS) COMPLIANT
 13. PACKAGING: 100 PIECES PER TRAY



J	22986	Update LED	8/31/17	MW
REV	PCR NO	DESCRIPTION	DATE	BY

TITLE TL1260RQRBLK				
SCALE	DATE	DR	DWG	REV
4:1	5/11/2007	TN	B200002	J

THE INFORMATION CONTAINED IN THIS DOCUMENT IS PROPRIETARY TO E-SWITCH AND IS NOT TO BE COPIED OR TRANSFERRED