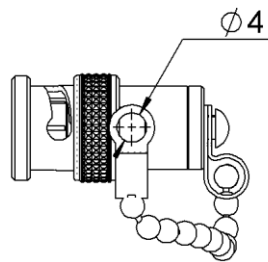
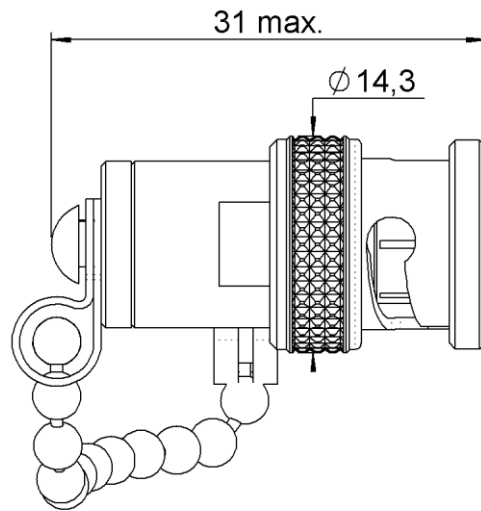
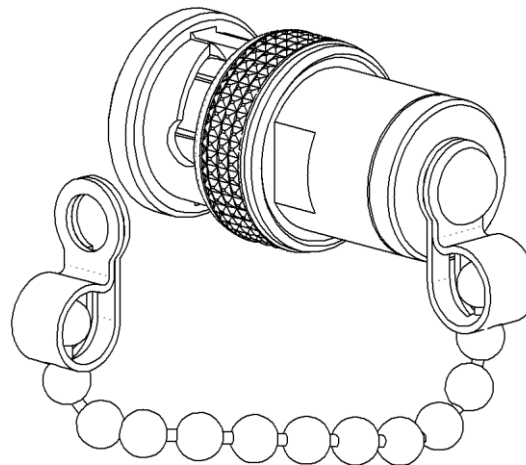


PAGE 1/2	ISSUE <b>08-09-15H</b>	SERIES <b>TERMINATION</b>	PART NUMBER <b>R404012120</b>
----------	------------------------	------------------------------	-------------------------------

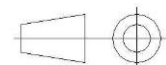


SCALE 1:1



Bead chain length=70mm

All dimensions are in mm.



COMPONENTS	MATERIALS	PLATING (µm)
Body	<b>BRASS</b>	<b>NICKEL 2</b>
Center contact	<b>BRASS</b>	<b>GOLD 1 OVER NICKEL 2</b>
Outer contact	-	-
Insulator	<b>PTFE</b>	
Gasket	<b>SILICONE RUBBER</b>	
Substrate	<b>ALUMINA</b>	
Resistor	<b>THICK FILM</b>	
Others parts	<b>BRASS</b>	<b>NICKEL 2</b>

PAGE 2/2	ISSUE <b>08-09-15H</b>	SERIES <b>TERMINATION</b>	PART NUMBER <b>R404012120</b>
----------	------------------------	------------------------------	-------------------------------

**ELECTRICAL CHARACTERISTICS**

Frequency (GHz)    **DC - 0.5**            **0.5 - 1**  
V.S.W.R (≤)            **≤1.08**                    **≤1.15**

Operating Frequency Range	<b>DC - 1</b>	GHz
Impedance	<b>75</b>	Ω
DC Resistance	<b>75</b>	Ω ± 2%
Peak power at 25°C (1μs, 1%)	<b>500</b>	W
Average power at 25°C	<b>1</b>	W (Free Air Cooled)
		W (Conduction Cooled)

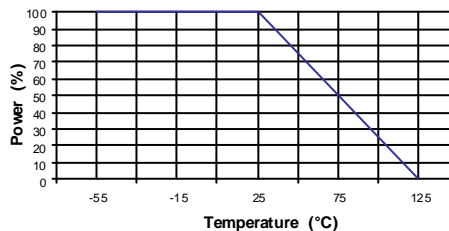
**MECHANICAL CHARACTERISTICS**

Connectors	<b>BNC</b>	<b>MALE</b>	<b>MIL C39012</b>
Weight	<b>15,8700 g</b>		

**ENVIRONMENTAL CHARACTERISTICS**

Operating temperature range	<b>-55 /+125</b>	°C
Storage temperature range	<b>-55 /+125</b>	°C

Power derating Versus temperature



**SPECIFICATION**

**OTHER CHARACTERISTICS**