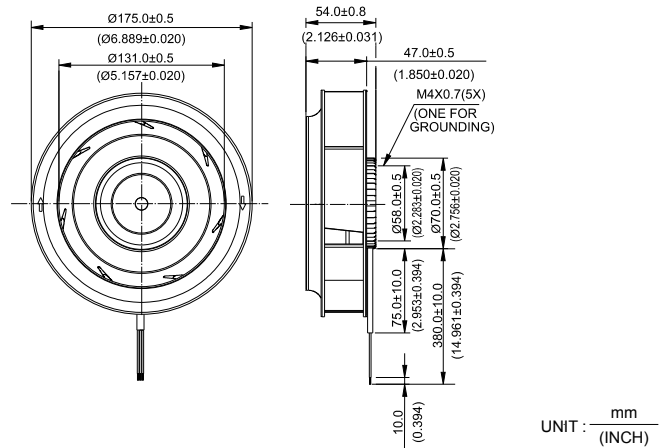
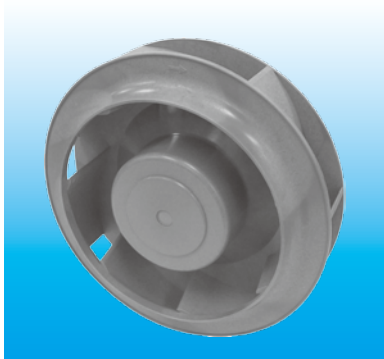


KHB $\phi 175 \times 54$ MM SERIES

DIMENSIONS DRAWING

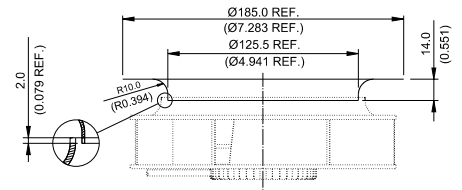
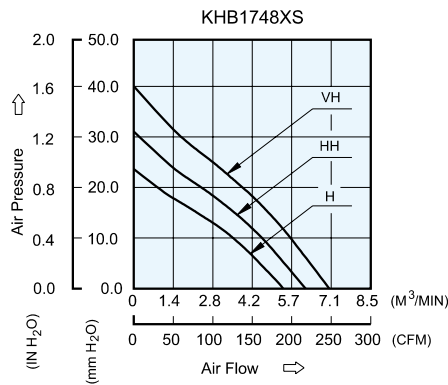


UNIT : $\frac{\text{mm}}{\text{INCH}}$

- * Bearing Type
Ball Bearings
- * Material
Impeller : Plastic (UL 94V-0)
Pillow : Die-Cast Aluminum
- * Lead Wires :
UL 1430 AWG #22 OR Equivalent
Red Wire Positive(+)
Black Wire Negative(-)
- * Weight : 620g (21.87 oz)

P & Q CURVE (AT RATED VOLTAGE)

MOUNTING PANEL CUTOUT



UNIT : $\frac{\text{mm}}{\text{INCH}}$

MODEL		Rated Voltage	Operating Voltage Range	Input Current	Input Power	Speed	Maximum Air Flow		Maximum Air Pressure		Noise
PART NO.	FUNCTION	VDC	VDC	Amp	Watt	R.P.M.	m ³ /min	CFM	mmH ₂ O	IN H ₂ O	dB-A
KHB1748HS	-R00 / -F00	48	32.0 to 80.0	0.44	21.12	2700	5.360	189.28	24.03	0.946	62.5
KHB1748HHS	-R00 / -F00	48	32.0 to 80.0	0.54	25.92	3100	6.161	217.59	31.58	1.243	66.0
KHB1748VHS	-R00 / -F00	48	32.0 to 80.0	0.65	31.20	3500	7.008	247.47	40.67	1.601	69.0

* Function type is optional.
 * The max. air flow and the speed are measured in free air ; max. air pressure is measured at zero air flow.
 * Noise is measured in anechoic chamber in free air, one meter from intake side.
 * All readings are typical values at rated voltage.
 * Specifications are subject to change without notice.