



LAYOUT SHOWN AS EXAMPLE

Keying Shown as example

CHARACTERISTICS

- Standard : Based on MIL-DTL-38999 Series III
- Shell Material : Aluminium
- Shell Plating : Olive drab Cadmium
- Insulator : Thermoplastic
- Contacts : Copper Alloy
- Seals & Grommet : Silicon Elastomer
- Contact Plating : Gold over copper Alloy 0.8µm minimum
- Durability : 500 Mating cycles
- Delivered without Souriau contacts
- Temperature Range : -65°C to +175°C
- Salt Spray : 500 hours
- Mass : 17.65 g ± 10%

Connector dimension	
Dim	Nominal
P	3.25±0.2
PP	4.39±0.2
R1	24.61
R2	23.01
S	31±0.3
V	20.83+0/-1.25
W	2.1/2.5
Z	31.5 Max
VV THREAD	M22x1-6g

SOURIAU shall not be liable for any non-conformity or damage due to a use of the Products which does not comply with the Specifications issued by either of the Parties or by a third party (professional recommendation, technical notice.)

Country	Jurisdiction & Control List
FR	Not Listed

PN: 8D015W97PCL

A	17-10-2016	First Release	
ISS	DATE	Latest modification - by	MOD N°
Designed By:		Date:	CUSTOMER DRAWING
TITLE	Aluminium Receptacle 8D series		
SCALE	NA	General linear Tolerances: ±--	NPRDS / PROJECT 859
SOURIAU	WWW.SOURIAU.COM		This document is the property of SOURIAU it must not be reproduced or communicated without permission
FORMAT	A3		SOURIAU DRG N° 8D015W97PCL-C SHEET 1/2

BASIC SERIES: 8D 0 - 15 W 97 P C L

SHELL TYPE : Square Flange Receptacle Delivered W/O Contacts

CONTACT TYPE : Standard Crimp Contact ORIENTATION : C

SHELL SIZE : 15 CONTACT TYPE : PIN(500 Matings)

PLATING : W = Olive drab Cadmium CONTACT LAYOUT : 15-97

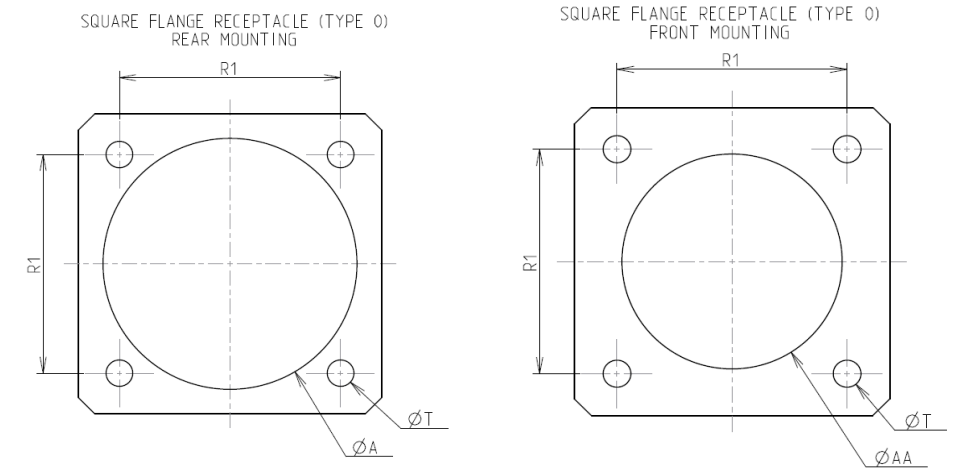
Contacts Layout



Contacts (Insert arrangement 15-97)					
Contact position ID	Location		Contact position ID	Location	
	X-axis (mm)	Y-axis (mm)		X-axis (mm)	Y-axis (mm)
A	+065 (1.65)	+234 (5.94)	G	-207 (5.26)	-095 (2.41)
B	+178 (4.52)	+178 (4.52)	H	-234 (5.94)	+065 (1.65)
C	+230 (5.84)	-023 (0.58)	J	-178 (4.52)	+178 (4.52)
D	+178 (4.52)	-178 (4.52)	K	-065 (1.65)	+234 (5.94)
E	+065 (1.65)	-234 (5.94)	L	-047 (1.19)	+081 (2.06)
F	-089 (2.26)	-235 (5.97)	M	+047 (1.19)	-081 (2.06)

Shell size	Arrangement no.	Number of contacts	Size contacts	Service rating	Contact location	Supersedes
15	-97	4 8	16 20	I	C, G, L, M All others	MS20052-97

Panel Cutout



Dim	Nominal
ØA	26.59 min
ØAA	23.01 min
R1	24.61
ØT	3.25 ±0.13

SOURIAU shall not be liable for any non-conformity or damage due to a use of the Products which does not comply with the Specifications issued by either of the Parties or by a third party (professional recommendation, technical notice.)

Country	Jurisdiction & Control List
FR	Not Listed

PN: 8D015W97PCL

A	17-10-2016	First Release	
ISS	DATE	Latest modification - by	MOD N°
Designed By:		Date:	CUSTOMER DRAWING
TITLE	Aluminium Receptacle 8D series		
SCALE		General linear Tolerances:	NPRDS / PROJECT
NA		±--	859
SOURIAU	WWW.SOURIAU.COM		This document is the property of SOURIAU it must not be reproduced or communicated without permission
FORMAT	SOURIAU DRG N° 8D015W97PCL-C		SHEET 2/2