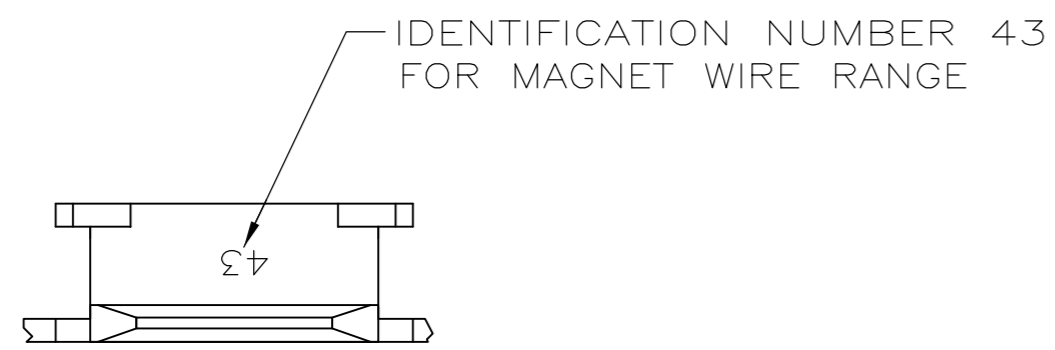
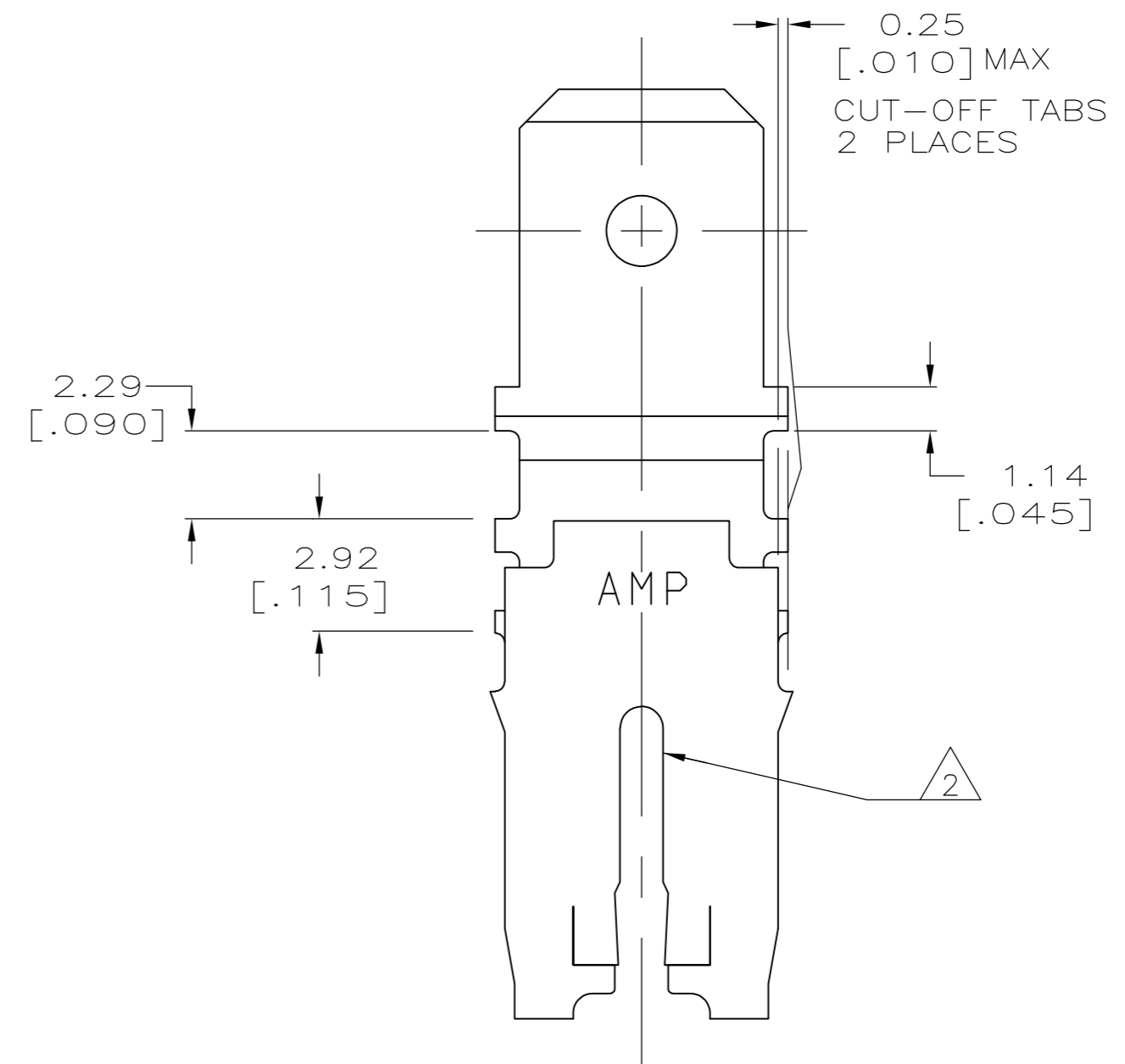
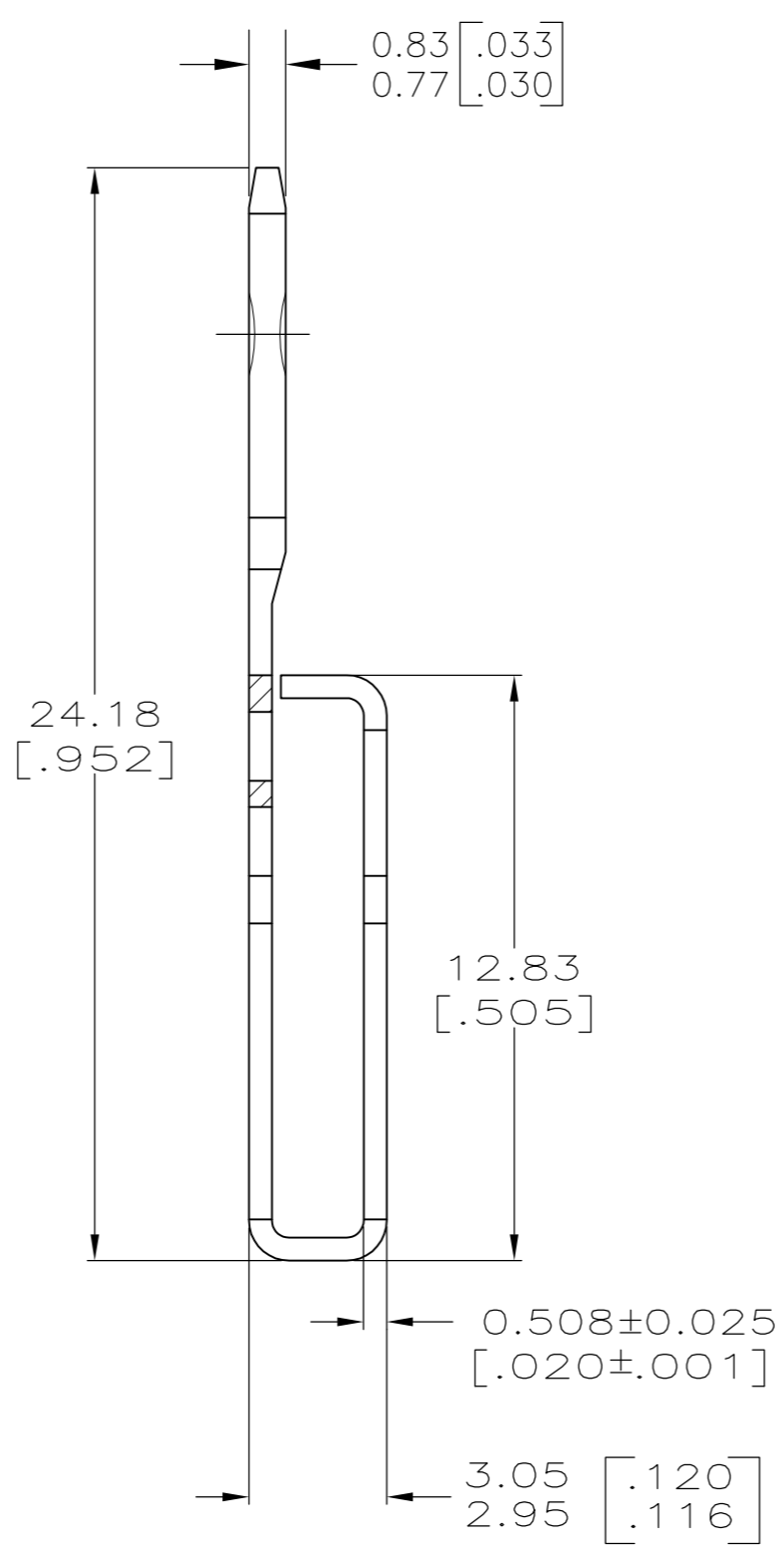
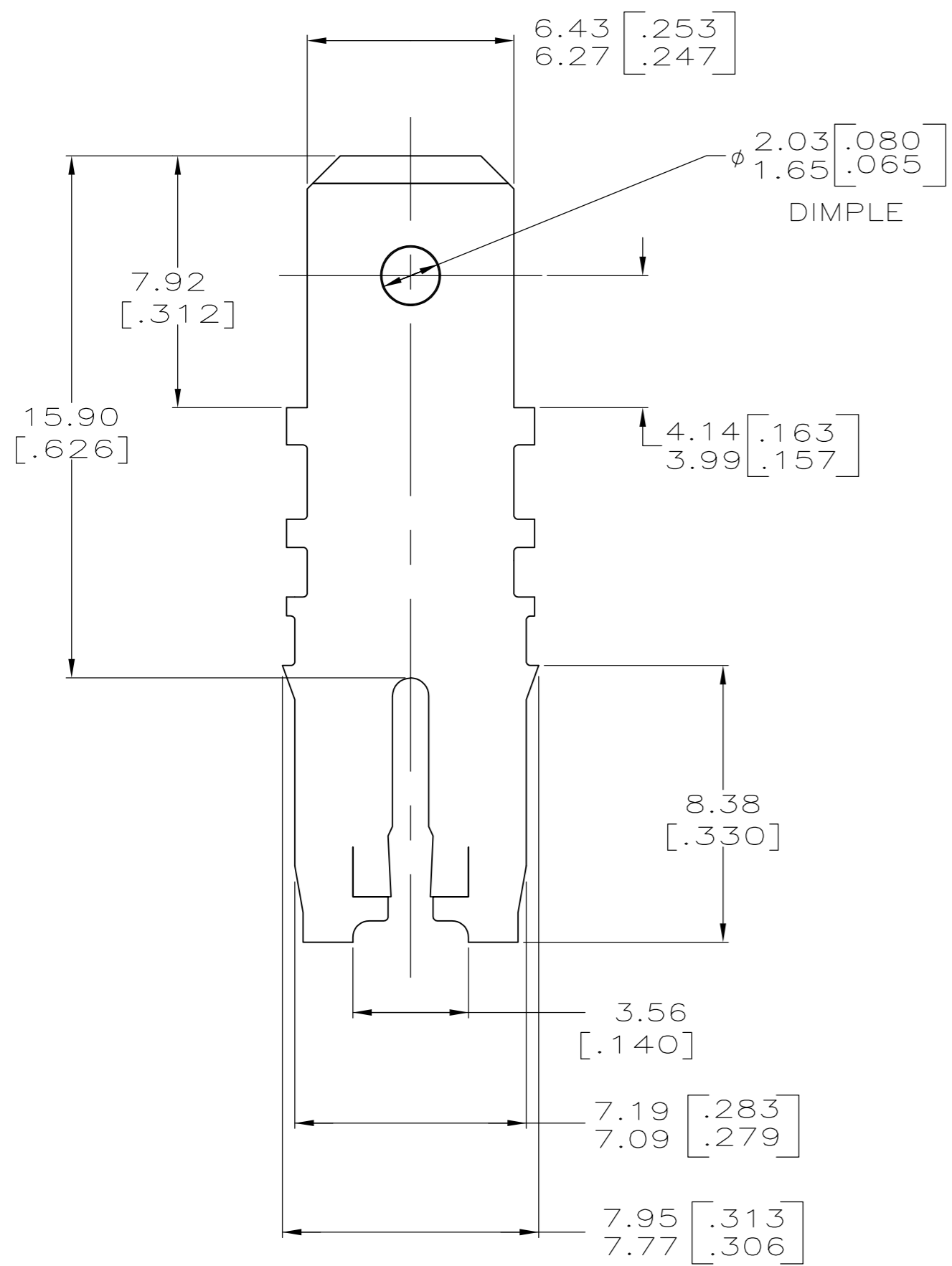


THIS DRAWING IS UNPUBLISHED. RELEASED FOR PUBLICATION  
 © COPYRIGHT - By - ALL RIGHTS RESERVED.

LOC	DIST	REVISIONS			
P	LTR	DESCRIPTION	DATE	DWN	APVD
AF	50	C1	ECR-13-017177	05NOV13	PKS RRP



- 1 VARNISH RESIST OVER 0.002032[.000080] MIN TIN PER MIL-T-10727
- 2 SLOT ACCEPTS 1.61-1.83mm [#14-#13] AWG COPPER MAGNET WIRE. TWO 1.61mm [#14] AWG COPPER MAGNET WIRES ACCEPTABLE AT CAVITY ANVIL HEIGHT OF 3.94-4.19 [.155-.165].
- 3 AFTER INSERTION INTO PLASTIC HOLDER MAG-MATE MUST BE POTTED-IN TO PREVENT PULL-OUT WHEN MATING RECEPTACLE IS DISCONNECTED.



63883-1  
PART NO

THIS DRAWING IS A CONTROLLED DOCUMENT.		DWN R.GRZYBOWSKI 24/OCT/95	<b>STE</b> TE Connectivity		
DIMENSIONS: INCHES		CHK M.S. FEHER 24/OCT/95			
TOLERANCES UNLESS OTHERWISE SPECIFIED:		APVD NELSON E. NEFF 24/OCT/95	NAME TAB, LOOSE PIECE, 6.35 [.250] FASTON, MAG-MATE™		
0 PLC ± -		PRODUCT SPEC 108-2053	SIZE A2	CAGE CODE 00779	DRAWING NO 63883
1 PLC ± -		APPLICATION SPEC 114-2066	WEIGHT -	SCALE 6:1	SHEET 1 of 1
2 PLC ± 0.25 [.010]		MATERIAL BRASS	FINISH 1	RESTRICTED TO -	REV C1
3 PLC ± -		CUSTOMER DRAWING			
4 PLC ± -					
ANGLES ± -					