

注記:
NOTES:

- ① 材料及び仕上げ(めっき仕様): TABLE 1, TABLE2 参照
MATERIAL AND FINISHES (PLATING SPECIFICATION): SEE TABLE 1, TABLE2.
- ② 製品仕様書、コネクタ取扱説明書、適合嵌合相手、適合リテーナーはSHEET 4を
ご参照下さい。
PLEASE REFER TO SHEET 4 FOR PRODUCT SPECIFICATION,
APPLICATION SPECIFICATION, MATE WITH AND APPLICABLE RETAINER.
- ③ 端子テール部及びネイルの平坦度: 0.12 MAXIMUM
TAIL AND NAIL COPLANARITY TO BE 0.12 MAXIMUM
- ④ 極数 / 2 = 偶数に適合
APPLY TO CIRCUIT SIZE / 2 = EVEN.
- ⑤ 発注番号: SHEET 4 参照
ORDER NUMBER: PLEASE REFER TO SHEET 4

505448**7*

極数
CIRCUIT SIZE

| NO. | ハウジングカラー HOUSING COLOR |
|-----|-------------------------------|
| 0 | ナチュラル(ベージュ) NATURAL(BEIGE) |
| 1 | 黒 BLACK |
| 2 | 赤 RED |
| 4 | 青 BLUE |
| 6 | 緑 GREEN |

| | | | | |
|-------|-------|-------|-------|--------------------|
| 29.4 | 26.25 | 25 | 30.85 | 42 |
| 28.15 | 25 | 23.75 | 29.6 | 40 |
| 26.9 | 23.75 | 22.5 | 28.35 | 38 |
| 25.65 | 22.5 | 21.25 | 27.1 | 36 |
| 24.4 | 21.25 | 20 | 25.85 | 34 |
| 23.15 | 20 | 18.75 | 24.6 | 32 |
| 21.9 | 18.75 | 17.5 | 23.35 | 30 |
| 20.65 | 17.5 | 16.25 | 22.1 | 28 |
| 19.4 | 16.25 | 15 | 20.85 | 26 |
| 18.15 | 15 | 13.75 | 19.6 | 24 |
| 16.9 | 13.75 | 12.5 | 18.35 | 22 |
| 15.65 | 12.5 | 11.25 | 17.1 | 20 |
| 14.4 | 11.25 | 10 | 15.85 | 18 |
| 13.15 | 10 | 8.75 | 14.6 | 16 |
| 11.9 | 8.75 | 7.5 | 13.35 | 14 |
| 10.65 | 7.5 | 6.25 | 12.1 | 12 |
| 9.4 | 6.25 | 5 | 10.85 | 10 |
| 8.15 | 5 | 3.75 | 9.6 | 8 |
| D | C | B | A | 極数 CIRCUIT SIZE |

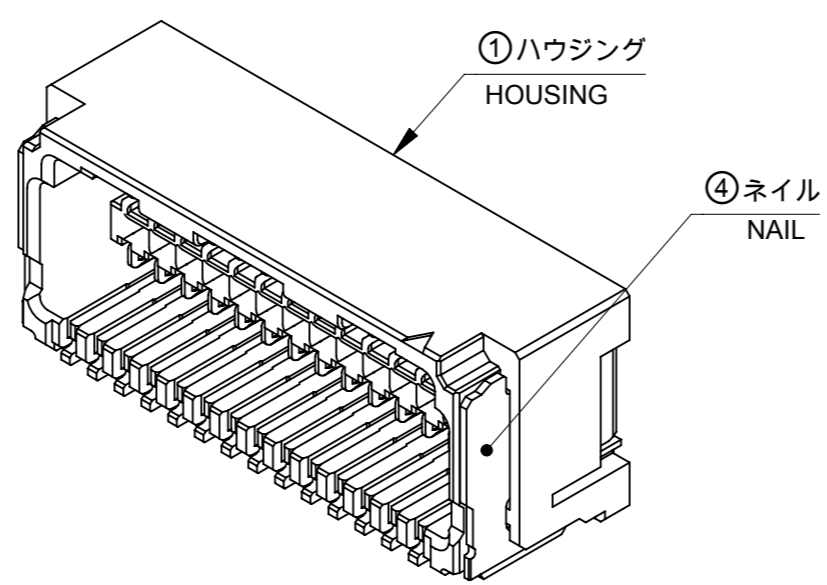
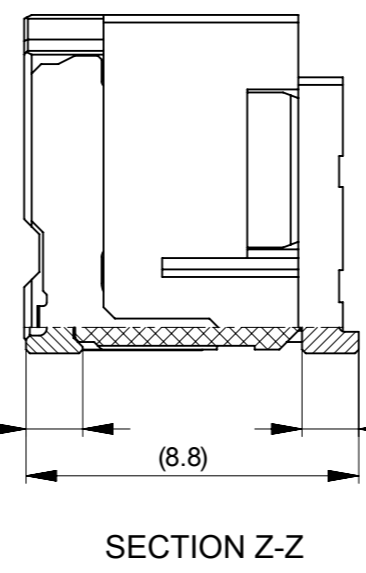
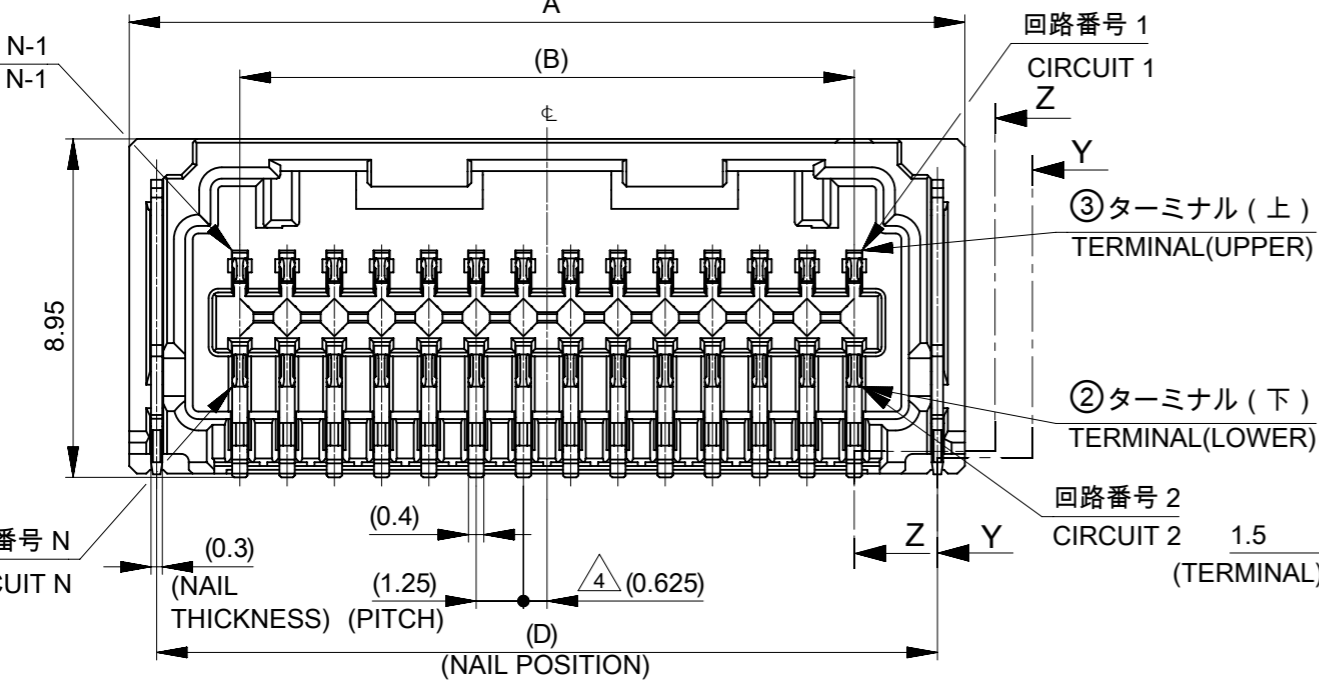
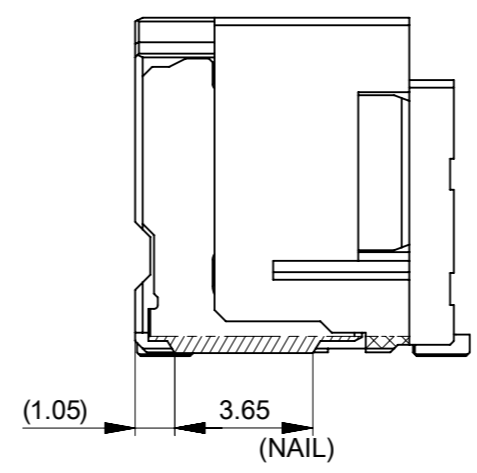
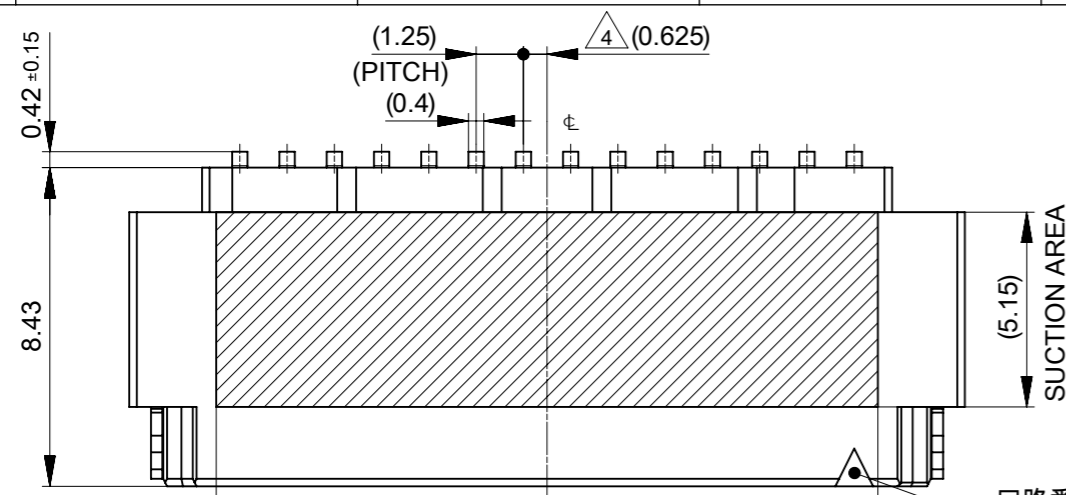
| DIMENSION UNITS | | SCALE | CURRENT REV DESC: | | |
|--|-------|-------------------|-------------------|----------|--------------|
| mm | | NTS | | | |
| GENERAL TOLERANCES (UNLESS SPECIFIED) | | | | | |
| ANGULAR TOL | | ± 3.0° | | | |
| 4 PLACES | ± 0.2 | EC NO: 736271 | | | |
| 3 PLACES | ± 0.2 | DRWN: SOKUMURA01 | 2023/02/01 | | |
| 2 PLACES | ± 0.2 | CHK'D: SAKIYAMA | 2023/02/16 | | |
| 1 PLACE | ± 0.2 | APPR: AIDA | 2023/02/16 | | |
| 0 PLACES | ± 0.2 | INITIAL REVISION: | | | |
| DRAFT WHERE APPLICABLE MUST REMAIN WITHIN DIMENSIONS | | DRWN: TAKAIKE | 2017/01/18 | | |
| THIRD ANGLE PROJECTION | | APPR: TKANEKO | 2017/04/03 | | |
| DRAWING | | SERIES | MATERIAL NUMBER | CUSTOMER | SHEET NUMBER |
| A3-SIZE | | 505448 | SEE SHEET 4 | GENERAL | 1 OF 4 |

molex

MICRO-LOCK PLUS 1.25 W/B
DUAL ROW RIGHT ANGLE SMT PLUG ASSEMBLY
TIN-BISMUTH PLATING

PRODUCT CUSTOMER DRAWING

DOCUMENT NUMBER: 5054480000
DOC TYPE: PSD
DOC PART: 000
REVISION: D

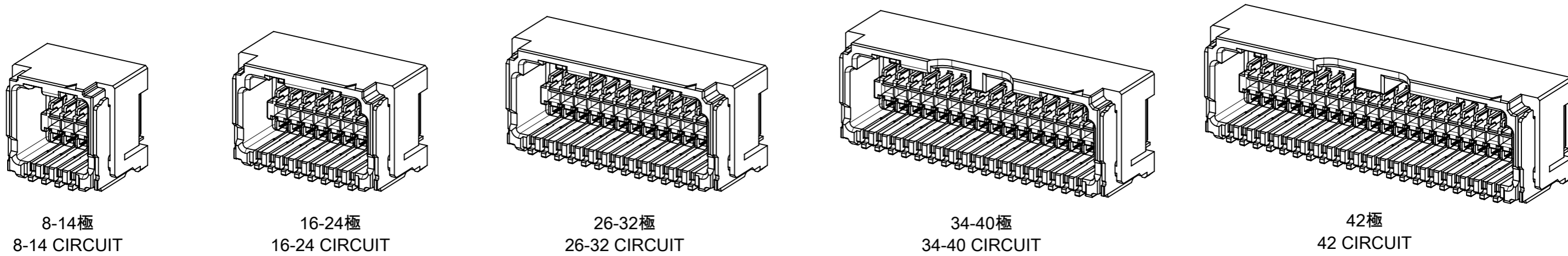


① TABLE 1

| 番号 NO. | 部品 PART | 材質 MATERIAL |
|--------|--|--|
| ① | ハウジング HOUSING | ポリアミド(PA), UL94V-0, 色: SHEET 4参照 POLYAMIDE(PA), UL94V-0, COLOR: SEE SHEET 4 |
| ② | ターミナル 及び ③ ネイル TERMINAL AND NAIL | 黄銅 BRASS 錫ビスマスめっき: 1.0 MICROMETER MINIMUM TIN-BISMUTH PLATING ニッケルめっき(下地めっき): 1.0 MICROMETER MINIMUM NICKEL PLATING (UNDER PLATING) |

| | | | | |
|-----------------|----|--------------|------------|----------|
| DOCUMENT STATUS | P1 | RELEASE DATE | 2023/02/16 | 15:22:26 |
|-----------------|----|--------------|------------|----------|

製品形状
PRODUCT SHAPE



8-14極
8-14 CIRCUIT

16-24極
16-24 CIRCUIT

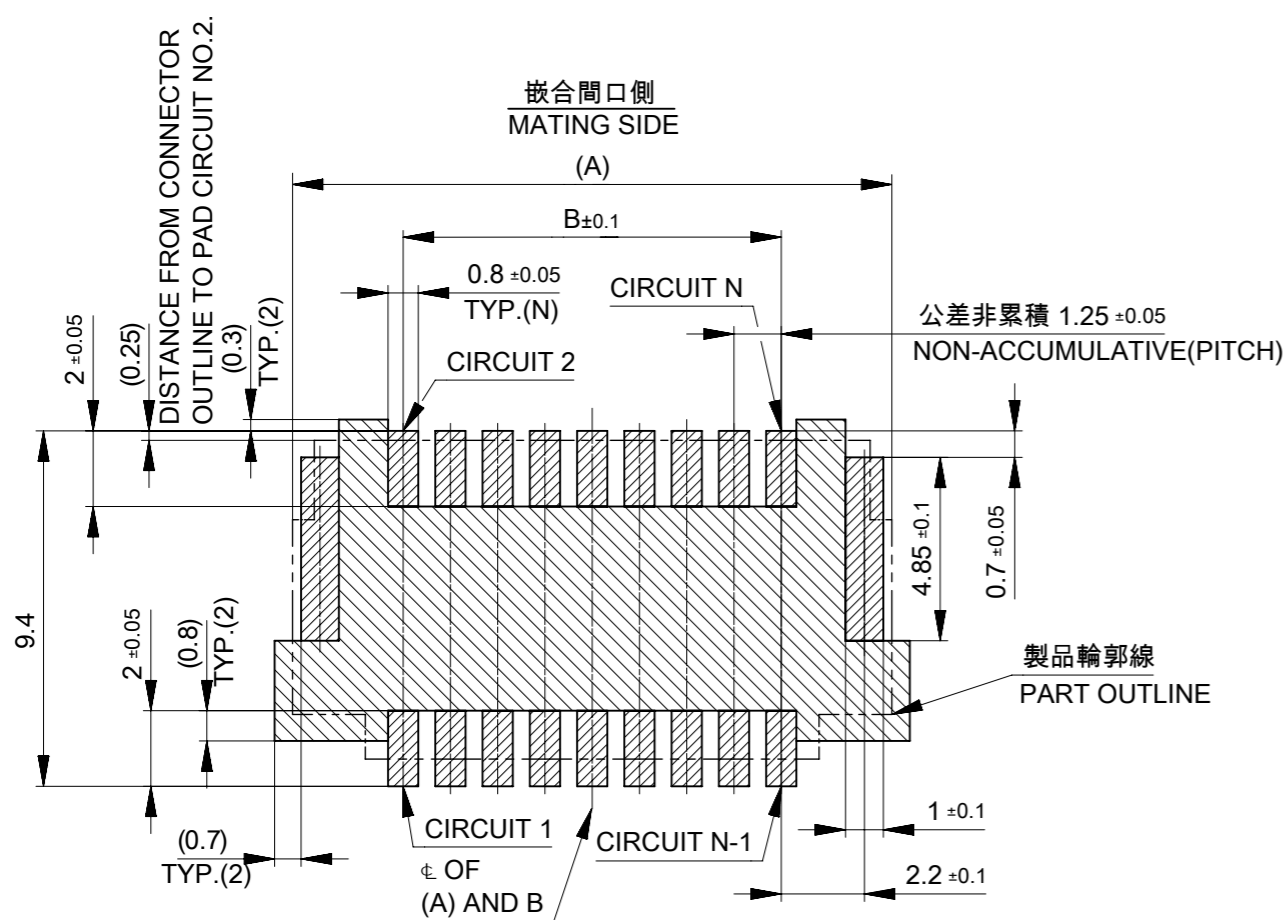
26-32極
26-32 CIRCUIT

34-40極
34-40 CIRCUIT

42極
42 CIRCUIT

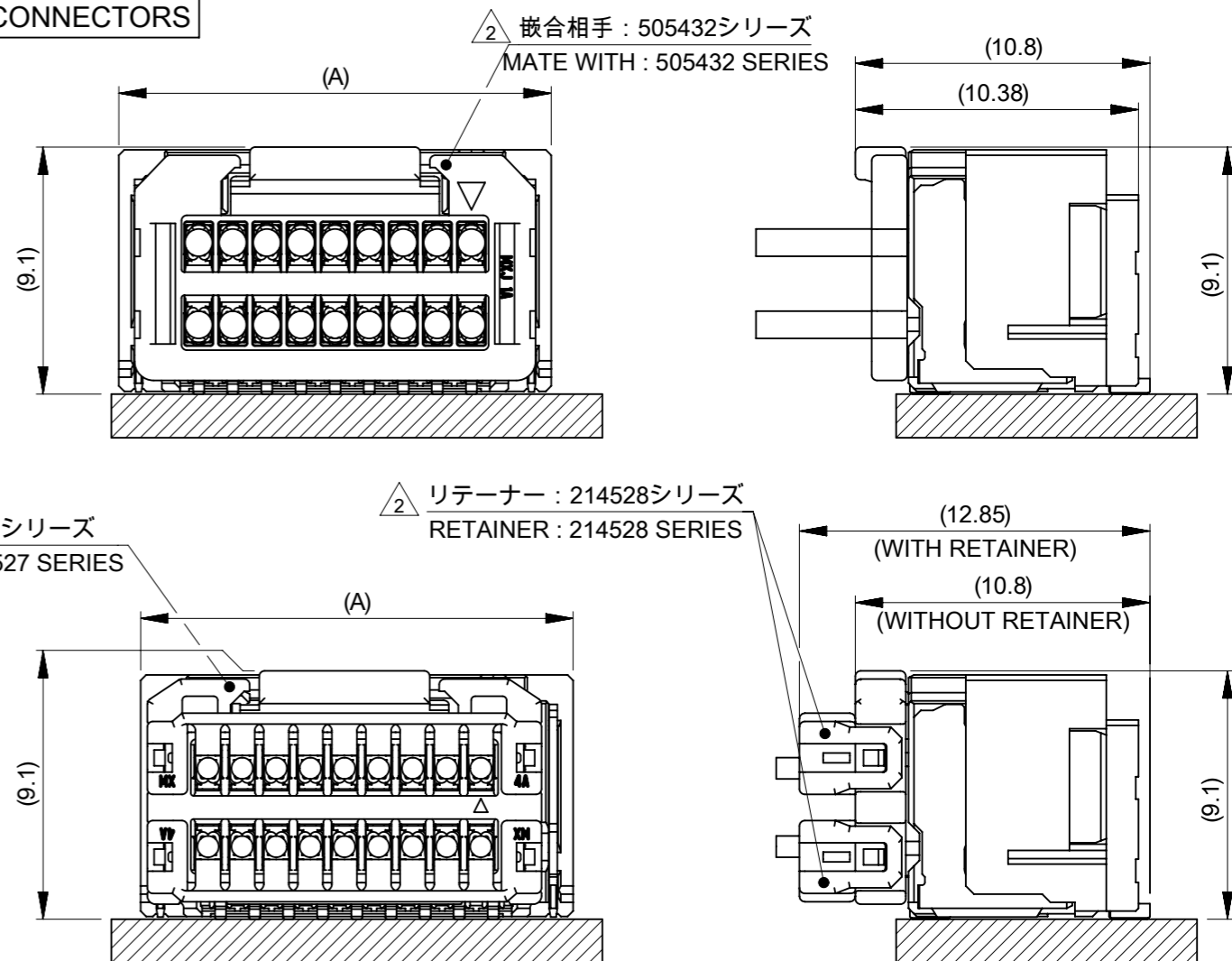
基板パターンレイアウト
PCB PATTERN LAYOUT

嵌合状態図
MATED CONNECTORS

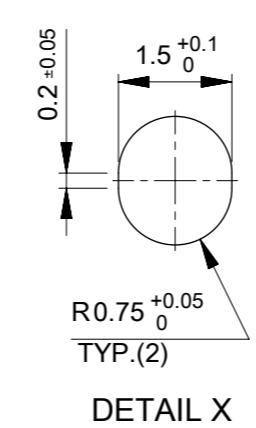
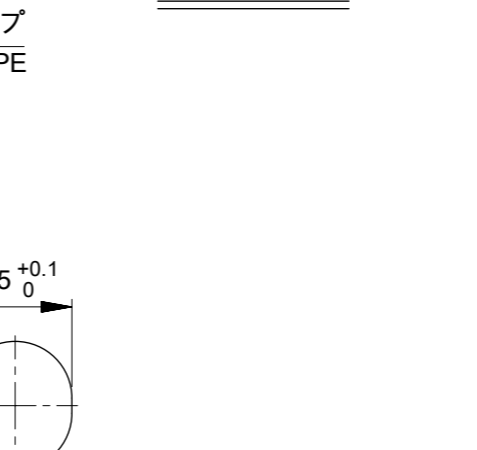
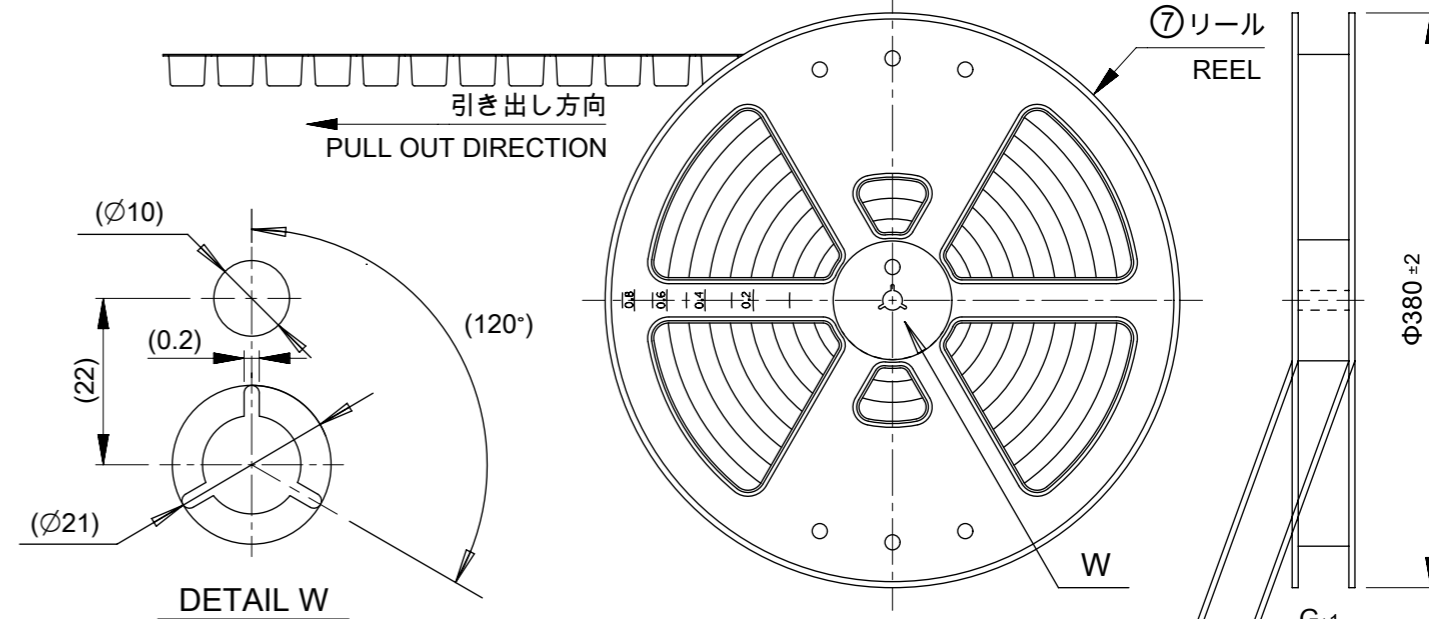
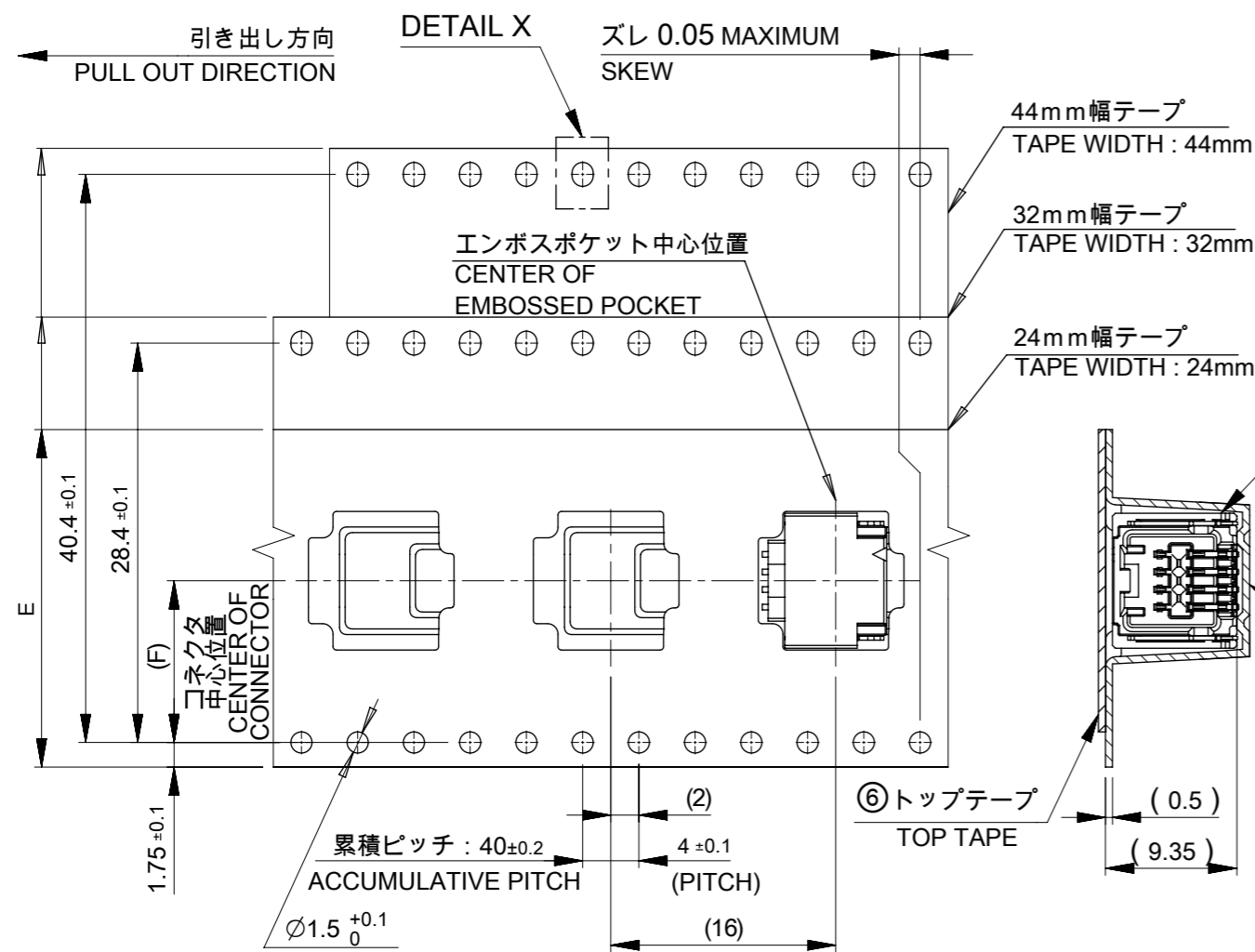


基板パターンレイアウト (参考)
(参考: 基板厚 1.6mm, メタルマスク厚さ 0.15mm, マスク開口率 100%)
RECOMMEND PCB LAYOUT : COMPONENT SIDE
(REFERENCE : PCB THICKNESS 1.6mm, STENCIL THICKNESS 0.15mm, APERTURE RATIO 100%)

パターン非推奨エリア
パターンを引き回す際は、製品機能に影響がないことをご確認ください。
PATTERN IS NOT RECOMMENDED ON THE HATCHING AREA
PLEASE CHECK NOT TO HAVE PROBLEM FOR PRODUCT FUNCTION
WHEN SETTING PATTERN ON THE HATCHING AREA.

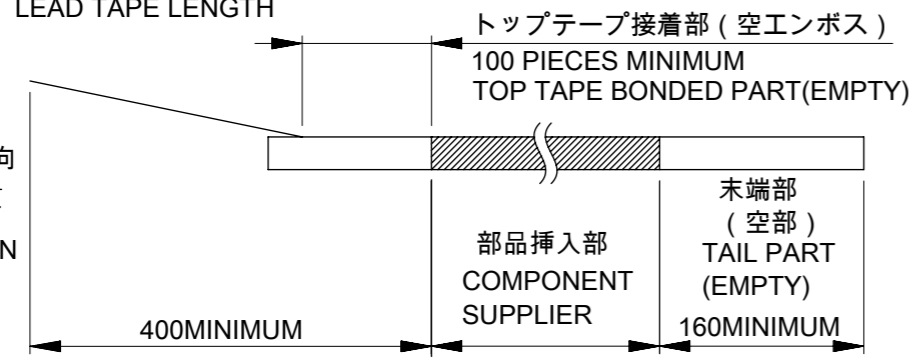


| | | | | | |
|---|---------|-------------------|------------|---|----------|
| THIS DRAWING CONTAINS INFORMATION THAT IS PROPRIETARY TO MOLEX ELECTRONIC TECHNOLOGIES, LLC AND SHOULD NOT BE USED WITHOUT WRITTEN PERMISSION | | CURRENT REV DESC: | | molex | |
| DIMENSION UNITS | SCALE | | | | |
| mm | NTS | | | MICRO-LOCK PLUS 1.25 W/B DUAL ROW RIGHT ANGLE SMT PLUG ASSEMBLY TIN-BISMUTH PLATING | |
| GENERAL TOLERANCES (UNLESS SPECIFIED) | | | | PRODUCT CUSTOMER DRAWING | |
| ANGULAR TOL | ± 3.0 ° | | | DOCUMENT NUMBER | |
| 4 PLACES | ± 0.2 | EC NO: 736271 | 2023/02/01 | 5054480000 | |
| 3 PLACES | ± 0.2 | DRWN: SOKUMURA01 | 2023/02/16 | DOC TYPE | DOC PART |
| 2 PLACES | ± 0.2 | CHK'D: SAKIYAMA | 2023/02/16 | PSD | 000 |
| 1 PLACE | ± 0.2 | APPR: AIDA | 2023/02/16 | REVISION | |
| 0 PLACES | ± 0.2 | INITIAL REVISION: | | D | |
| DRAFT WHERE APPLICABLE MUST REMAIN WITHIN DIMENSIONS | | DRWN: TAKAIKE | 2017/01/18 | SHEET NUMBER | |
| THIRD ANGLE PROJECTION | | APPR: TKANEKO | 2017/04/03 | SEE SHEET 4 | GENERAL |
| DRAWING | | SERIES | | 2 OF 4 | |
| A3-SIZE | | 505448 | | | |



注記 NOTES

- 6. 梱包数量 : 500個
NUMBER OF CONNECTORS : 500 PIECES/REEL.
- 7. 梱包仕様書 : 5054489200 PS 200
PACKING SPECIFICATION : 5054489200 PS 200
- 8. リードテープ長さ
LEAD TAPE LENGTH



9. トップテープの剥離強度については、IEC60286-3に準拠
TOP TAPE PEEL FORCE IS DEFINED BY IEC60286-3.

TABLE 2

| 番号 NO. | 部品 PART | 材質 MATERIAL |
|-----------|---------------------------|---|
| ⑤ | エンボステープ EMBOSSSED TAPE | ポリスチレン(PS) POLYSTYRENE(PS) |
| ⑥ | トップテープ TOP TAPE | ポリエチレン(PE)、その他 POLYETHYLENE(PE), OTHER |
| ⑦ | リール REEL | ポリスチレン(PS) <リサイクル材を含む> POLYSTYRENE(PS) < RECYCLE MATERIRAL CONTAINED > |

| | | | | |
|-----------------|----|--------------|------------|----------|
| DOCUMENT STATUS | P1 | RELEASE DATE | 2023/02/16 | 15:22:26 |
|-----------------|----|--------------|------------|----------|

| | | | | |
|------|------|------|------------------------------------|--------------------|
| | | | | 42 |
| | | | | 40 |
| | | | | 38 |
| | | | | 36 |
| 49.4 | 45.4 | 20.2 | 44±0.3 | 34 |
| | | | | 32 |
| | | | | 30 |
| | | | | 28 |
| | | | | 26 |
| | | | | 24 |
| 37.4 | 33.4 | 14.2 | 32±0.3 | 22 |
| | | | | 20 |
| | | | | 18 |
| | | | | 16 |
| 29.4 | 25.4 | 11.5 | 24 ^{+0.3} _{-0.1} | 14 |
| | | | | 12 |
| | | | | 10 |
| | | | | 8 |
| H | G | F | E | 極数 CIRCUIT SIZE |


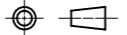
| | | | | | |
|---|---------|------------------------|------------|---|-----------------|
| THIS DRAWING CONTAINS INFORMATION THAT IS PROPRIETARY TO MOLEX ELECTRONIC TECHNOLOGIES, LLC AND SHOULD NOT BE USED WITHOUT WRITTEN PERMISSION | | CURRENT REV DESC: | | molex | |
| DIMENSION UNITS | SCALE | | | | |
| mm | NTS | | | MICRO-LOCK PLUS 1.25 W/B DUAL ROW RIGHT ANGLE SMT PLUG ASSEMBLY TIN-BISMUTH PLATING | |
| GENERAL TOLERANCES (UNLESS SPECIFIED) | | | | PRODUCT CUSTOMER DRAWING | |
| ANGULAR TOL | ± 3.0 ° | | | DOCUMENT NUMBER | |
| 4 PLACES | ± 0.2 | EC NO: 736271 | 2023/02/01 | 5054480000 | |
| 3 PLACES | ± 0.2 | DRWN: SOKUMURA01 | 2023/02/16 | DOC TYPE | DOC PART |
| 2 PLACES | ± 0.2 | CHK'D: SAKIYAMA | 2023/02/16 | PSD | 000 |
| 1 PLACE | ± 0.2 | APPR: AIDA | 2023/02/16 | REVISION | D |
| 0 PLACES | ± 0.2 | INITIAL REVISION: | | SHEET NUMBER | |
| | | DRWN: TAKAIKE | 2017/01/18 | 3 OF 4 | |
| | | APPR: TKANEKO | 2017/04/03 | | |
| DRAFT WHERE APPLICABLE MUST REMAIN WITHIN DIMENSIONS | | THIRD ANGLE PROJECTION | DRAWING | SERIES | MATERIAL NUMBER |
| | | | A3-SIZE | 505448 | CUSTOMER |
| | | | | SEE SHEET 4 | GENERAL |

△ 2 適合製品及び各種仕様書 APPLICABLE PRODUCTS AND VARIOUS SPECIFICATIONS

| | | | |
|--|-------------------------------|----------------------|--|
| 梱包仕様書 PACKAGING SPECIFICATION | | 5054489200 PS 200 | |
| 適合嵌合相手 MATE WITH | シリーズ番号 SERIES NUMBER | 505432 | 214527 |
| | リテーナー対応 RETAINER COMPLIANT | NOT COMPLIANT | COMPLIANT (NATURAL, BLACK, RED, BLUE) |
| 適合リテーナーシリーズ番号 APPLICABLE RETAINER SERIES NUMBER | | - | 214528 |
| 製品仕様書 PRODUCT SPECIFICATION | | 5054320000 PS 002 | 2145270000-PS PS 000 |
| コネクタ取扱説明書 APPLICATION SPECIFICATION | | 5054320000-AS PS 000 | |

△ 5 505448**7* 製品番号一覧 PRODUCT NUMBER LIST

| GREEN | BLUE | RED | BLACK | NATURAL (BEIGE) | HOUSING COLOR |
|--|------------|------------|------------|--------------------|--------------------|
| 5054484276 | 5054484274 | 5054484272 | 5054484271 | 5054484270 | 42 |
| 5054484076 | 5054484074 | 5054484072 | 5054484071 | 5054484070 | 40 |
| 5054483876 | 5054483874 | 5054483872 | 5054483871 | 5054483870 | 38 |
| 5054483676 | 5054483674 | 5054483672 | 5054483671 | 5054483670 | 36 |
| 5054483476 | 5054483474 | 5054483472 | 5054483471 | 5054483470 | 34 |
| 5054483276 | 5054483274 | 5054483272 | 5054483271 | 5054483270 | 32 |
| 5054483076 | 5054483074 | 5054483072 | 5054483071 | 5054483070 | 30 |
| 5054482876 | 5054482874 | 5054482872 | 5054482871 | 5054482870 | 28 |
| 5054482676 | 5054482674 | 5054482672 | 5054482671 | 5054482670 | 26 |
| 5054482476 | 5054482474 | 5054482472 | 5054482471 | 5054482470 | 24 |
| 5054482276 | 5054482274 | 5054482272 | 5054482271 | 5054482270 | 22 |
| 5054482076 | 5054482074 | 5054482072 | 5054482071 | 5054482070 | 20 |
| 5054481876 | 5054481874 | 5054481872 | 5054481871 | 5054481870 | 18 |
| 5054481676 | 5054481674 | 5054481672 | 5054481671 | 5054481670 | 16 |
| 5054481476 | 5054481474 | 5054481472 | 5054481471 | 5054481470 | 14 |
| 5054481276 | 5054481274 | 5054481272 | 5054481271 | 5054481270 | 12 |
| 5054481076 | 5054481074 | 5054481072 | 5054481071 | 5054481070 | 10 |
| 5054480876 | 5054480874 | 5054480872 | 5054480871 | 5054480870 | 8 |
| 発注番号 ORDER NO. | | | | | 極数 CIRCUIT SIZE |
| 梱包形態 : インボステーブ梱包 PACKAGING STYLE : EMBOSSED TAPE AND REEL | | | | | |

| | | | | | | | | | |
|---|--|---|--|--|--|-----------------|--|----------------------------|--|
| THIS DRAWING CONTAINS INFORMATION THAT IS PROPRIETARY TO MOLEX ELECTRONIC TECHNOLOGIES, LLC AND SHOULD NOT BE USED WITHOUT WRITTEN PERMISSION | | | | | | | | | |
| DIMENSION UNITS | | SCALE | | CURRENT REV DESC: | | | | | |
| mm | | NTS | |  MICRO-LOCK PLUS 1.25 W/B DUAL ROW RIGHT ANGLE SMT PLUG ASSEMBLY TIN-BISMUTH PLATING PRODUCT CUSTOMER DRAWING | | | | | |
| GENERAL TOLERANCES (UNLESS SPECIFIED) | | | | | | | | | |
| ANGULAR TOL ± 3.0 ° | | | | EC NO: 736271 | | | | | |
| 4 PLACES ± 0.2 | | DRWN: SOKUMURA01 | | 2023/02/01 | | DOCUMENT NUMBER | | | |
| 3 PLACES ± 0.2 | | CHK'D: SAKIYAMA | | 2023/02/16 | | 5054480000 | | DOC TYPE DOC PART REVISION | |
| 2 PLACES ± 0.2 | | APPR: AIDA | | 2023/02/16 | | PSD | | 000 D | |
| 1 PLACE ± 0.2 | | INITIAL REVISION: | | | | 2017/01/18 | | SHEET NUMBER | |
| 0 PLACES ± 0.2 | | DRWN: TAKAIKE | | 2017/04/03 | | SEE CHART | | GENERAL | |
| DRAFT WHERE APPLICABLE MUST REMAIN WITHIN DIMENSIONS | | THIRD ANGLE PROJECTION | | DRAWING | | SERIES | | CUSTOMER | |
| | |  | | A3-SIZE | | 505448 | | 4 OF 4 | |