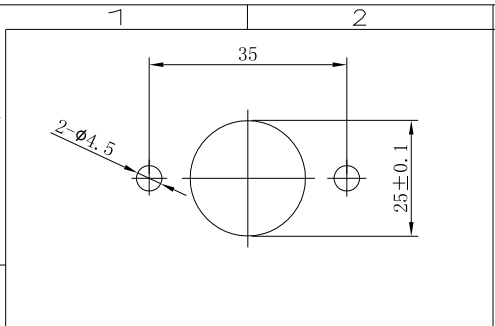
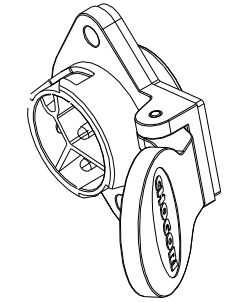
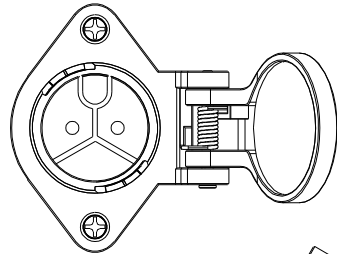


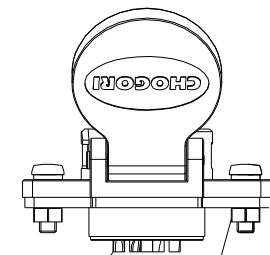
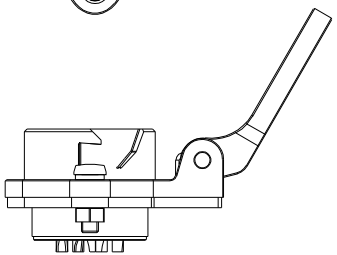
REV.	ECN NO.	DESCRIPTION	SIGN	DATE
C1	N/A	INITIAL DRAWING	Liu	2020/05/20



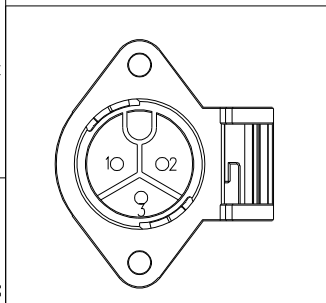
RECOMMENDED PANEL Cut-Out



22XXX536-0X  
Pin Number



Connector Male Pin



3 Pin  
P/N: 24003536-04  
Pin Assignments Front View

- Specification:
- 1.Operation Temperature: -45°C~105°C.
  - 2.Insulation Resistance:100MΩ at DC500V.
  - 3.Contact Resistance:<10mΩ.
  - 4.Withstand Voltage: 2000V AC
  - 5.Operating Current:50A
  - 6.Operating Voltage: AC 300V
  - 7.Waterproof Rate:IP67 (Mated)
  - 8.Housing:Nylon, Black
  - 9.Male Pin:Copper Alloy, Gold Plated
  - 10.Gasket: Silicon Gray
  - 11.Torque Rate:0.8~1.0N·m
  - 12.RoHS Compliant.
  - 13.Mating Cap P/N: 806-00058-00

THIS INFORMATION IS CONFIDENTIAL AND IS DISCLOSED TO YOU ON CONDITION THAT NO FURTHER DISCLOSURE IS MADE BY YOU TO OTHER THAN CHOGORI PERSONNEL WITHOUT AUTHORIZATION FROM CHOGORI CORP.

UNIT:mm	DESCRIPTION	Large Series Push Lock Female socket With Male Pin		PART NO	24003536-04	DRAWN BY	Liu	DATE	2020/05/20
TOLERANCE	SCALE	1:1	SHEET	DWG NO		CHECKED BY	Mo	DATE	2020/05/20
.X ±0.25	REV.	C1	SIZE	CUSTOMER		APPROVED BY	Adley	DATE	2020/05/20
.XX ±0.15			A4						
.XXX ±0.05									
ANGLES ±1°									

