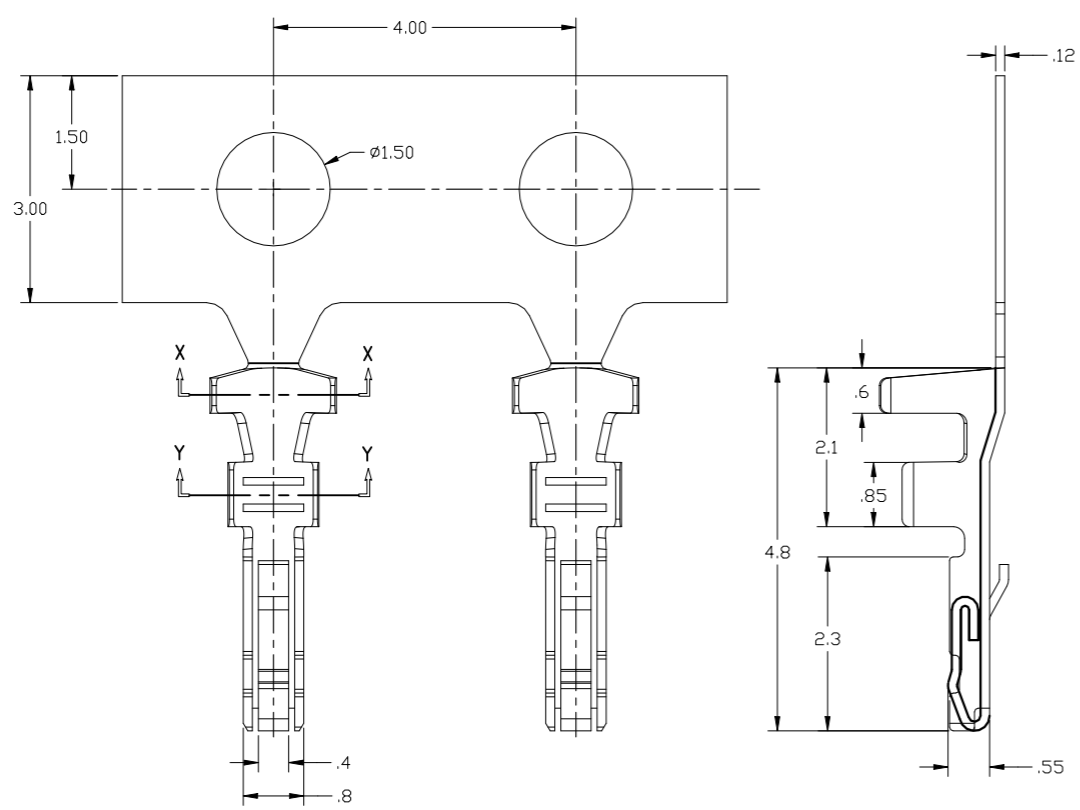
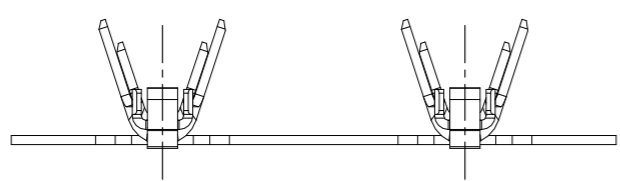
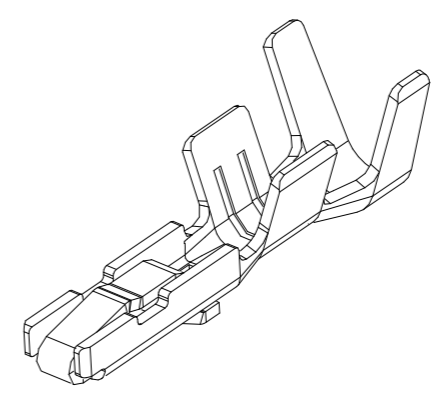


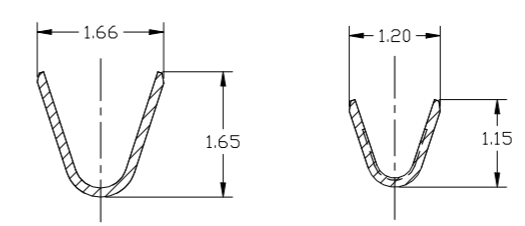
REVISIONS					
P	LTR	DESCRIPTION	DATE	DWN	APVD
	A	ECR-21-104664	12APR2021	T.Q	W.H



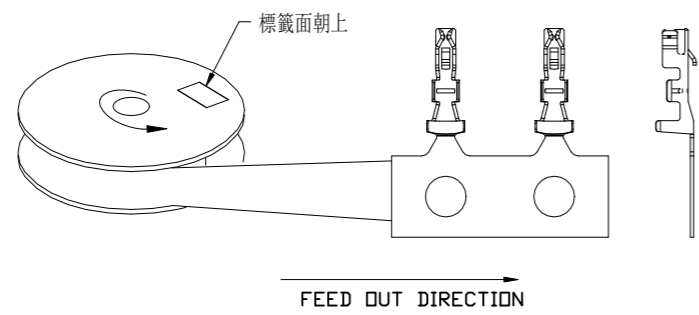
- NOTES:**
- 1. MATERIAL:** COPPER ALLOY, THICKNESS  $0.12 \pm 0.01$ .
  - 2. PLATING:**  
 TYPE A: PURE TIN, 40u" MIN  
 TYPE B: 0.5u" MIN GOLD FLASH ON CONTACT AREA  
 50u" MIN. NICKEL UNDERPLATING OVERALL.
  - 3. WIRE RANGE:** SUITABLE FOR AWG#30~#26.
  - 4. INSULATION O.D:** 0.80~1.0mm(MAX).
  - 5. HOUSING P/N:** X-2390144-X



2390147-2	2390147-1
GOLD FLASH	PRE-TIN
PLATING SPEC	
PART NUMBER	



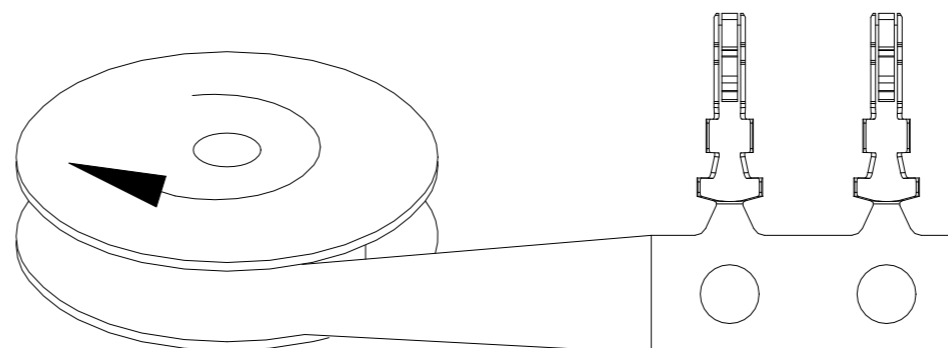
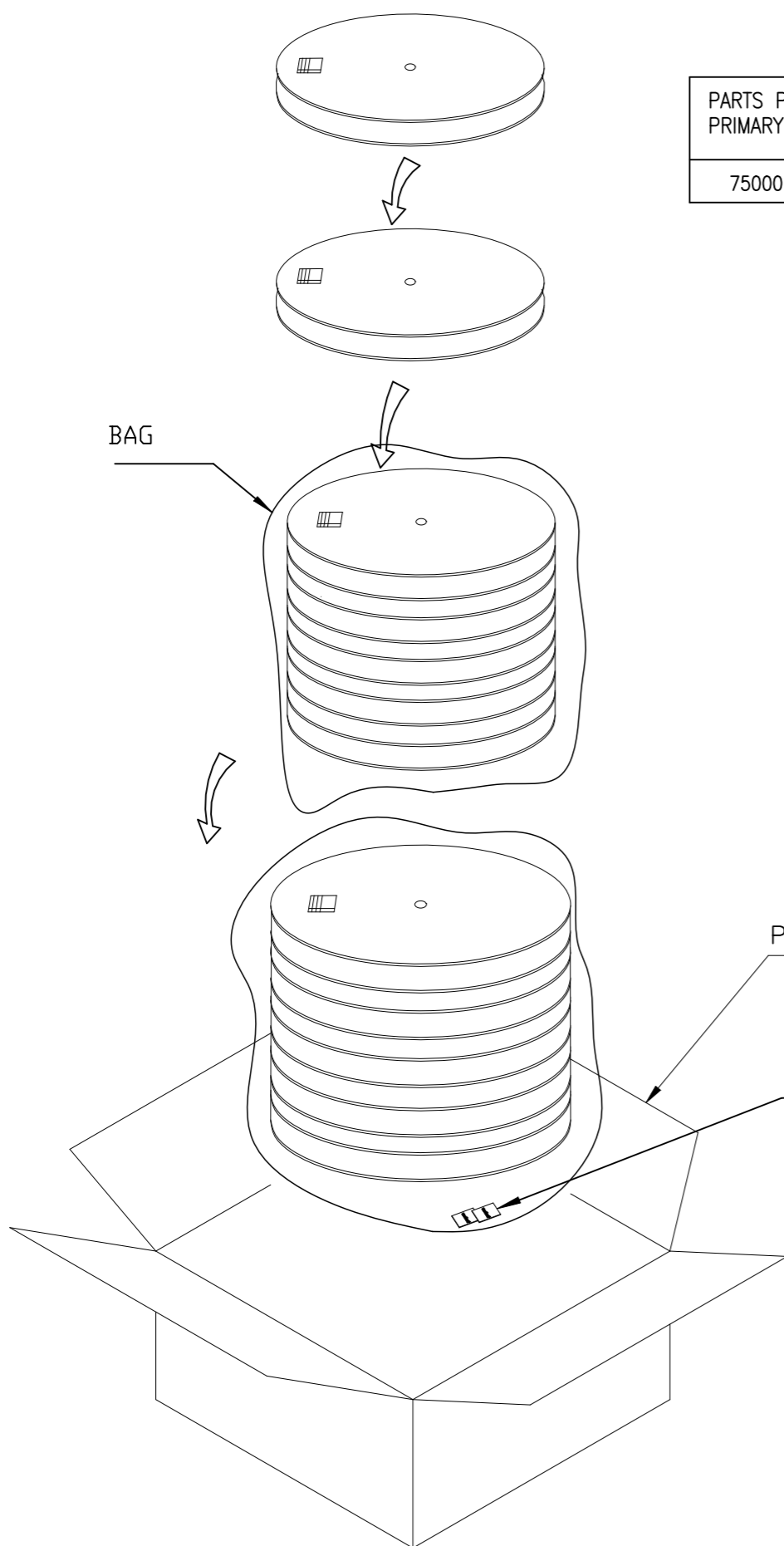
SECTION X-X      SECTION Y-Y



THIS DRAWING IS A CONTROLLED DOCUMENT.		DWN Tommy Qian 12APR2021	TE Connectivity					
DIMENSIONS: mm		CHK Niki Shi 12APR2021				NAME 1.25mm PITCH WTB Conn. CABLE CONTACT		
TOLERANCES UNLESS OTHERWISE SPECIFIED:		APVD Niki Shi 12APR2021	PRODUCT SPEC APPLICATION SPEC					
0 PLC ± 0.5 1 PLC ± 0.25 2 PLC ± 0.15 3 PLC ± 0.1 4 PLC ± - ANGLES ± 2°		WEIGHT N/A				SIZE A3	CAGE CODE 00779	DRAWING NO C-2390147
MATERIAL NOTE 1		FINISH NOTE 2	CUSTOMER DRAWING			SCALE N/A	SHEET 1 OF 2	REV A

REVISIONS					
P	LTR	DESCRIPTION	DATE	DWN	APVD
	-	SEE SHEET 1	-	-	-

PARTS PER PRIMARY CARTON	PARTS PER REEL	TOTAL REELS PER PRIMARY CARTON
75000(PCS)	15000(PCS)	5



AFTER PLATING

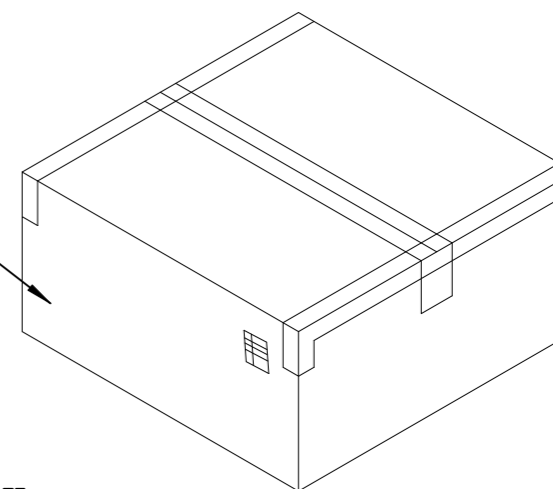
PRIMARY CARTON

PRIMARY CARTON

2 DESICCATING AGENT

NOTE:

1. STAPLES SHOULD ONLY BE USED TO SET UP CARTON ALL CARTONS CLOSURES MUST BE DONE WITH TAPE.
2. FILL PACKAGING REEL WITH THE QUANTITIES AS INDICATED IN THE CHART.



THIS DRAWING IS A CONTROLLED DOCUMENT.

DIMENSIONS:	TOLERANCES UNLESS OTHERWISE SPECIFIED:
mm	
	0 PLC ± 0.5
	1 PLC ± 0.25
	2 PLC ± 0.15
	3 PLC ± 0.1
	4 PLC ± -
	ANGLES ± 2°

MATERIAL NOTE 1

FINISH NOTE 2

DWN	Tommy Qian	12APR2021
CHK	Niki Shi	12APR2021
APVD	Niki Shi	12APR2021
PRODUCT SPEC	-	
APPLICATION SPEC	-	
WEIGHT	-	

**STE** TE Connectivity

1.25mm PITCH WTb Conn. CABLE CONTACT

SIZE	CAGE CODE	DRAWING NO	RESTRICTED TO
A3	00779	C-2390147	-

CUSTOMER DRAWING SCALE N/A SHEET 2 OF 2 REV A