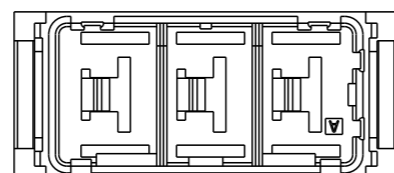
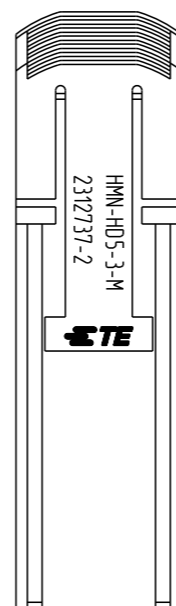
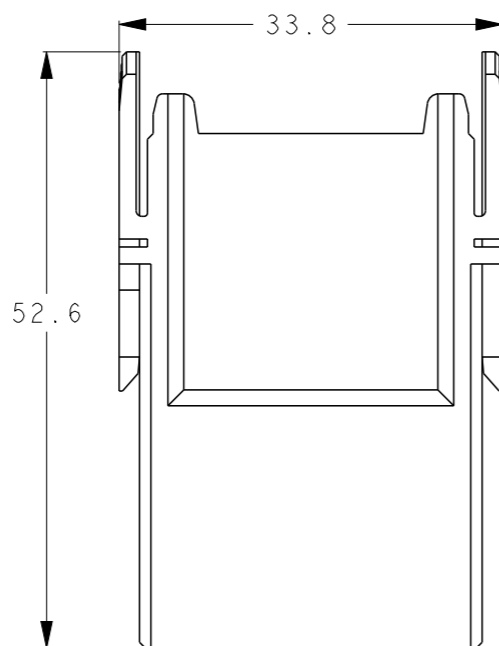
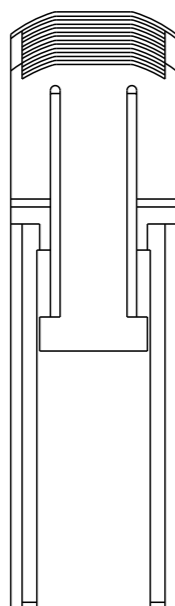
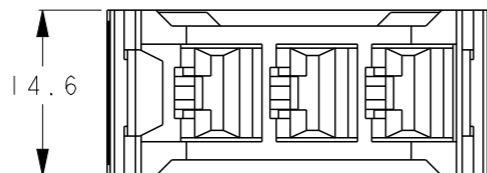
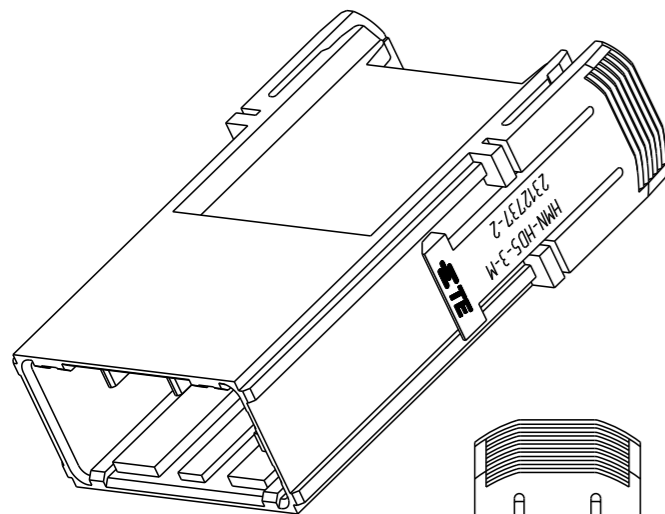


REVISIONS

P	LTR	DESCRIPTION	DATE	DWN	APVD
	A	RELEASED	13DEC2017	RI	EI
	B	REVISED PER ECR-18-016797	25OCT2018	RI	EI



1. TECHNICAL CHARACTERISTICS :
 INSULATION MATERIAL : PBT
 RATED VOLTAGE : 300V
 RATED CURRENT : 40A
 INSULATION RESISTANCE : $\geq 1000M\Omega$
 RATED IMPULSE VOLTAGE : 4KV
 POLLUTION DEGREE : 3
 FLAMMABILITY : UL94V-0
 MATING CYCLES : 100 CYCLES
 OPERATION TEMPERATURE : $-40^{\circ}C \sim +125^{\circ}C$
 WIRE RANGE : 1.23SQmm~8.92SQmm
 CONTACT TYPE : CRIMP CONTACT
2. CONTACT NEED TO BE ORDERED SEPARATELY.
 (ORDER No. REFER TO DRAWING : SEE TABLE 1)
3. FRAMES NEED TO BE ORDERED SEPARATELY.
 (ORDER No. REFER TO DRAWING : SEE TABLE 2)

TABLE 1

INSULATION RANGE	WIRE RANGE	SIZE	PART NUMBER		DESCRIPTION
			REEL	L/P	
4.9-7.8	AWG8, 7.95-8.92SQmm	L	2316819-1	2316820-1	D5 LONG TAB CONTACT
4.0-5.2	AWG12-10, 3.08-5.50SQmm	M	84695-1	2013593-1	
3.0-3.8	AWG16-14, 1.23-2.27SQmm	S	84696-1	2013594-1	

TABLE 2

DESCRIPTION	PART NUMBER
H24B MALE FRAME FOR 6 MODULES	T2070244101-002
H16B MALE FRAME FOR 4 MODULES	T2070164101-002
H10B MALE FRAME FOR 3 MODULES	T2070104101-002
H6B MALE FRAME FOR 2 MODULES	T2070064101-002
H10A MALE FRAME FOR 1 MODULE	T2079104101-002

2312737-2
PART NUMBER

THIS DRAWING IS A CONTROLLED DOCUMENT.		DWN R. ITO 13DEC2017	TE Connectivity NAME MODULE INSERT, HMN-HD5-3-M HDC DYNAMIC					
DIMENSIONS: mm		CHK T. SHIMOYASU 13DEC2017				PRODUCT SPEC 108-140160	SIZE A3	CAGE CODE -
TOLERANCES UNLESS OTHERWISE SPECIFIED:		APVD E. IKEMATSU 13DEC2017				APPLICATION SPEC 114-78028	DRAWING NO C-2312737	RESTRICTED TO -
0 PLC ± 0.5 1 PLC ± 0.5 2 PLC ± 0.5 3 PLC ± 0.5 4 PLC ± 0.5 ANGLES $\pm 5^{\circ}$		MATERIAL SEE TABLE				FINISH -	WEIGHT 14.4g	SCALE 3:2
CUSTOMER DRAWING			SHEET 1 OF 1	REV B				