

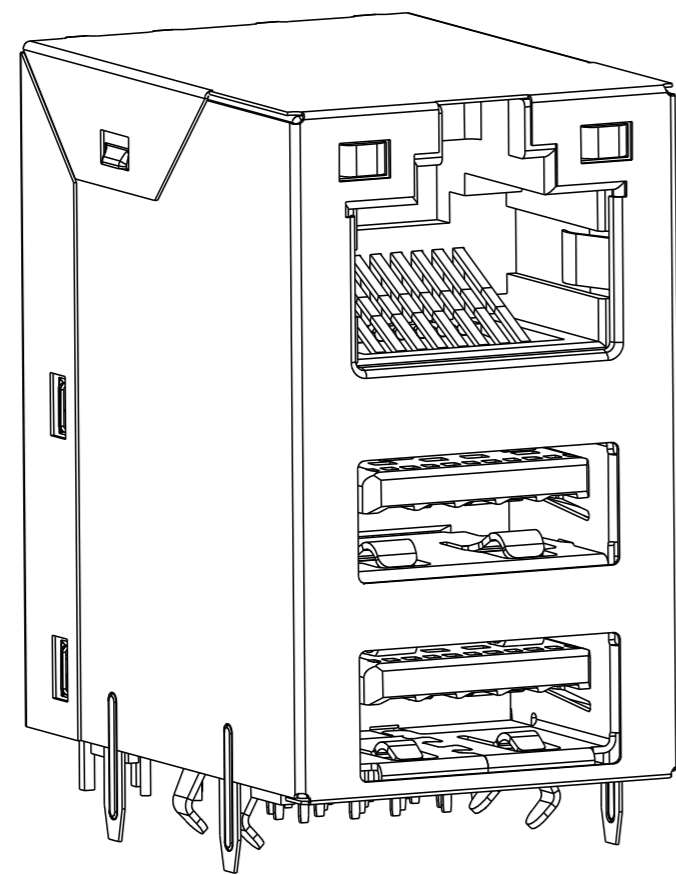
THIS DRAWING AND THE SUBJECT MATTER SHOWN THEREON ARE CONFIDENTIAL AND THE PROPERTY OF BEL/STEWART/TRP CONNECTOR AND SHALL NOT BE REPRODUCED, COPIED, OR USED IN ANY MANNER WITHOUT THE WRITTEN CONSENT OF TRP CONNECTOR.

PRODUCT MAY BE PROTECTED BY ONE OR MORE OF THE FOLLOWING US PATENTS:  
 5736910 5939955 6425781 6428361 6554638 6840817 7123117  
 7429195 7717749 7808751 6217391 6149050 7924130

REVISIONS

P	LTR	DESCRIPTION	DATE	DWN	APVD
A		EC-1710010	26MAR2020	TRY	TY

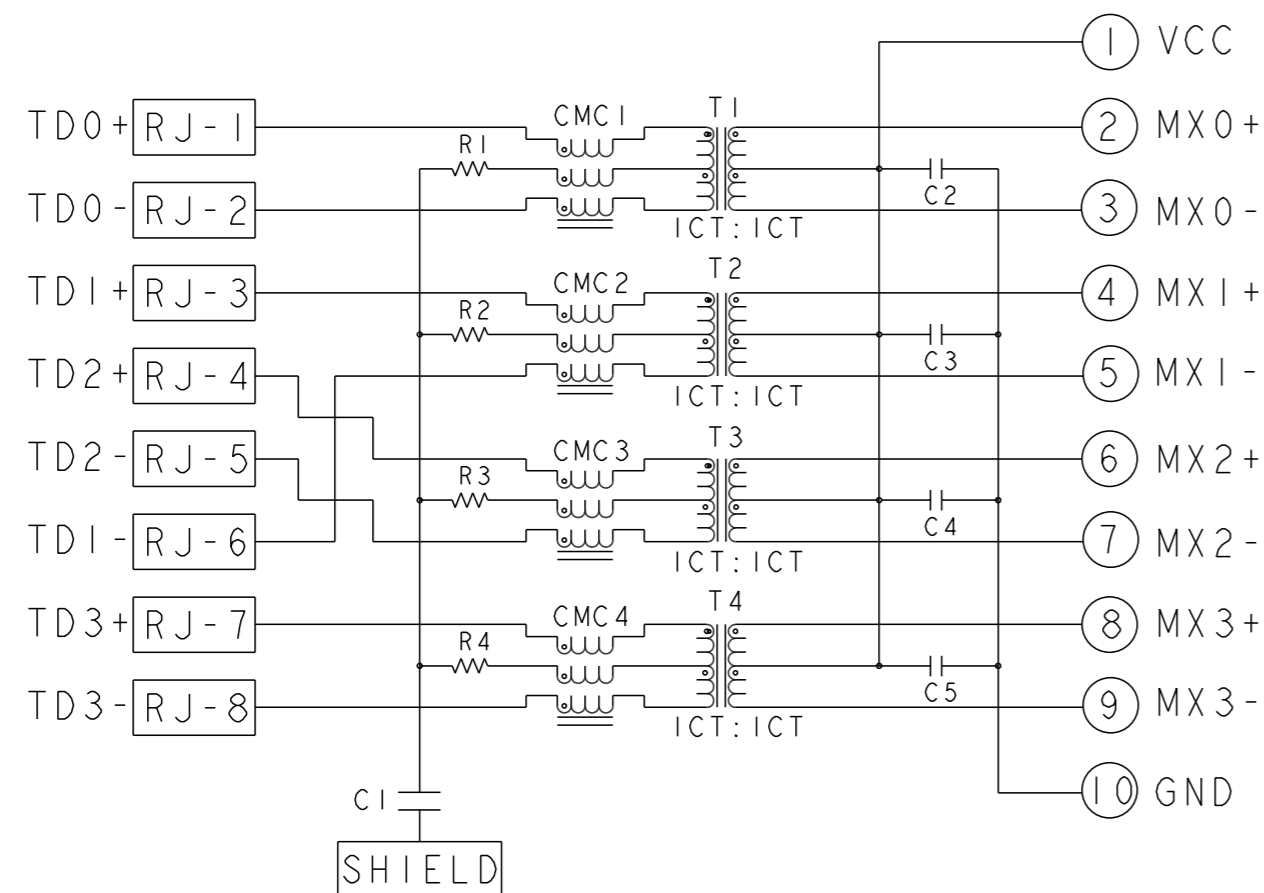
**HALOGEN FREE**



- MATERIALS**  
 USB MATERIALS:  
 HOUSING: THERMOPLASTIC, BLUE, FLAMMABILITY RATING UL 94V-0  
 USB 2.0 CONTACT: PHOSPHOR BRONZE, WITH 1.27um MIN OVERALL NICKEL UNDERPLATE AND SELECTIVE 0.762um MIN GOLD PLATING AT MATING INTERFACE  
 USB 3.0 CONTACT: COPPER BASE ALLOY, WITH 1.27um MIN OVERALL NICKEL UNDERPLATE AND SELECTIVE 0.762um MIN GOLD PLATING AT MATING INTERFACE  
 RJ45 MATERIALS:  
 HOUSING: THERMOPLASTIC, BLACK, FLAMMABILITY RATING UL 94V-0  
 SHIELD: STAINLESS STEEL, PREPLATED WITH MIN 0.76um SEMI-BRIGHT NICKEL, POST DIPPED WITH 2.54um MIN SOLDER ON SOLDER TAILS  
 CONTACT: PHOSPHOR BRONZE, WITH 1.27um MIN OVERALL NICKEL UNDERPLATE AND SELECTIVE 1.27um MIN GOLD PLATING AT MATING INTERFACE  
 LED MATERIALS:  
 DIFFUSED EPOXY LENS, CARBON STEEL LEAD FRAME LEADS, PREPLATED WITH 2.03um MIN SILVER OVER 1.02 MIN NICKEL OVER 1.02um MIN COPPER UNDERPLATE, POST PLATED WITH 2.54um MIN MATTE TIN AND/OR 2.54um MIN SAC SOLDER DIP OR PURE TIN SOLDER DIP.

- MAGNETICS**  
 -APPLICATION : 10/100/1000 BASE-T, EXTENDED TEMPERATURE  
 -IMPEDANCE: 100 OHMS  
 -TURNS RATIO(CHIP:CABLE): 1:1 ALL FOUR PAIRS  
 -OPEN CIRCUIT INDUCTANCE(OCL): 350uH MIN @100kHz, 0.1 VRMS, 8mADC BIAS FROM -40°C TO 85°C, ALL FOUR PAIRS  
 -ALL FOUR PAIRS BI-DIRECTIONAL  
 -PERFORMANCE @ 25°C:  
 INSERTION LOSS (IL): 1.1 dB MAX FROM 0.5MHz TO 100MHz  
 RETURN LOSS (RL): 18dB MIN FROM 0.5MHz TO 40MHz  
 12-20LOG(f/80)dB MIN FROM 40.1 MHz TO 100MHz  
 CROSSTALK ATTENUATION: 35 dB MIN FROM 0.5 MHz TO 40 MHz  
 33-20LOG(f/50) dB MIN FROM 40.1 MHz TO 100 MHz  
 COMMON MODE REJECTION RATIO (CMRR): 30dB MIN FROM 0.5MHz TO 100MHz  
 -ISOLATION VOLTAGE: 2250VDC (MAX) FOR 60 SECONDS WITH A RISE TIME OF 500V/SEC.
- THE MAGNETIC CIRCUIT ON ALL FOUR CHANNELS IS SYMMETRICAL AND SUPPORTS AUTO-MDIX OPERATION.
- OPERATING TEMPERATURE: -40°C TO 85°C.
- DATUM Y AND BASIC DIMENSION ESTABLISHED BY CUSTOMER.
- RJ45 CAVITY CONFORMS TO FCC RULES AND REGULATION PART 68 SUBPART F.
- TRP CONNECTOR LOGO, PART NUMBER, DATE CODE, COUNTRY OF ORIGIN, AGENCY APPROVAL MARKING IN APPROPRIATE LOCATION SHOWN. DATE CODE: YYWW WHERE "YY" IS YEAR, "WW" IS WORK WEEK, "D" IS DAY OF WEEK, WITH SUNDAY= 1
- LED IS DRIVEN WITH CONSTANT CURRENT AT APPROX 20mA  
 LED COLOR: DOMINANT WAVELENGTH (λD)  
 GREEN 568 nm TYP at IF=20mA; YELLOW, 588nm TYP AT IF=20mA  
 FORWARD VOLTAGE (VF):  
 GREEN 2.2V TYP at IF=20mA; YELLOW, 2.1V TYP AT IF=20mA
- THE PARTS ARE RECOMMENDED FOR WAVE SOLDERING PROCESS, PEAK TEMPERATURE 260°C MAX, 10 SECONDS MAX.
- LOW HALOGEN SPEC(EXCEPT LIGHT PIPE):  
 CHLORINE (Cl) 900PPM MAX  
 BROMINE (Br) 900PPM MAX  
 TOTAL BROMINE AND CHLORINE (Br+Cl) 1500PPM MAX  
 LIGHT PIPE COMPLY WITH LOW HALOGEN SPECIFICATION "DIN VDE 0472"  
 CHLORINE (Cl) 1000PPM MAX  
 BROMINE (Br) 1000PPM MAX  
 TOTAL BROMINE AND CHLORINE (Br+Cl) 2000PPM MAX

URG153ET GIGABIT CIRCUIT <sup>2</sup>

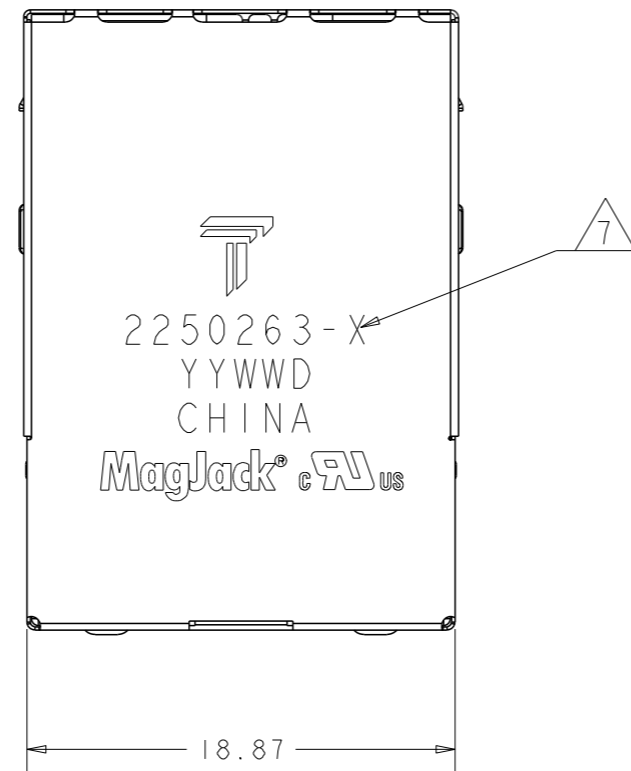


C1: 1000pF, 2kV, CAPACITOR;  
 C2-C5: 100nF, 50V, CAPACITORS;  
 R1-R4: 750hms, 1/16W, RESISTORS

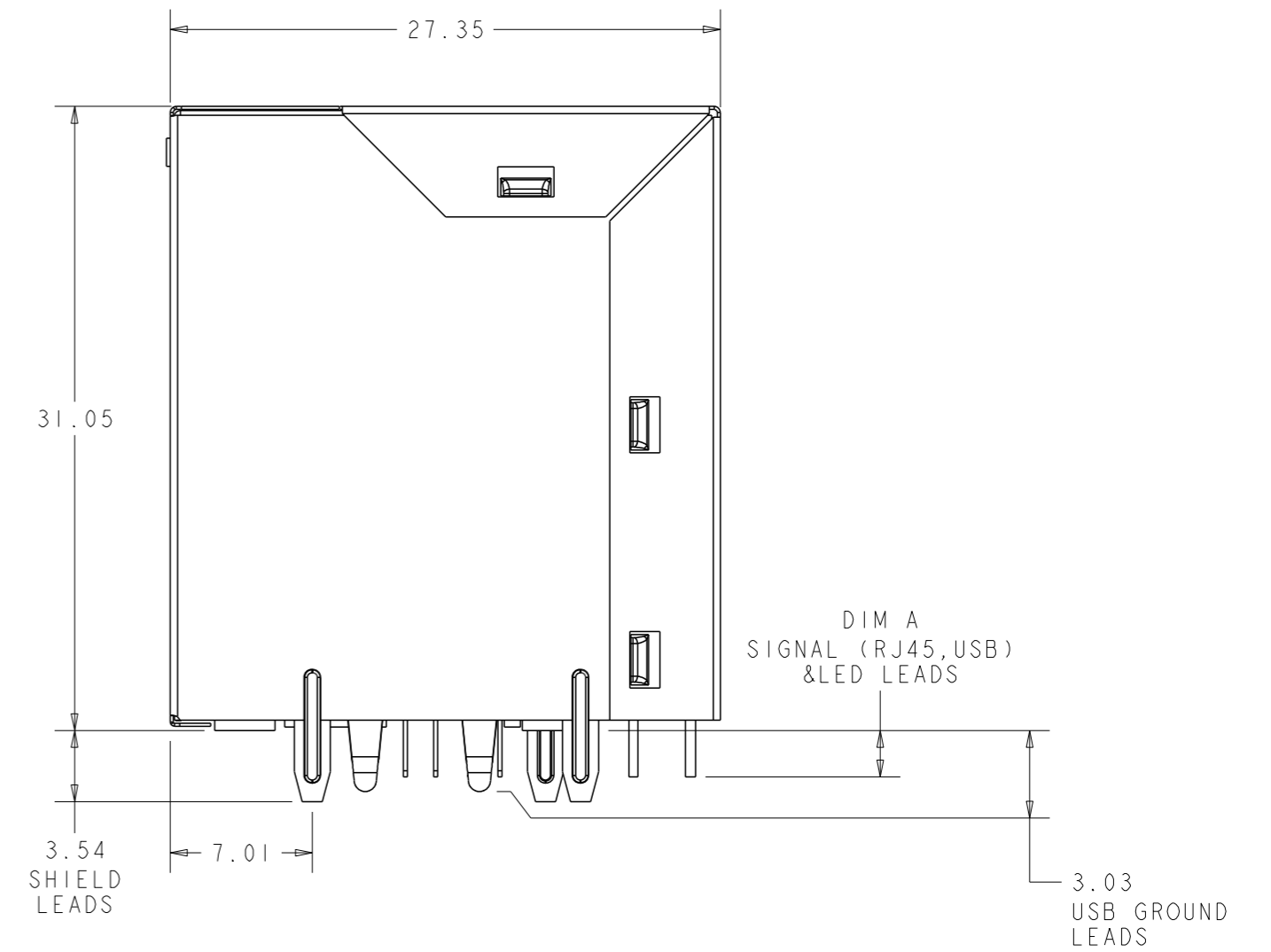
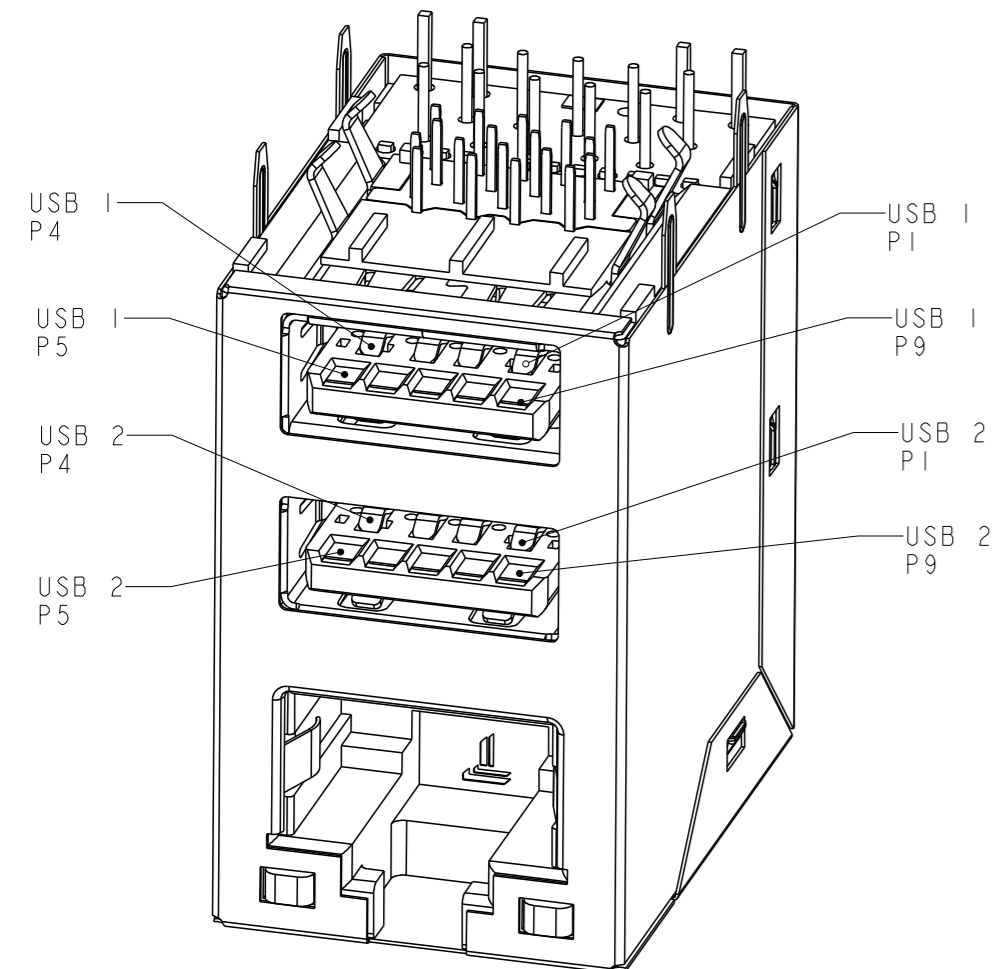
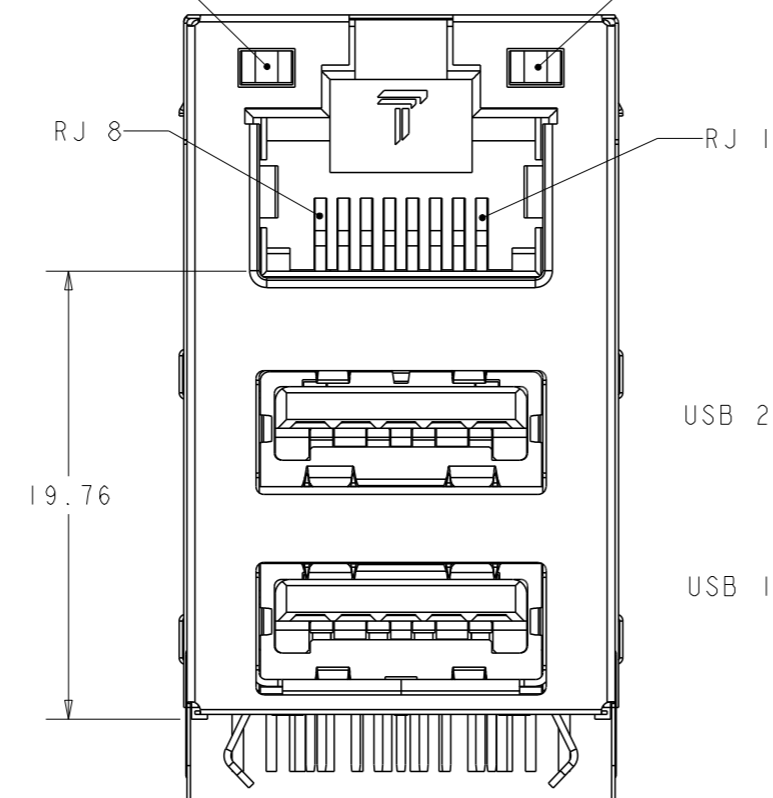
2.30	GREEN	GREEN/YELLOW	2250263-1
DIM A	LED2	LED1	PART NUMBER

THIS DRAWING IS A CONTROLLED DOCUMENT, AND COMPLIANT TO ASME Y14.5M		DWN JAMISON CHEN 10DEC2014	 <b>trp</b> CONNECTOR a bel group DONGGUAN CHINA
DIMENSIONS: mm		CHK QUENTIN LIU 10DEC2014	
		APVD TONY YUAN 10DEC2014	
TOLERANCES UNLESS OTHERWISE SPECIFIED: 0 PLC ± 1 PLC ±0.25 2 PLC ±0.25 3 PLC ±0.25 4 PLC ± ANGLES ±° APPLICATION SPEC		MODEL NAME	
PRODUCT SPEC		MAGJACK OVER USB NON-POE	DESC MAGJACK OVER DUAL USB3.0 NON-POE GIGABIT CIRCUIT, W/ LED
		SIZE A2	RESTRICTED TO -
		CAGE CODE	DRAWING NO C-2250263
		SCALE NTS	SHEET 1 OF 4 REV A

**HALOGEN FREE**

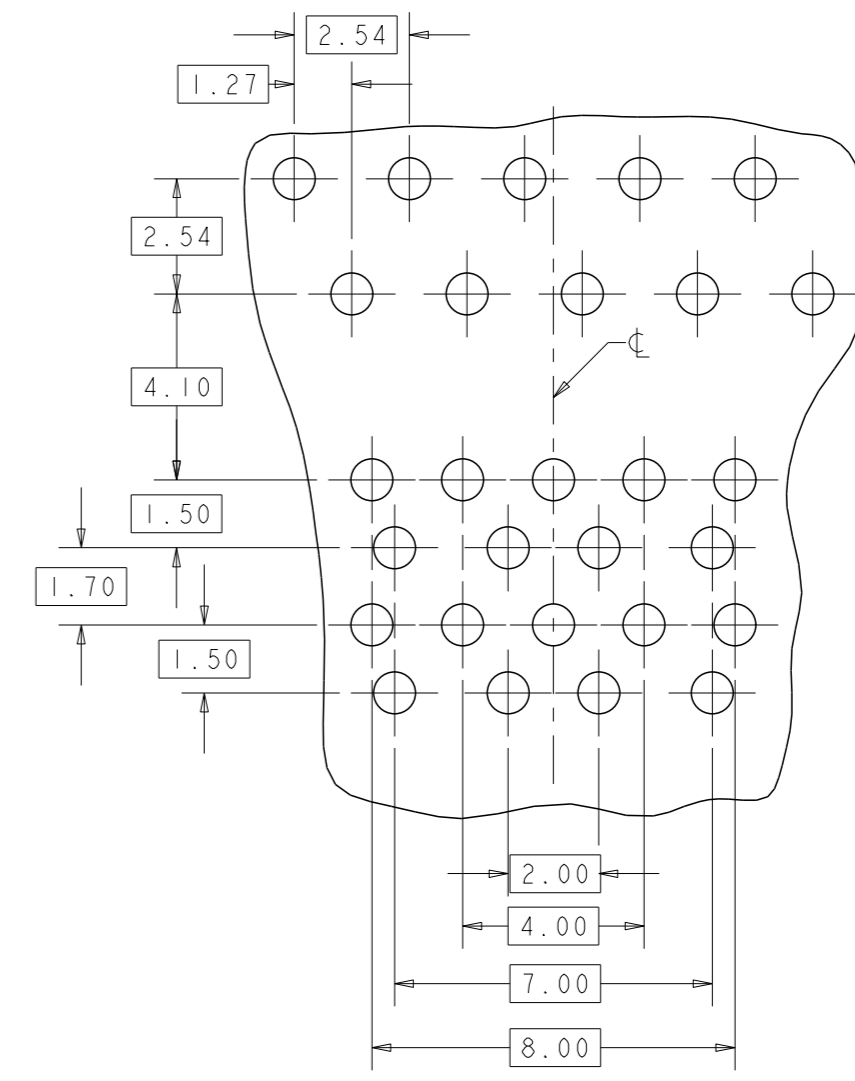
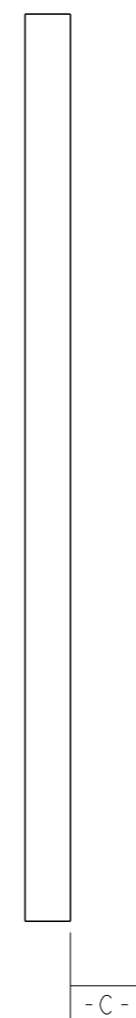
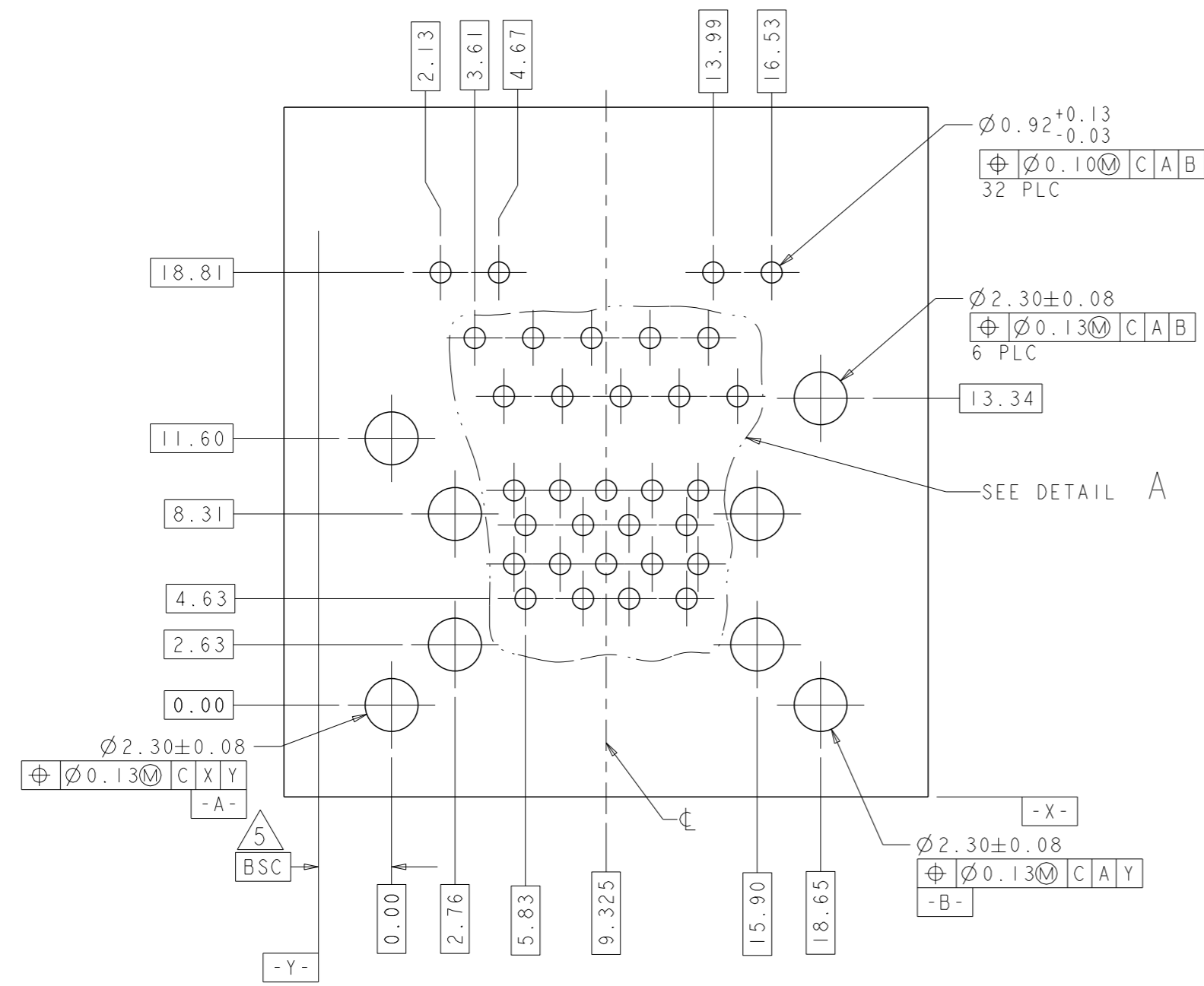



SEE TABLE FOR COLOR LED 2  
LED 1 SEE TABLE FOR COLOR



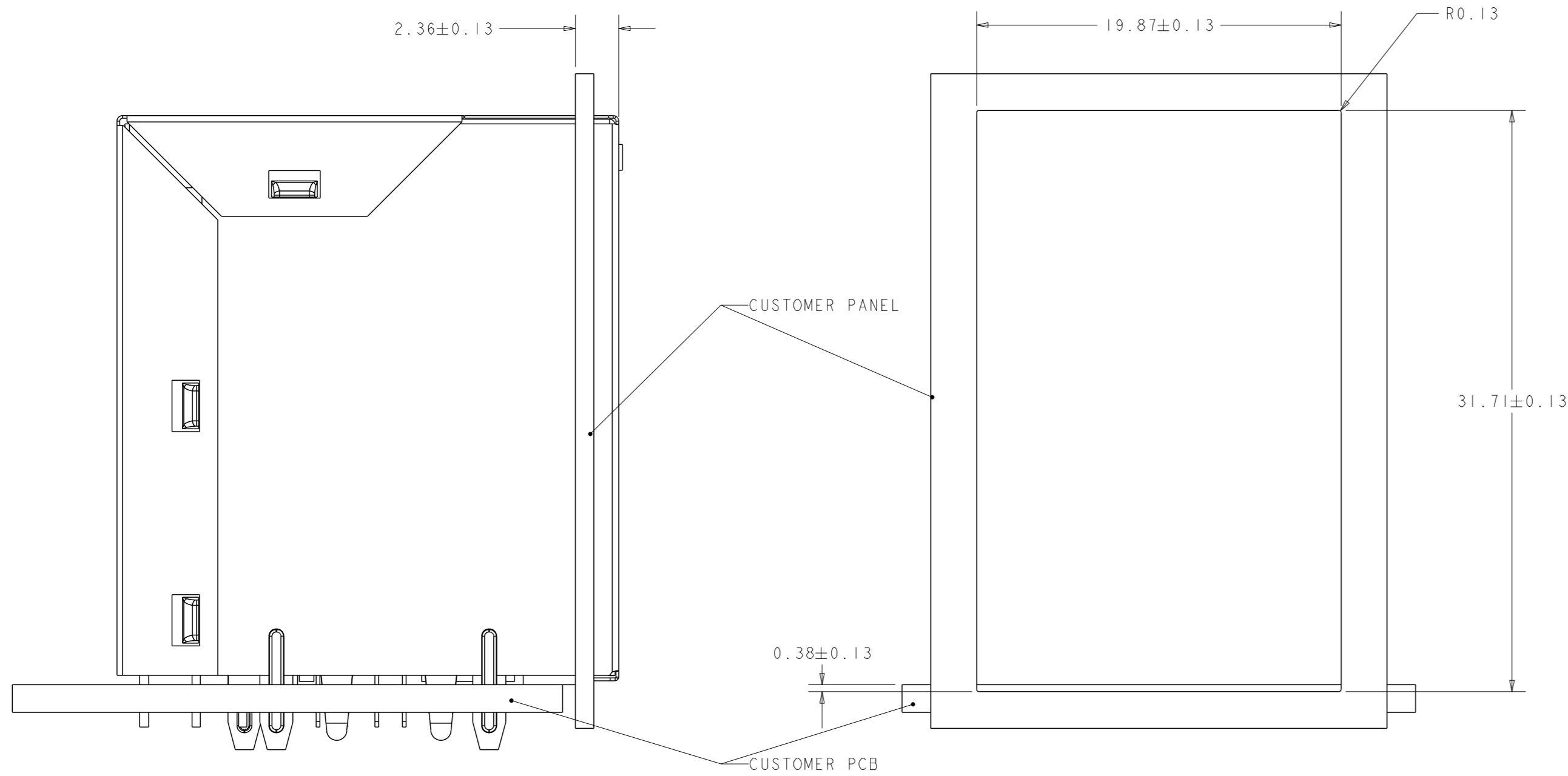
THIS DRAWING IS A CONTROLLED DOCUMENT, AND COMPLIANT TO ASME Y14.5M		DWN JAMISON CHEN 10DEC2014	<p><b>trp</b> CONNECTOR a bel group DONGGUAN CHINA</p>
DIMENSIONS: mm		CHK QUENTIN LIU 10DEC2014	
TOLERANCES UNLESS OTHERWISE SPECIFIED:		APVD TONY YUAN 10DEC2014	
 0 PLC ± 1 PLC ±0.25 2 PLC ±0.25 3 PLC ±0.25 4 PLC ± ANGLES ± APPLICATION SPEC		MODEL NAME MAGJACK OVER USB NON-PoE	
PRODUCT SPEC		DESC MAGJACK OVER DUAL USB3.0 NON-PoE GIGABIT CIRCUIT, W/ LED	
-		SIZE A2	
-		CAGE CODE C-2250263	
-		DRAWING NO -	
-		RESTRICTED TO -	
-		CUSTOMER DRAWING	
-		SCALE NTS	
-		SHEET 2 OF 4	
-		REV A	

HALOGEN FREE

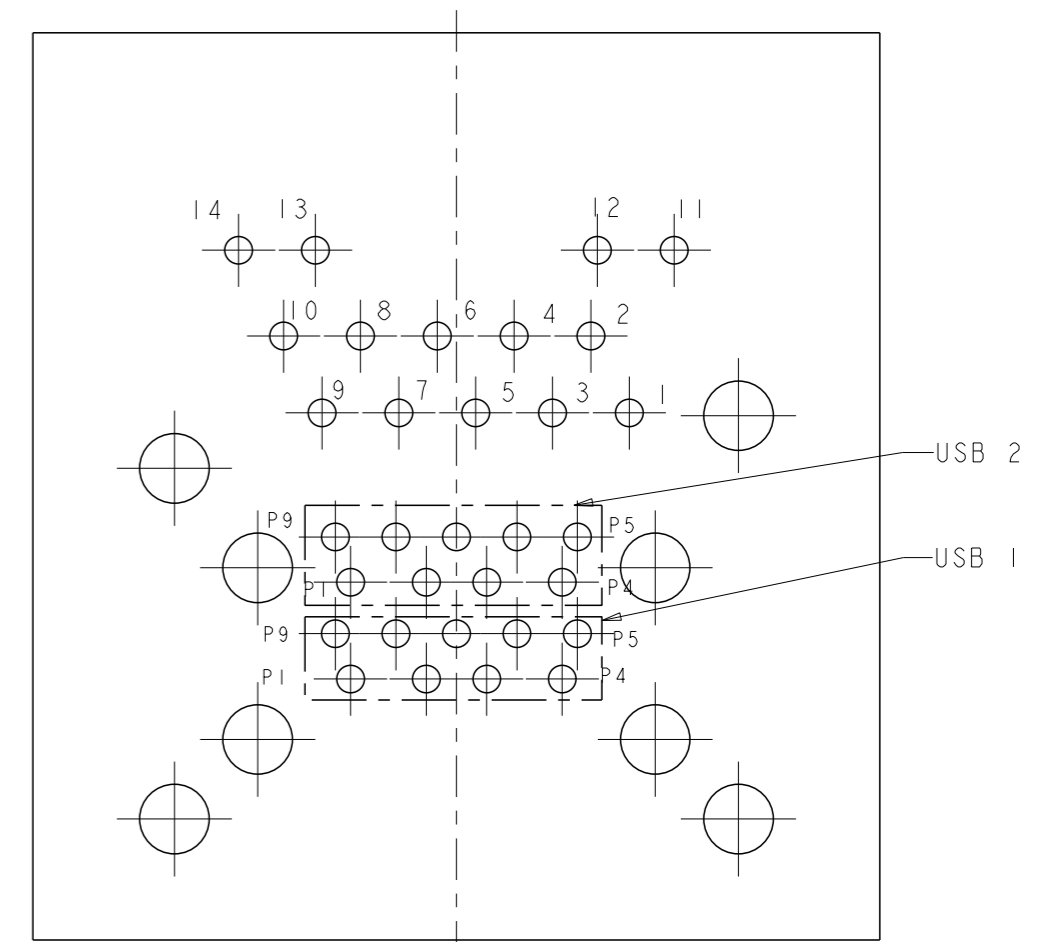


THIS DRAWING IS A CONTROLLED DOCUMENT. AND COMPLIANT TO ASME Y14.5M		DWN JAMISON CHEN 10DEC2014	 <b>trp</b> CONNECTOR a bel group DONGGUAN CHINA
DIMENSIONS: mm		CHK QUENTIN LIU 10DEC2014	
TOLERANCES UNLESS OTHERWISE SPECIFIED:		APVD TONY YUAN 10DEC2014	DESC MAGJACK OVER DUAL USB3.0 NON-PoE GIGABIT CIRCUIT, W/ LED
0 PLC ± 1 PLC ±0.25 2 PLC ±0.25 3 PLC ±0.25 4 PLC ± ANGLES ± APPLICATION SPEC		MODEL NAME MAGJACK OVER USB NON-PoE	SIZE A2
PRODUCT SPEC		CAGE CODE C-2250263	DRAWING NO C-2250263
-		CUSTOMER DRAWING	
-		SCALE NTS	SHEET 3 OF 4 REV A

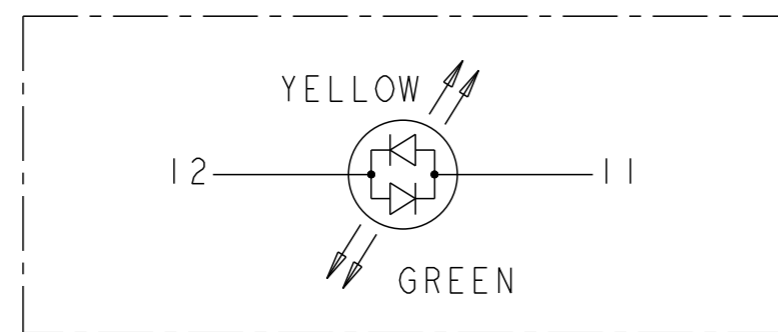
**HALOGEN FREE**



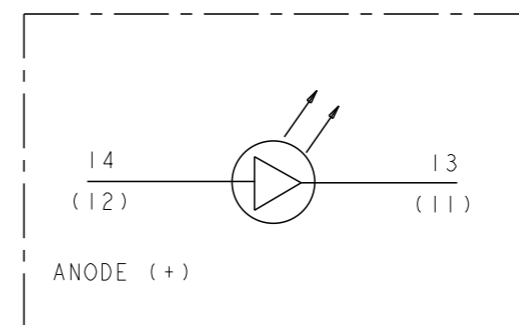
SUGGEST CUSTOMER CUTOUT DIMENSIONS



BI-COLOR LED



SINGLE COLOR LED



THIS DRAWING IS A CONTROLLED DOCUMENT, AND COMPLIANT TO ASME Y14.5M

DIMENSIONS:	TOLERANCES UNLESS OTHERWISE SPECIFIED:
mm	0 PLC ±
	1 PLC ±0.25
	2 PLC ±0.25
	3 PLC ±0.25
	4 PLC ±
PRODUCT SPEC	ANGLES ±
	APPLICATION SPEC

DWN	JAMISON CHEN	10DEC2014
CHK	QUENTIN LIU	10DEC2014
APVD	TONY YUAN	10DEC2014
MODEL NAME	MAGJACK OVER USB NON-PoE	

**trp** CONNECTOR DONGGUAN CHINA

a bel group

DESC MAGJACK OVER DUAL USB3.0 NON-PoE GIGABIT CIRCUIT, W/ LED

SIZE	CAGE CODE	DRAWING NO	RESTRICTED TO
A2		C-2250263	-
CUSTOMER DRAWING		SCALE NTS	SHEET 4 OF 4 REV A