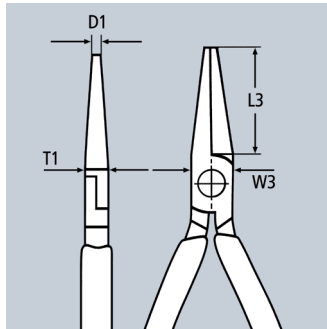


Round Nose Pliers

DIN ISO 5745

22

- > for bending wire loops
- > round, short jaws; smooth ground
- > smooth tips
- > special tool steel; forged, oil-hardened



Product Number	Packaging	↔ Inch mm	8	Pliers	Head	Handles	Dimensions					⚖ lbs
							L3 Inch mm	W3 Inch mm	D1 Inch mm	T1 Inch mm		
22 01 125		5 125					1 1/16 27.0	37/64 14.5	5/64 2.0	5/16 8.0	0.16	
22 01 140		5 1/2 140	8	black atramentized	polished	non-slip plastic coated	1 7/64 28.0	21/32 16.5	3/32 2.5	3/8 9.5	0.22	
22 01 160	X	6 1/4 160					1 3/16 30.0	45/64 18.0	1/8 3.0	3/8 9.5	0.30	
22 02 140		5 1/2 140	8	black atramentized	polished	multi-component grips	1 7/64 28.0	21/32 16.5	3/32 2.5	3/8 9.5	0.29	
22 02 160		6 1/4 160	8	black atramentized	polished	multi-component grips	1 3/16 30.0	45/64 18.0	1/8 3.0	3/8 9.5	0.37	
22 08 160 SBA	X	6 1/4 160	⚡ 1000 V ASTM 8	black atramentized	polished	insulated with multi-component grips, ASTM-tested	1 3/16 30.0	45/64 18.0	1/8 3.0	3/8 9.5	0.40	

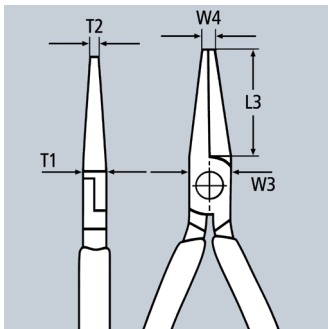
Flat Nose Pliers with cutting edges

Precision Mechanics Pliers

DIN ISO 5745

23

- > suitable for gripping and cutting work in fine mechanics
- > flat, long and tapered jaws
- > cutting edge hardness (approx. 60 HRC)
- > high-grade special tool steel; forged, multi stage oil-hardened



Product Number	Packaging	↔ Inch mm	8	Head	Handles	Cutting capacities		Dimensions					⚖ lbs
						⊘ Inch Ø mm	⊘ Inch Ø mm	T1 Inch mm	L3 Inch mm	W3 Inch mm	W4 Inch mm	T2 Inch mm	
23 01 140		5 1/2 140		polished	plastic coated	3/32 2.5	1/16 1.6	9/32 7.0	1 3/8 35.0	31/64 12.5	1/8 3.0	11/64 4.5	0.17