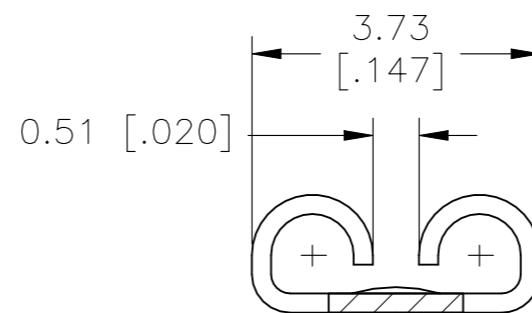
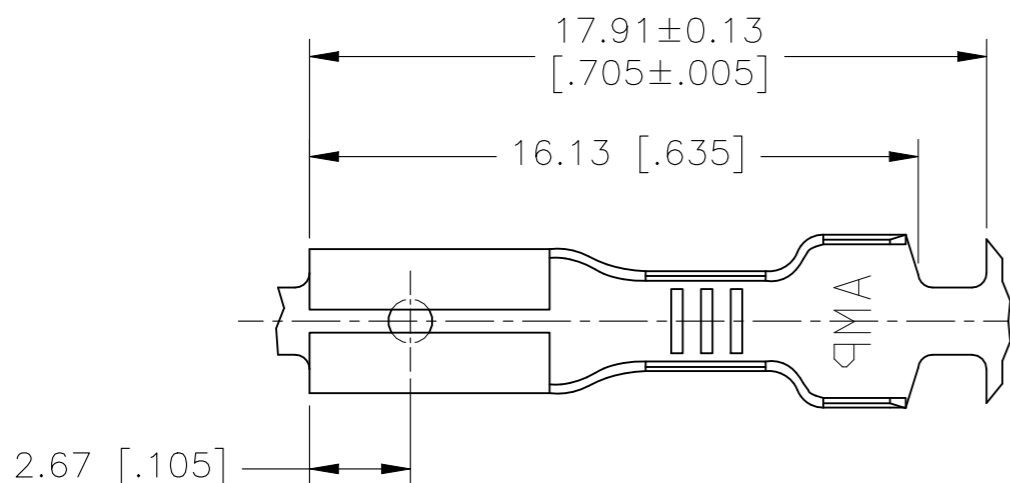
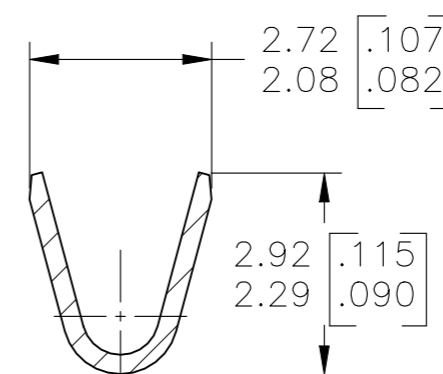


REVISIONS					
P	LTR	DESCRIPTION	DATE	DWN	APVD
	B2	REVISED PER ECR-19-018140	24DEC2020	SS	EW

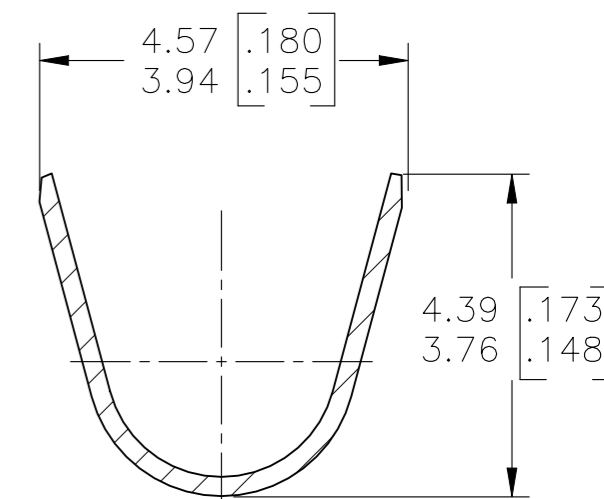


- 1 CONTINUOUS STRIP ON REELS
- 2 FINISH LEAD-FREE, MATTE TIN OVER NICKEL.

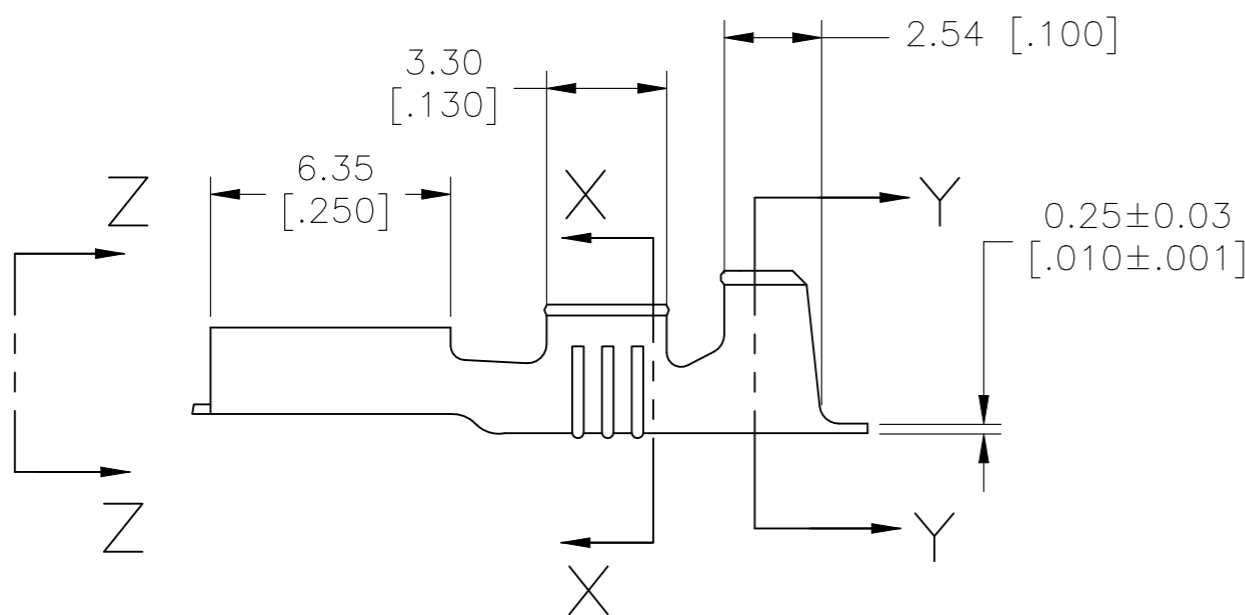
VIEW Z-Z
SCALE 10:1



SECTION X-X
SCALE 10:1



SECTION Y-Y
SCALE 10:1



OBSOLETE	Ø2.29-3.30 Ø[.090-.130]	#22-#18 AWG	0.51±0.03 [.020±.001]		1742785-2
				PRE-TIN	1742785-1
	INSULATION RANGE	WIRE SIZE	MATING TAB THK	FINISH	PART NO.

THIS DRAWING IS A CONTROLLED DOCUMENT.		DWN JR RUTH 25FEB09	TE Connectivity														
DIMENSIONS: mm [INCHES]		CHK MS FEHER 25FEB09															
TOLERANCES UNLESS OTHERWISE SPECIFIED:		APVD P DESANTIS 25FEB09	NAME														
<table border="0"> <tr><td>0 PLC</td><td>± -</td></tr> <tr><td>1 PLC</td><td>± -</td></tr> <tr><td>2 PLC</td><td>± 0.38 [.015]</td></tr> <tr><td>3 PLC</td><td>± -</td></tr> <tr><td>4 PLC</td><td>± -</td></tr> <tr><td>ANGLES</td><td>± -</td></tr> </table>		0 PLC	± -	1 PLC	± -	2 PLC	± 0.38 [.015]	3 PLC	± -	4 PLC	± -	ANGLES	± -	PRODUCT SPEC	RECEPTACLE, FASTON, 2.79 [.110] SERIES		
0 PLC	± -																
1 PLC	± -																
2 PLC	± 0.38 [.015]																
3 PLC	± -																
4 PLC	± -																
ANGLES	± -																
MATERIAL BRASS		FINISH -	APPLICATION SPEC	SIZE	RESTRICTED TO												
		WEIGHT 0.000000	CAGE CODE A300779	DRAWING NO C-1742785													
CUSTOMER DRAWING			SCALE 5:1	SHEET 1 OF 1	REV B2												