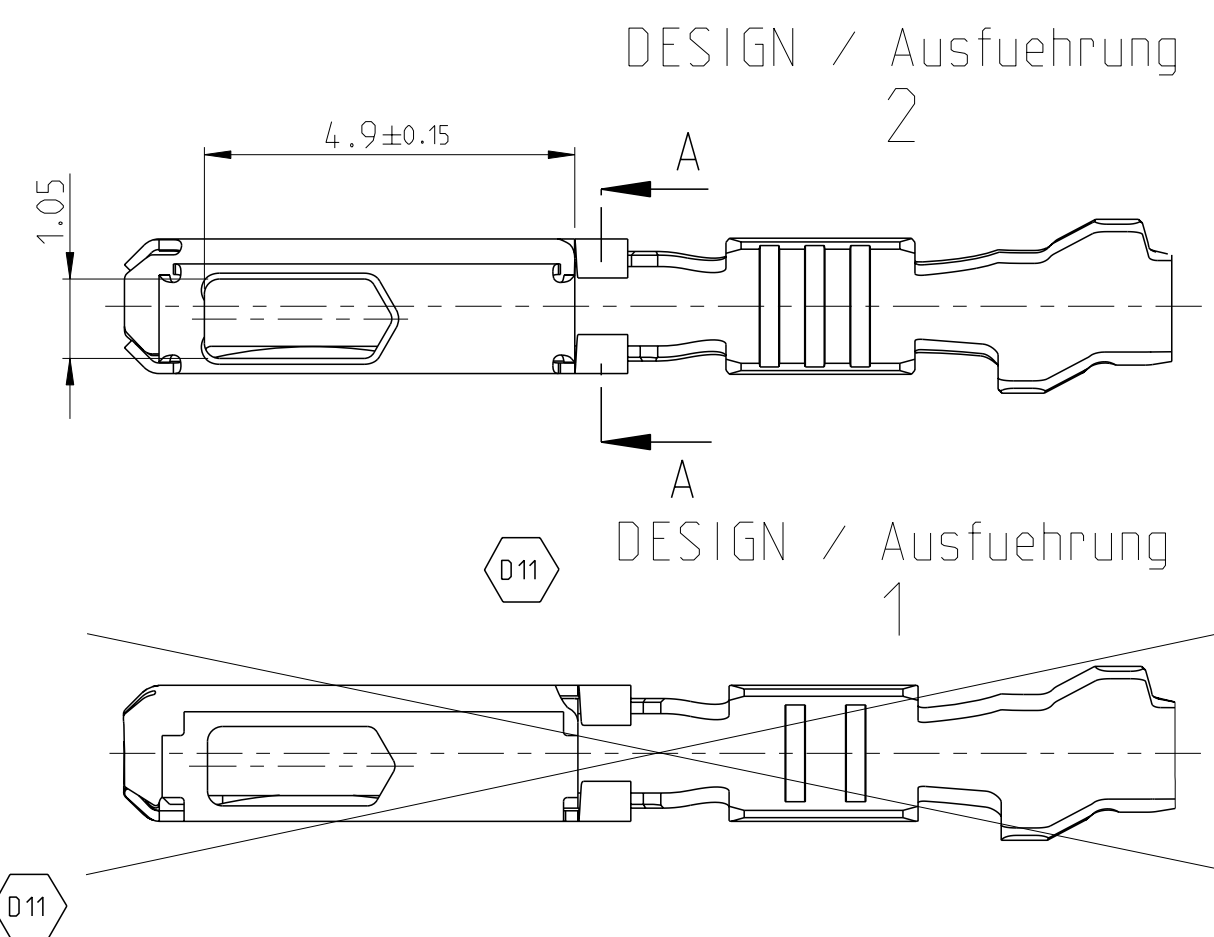
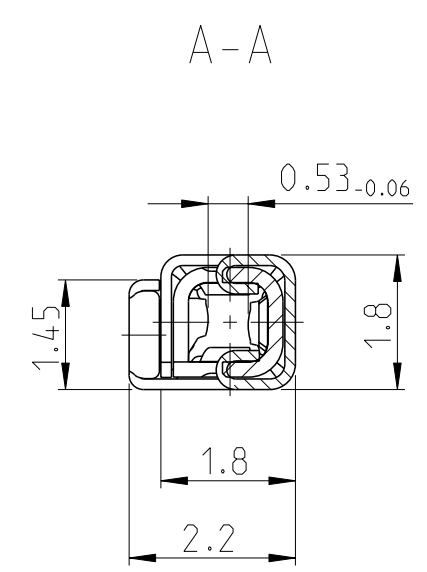
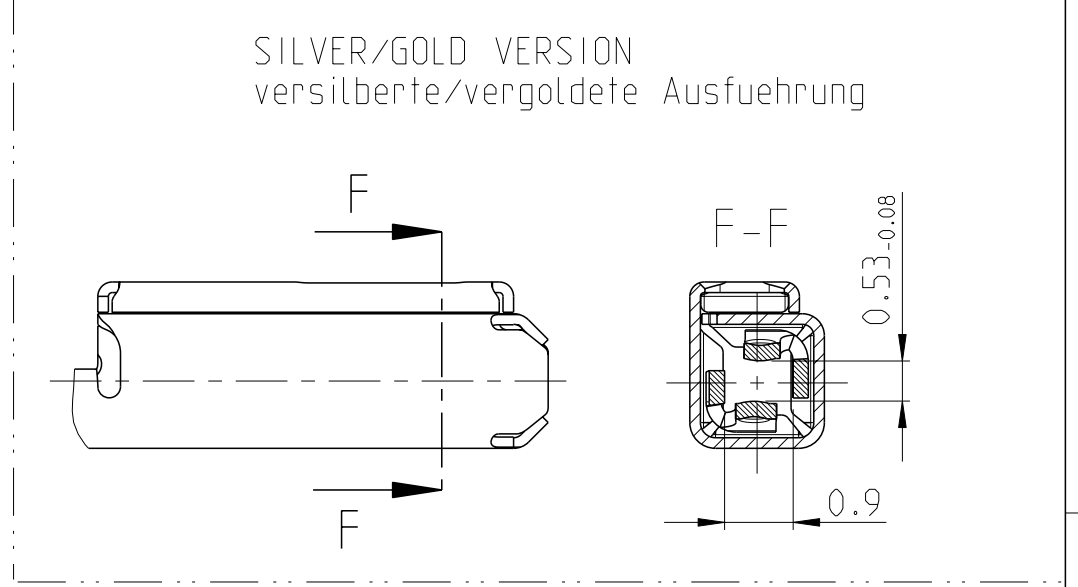
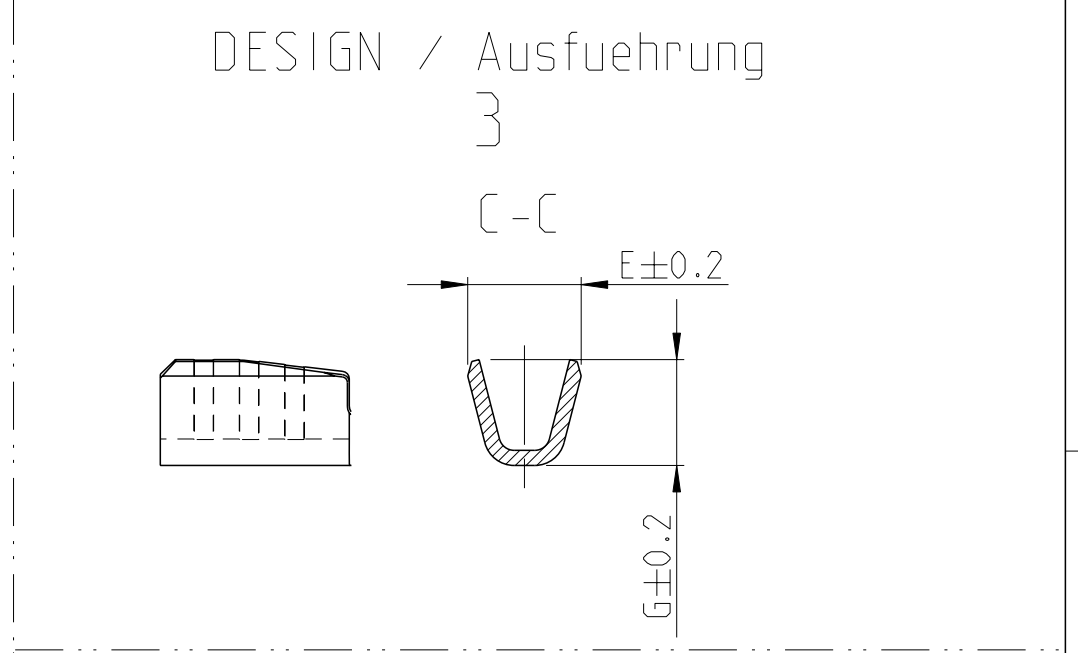
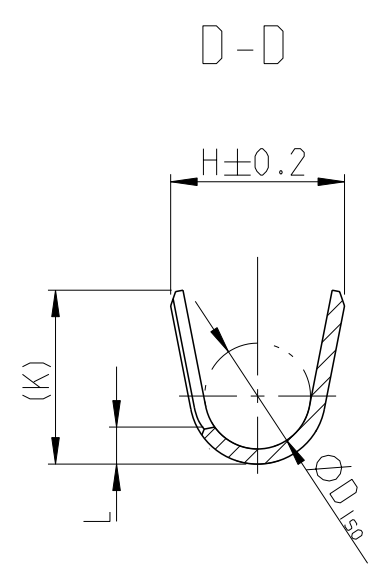
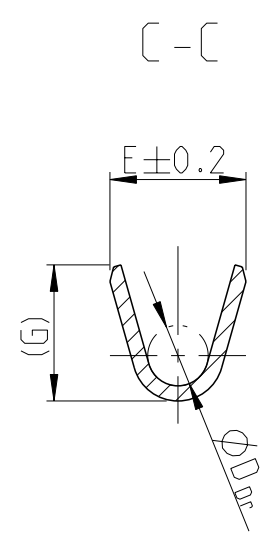
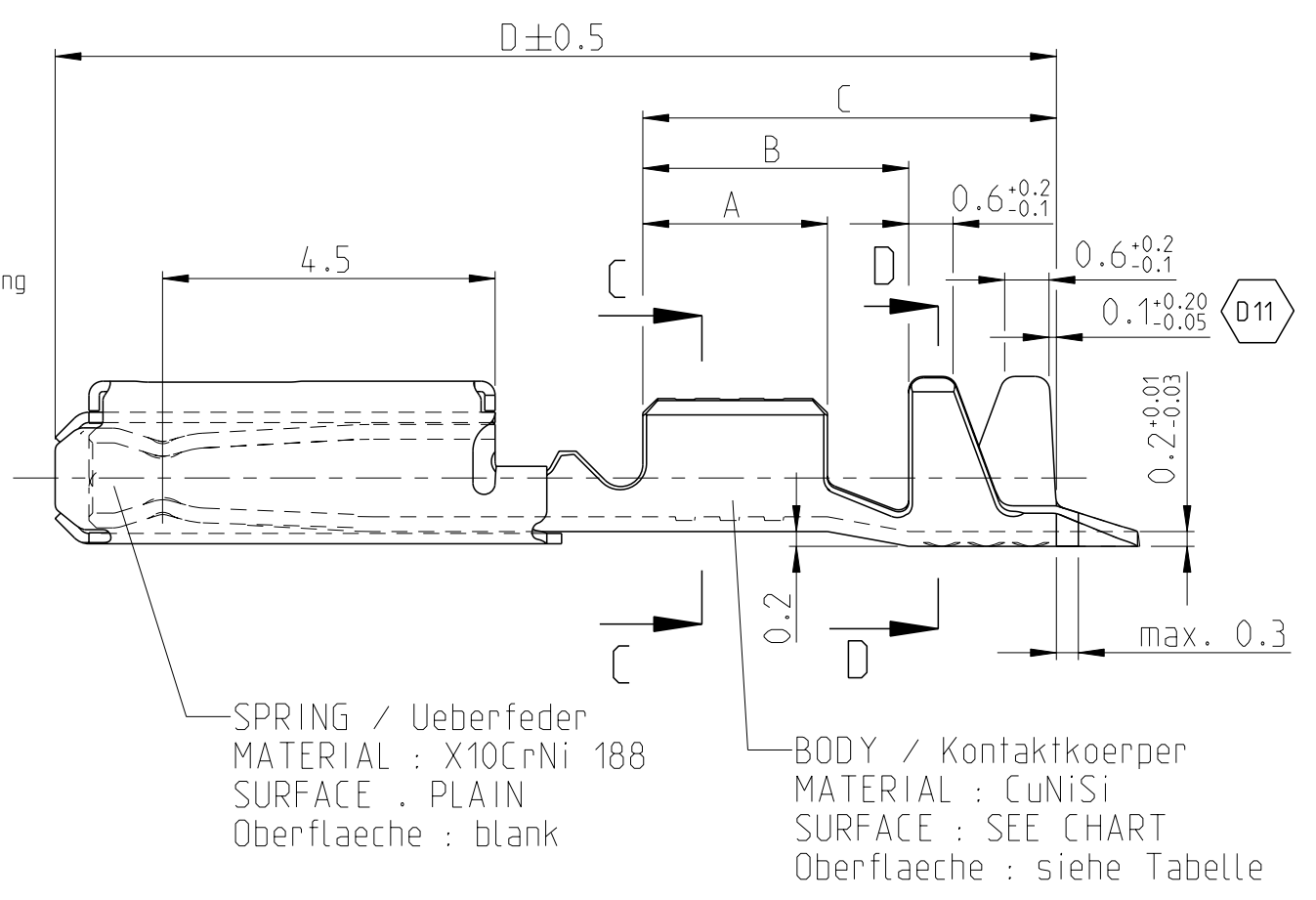
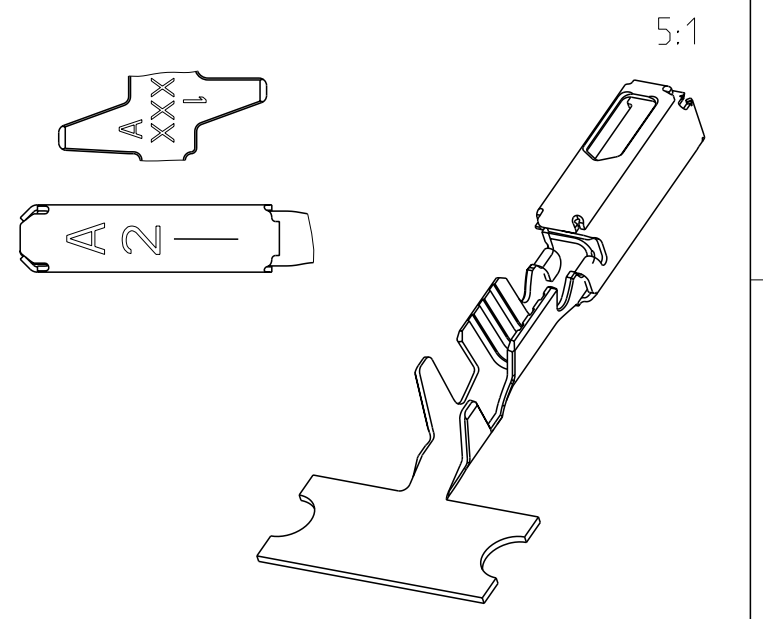


THIS DRAWING IS UNPUBLISHED. RELEASED FOR PUBLICATION 2012
 © COPYRIGHT 2012 Tyco Electronics AMP GmbH ALL RIGHTS RESERVED.

LOC	DIST	REVISIONS					
A1	-	P	LTR	DESCRIPTION	DATE	DWN	APVD
		D8		2295077-1 ADDED PER ECR-15-017111	23NOV2015	MAH.	BRUN
		D9		New View for Gold Version added	03APR2019	FRAN	BERG
		D10		See PCN E-19-011079	09DEC2019	MAH.	BERG
		D11		See PCN E-20-001102	27AUG2020	MAH.	BERG



- NOTES
 Bemerkungen
- SUITABLE FOR PIN CONTACT SEE DRAWING: TE: 929453
 Passend zu Stiftkontakt siehe Zeichnung: TE: 929453
 - FOR FLR-CONDUCTOR ACCORDING TO DIN 72551-6 ONLY
 Nur fuer FLR-Leitung nach DIN 72551, Teil 6
 - DETAILS OF DESIGN ARE LEFT TO MANUFACTURER
 Einzelheiten der Ausfuehrung bleiben dem Hersteller ueberlassen
 - TE REVISION AND DIE IDENTIFICATION (E.G. REV. A DIE-NO. 1)
 TE Revision und Werkzeug-Nr.(z.B. Rev. A Wkzg.-Nr. 1)
 - WITH DOUBLE-OUT DIES THE FIRST SPRING WILL BE PROVIDED WITH AN INDICATION "-"
 Bei doppelt fallenden Werkzeugen wird die erste Ueberfeder mit einer Kennzeichnung "-" versehen
 - Varianten von Design1 werden durch die entsprechenden Versionen von Design2 ersetzt
 VARIANTS OF DESIGN1 ARE SUPERSEDED BY CORRESPONDING VERSIONS OF DESIGN2



ORDER NO. DESIGN Bestell-Nr. Ausfuehrung	ORDER NO. DESIGN Bestell-Nr. Ausfuehrung	REV	ORDER NO. DESIGN Bestell-Nr. Ausfuehrung	REV	WIRE SIZE RANGE DGB mm ²	INSULATION Isolations Ø	SURFACE CONTACT AREA Oberflaeche Kontaktzone	LENGTH Laenge mm	WIRE CRIMP Drahtcrimp mm	INSU. CRIMP Iso' Crimp mm	WEIGHT Gewicht g
-	2295077-1	A	-	-	0.08-0.22	0.85-1.2	Sn	A = 2.5 B = 3.7 C = 5.4 D = 13.6	E = 1.5 G = 1.4 D _{Dr} = 0.2	H = 2.0 K = 1.9 L = 0.65 D _{Iso} = 1.1	0.15
5-1703282-2	-	A	1703282-2	B	0.5-0.75	1.4-1.9	Au	A = 2.8 B = 3.8 C = 5.6 D = 13.6	E = 2 G = 2.1 D _{Dr} = 1	H = 2.7 K = 2.9 L = 0.7 D _{Iso} = 1.4	0.13
5-1703282-1	-	A	1703282-1	A			Ag	A = 2.5 B = 3.6 C = 5.6 D = 13.6	E = 1.8 G = 1.8 D _{Dr} = 0.8	H = 2.3 K = 2.3 L = 0.6 D _{Iso} = 1.4	0.12
5-1534116-3	-	A	-	-	0.25-0.35	1.2-1.6	Au	A = 2.5 B = 3.6 C = 5.6 D = 13.6	E = 1.8 G = 1.8 D _{Dr} = 0.8	H = 2.3 K = 2.3 L = 0.6 D _{Iso} = 1.4	0.12
5-1534116-2	-	A	1534116-2	B			Sn				
5-1534116-1	-	A	1534116-1	B							

THIS DRAWING IS A CONTROLLED DOCUMENT.

DWN: R.Schaefer 29JAN2002
 CHK: H.Kampmann 05JUL2007
 APVD: M.Bleicher 29APR2008

TE Connectivity

NAME: MQS 2POINT, CLEANBODY
 PRODUCT GROUP DRAWING SOCKET CONTACT
 Produktgruppenzeichnung Buchsenkontakt

108-18874
 APPLICATION SPEC 114-18021

SIZE: A2
 CAGE CODE: 00779
 DRAWING NO: 1534615

RESTRICTED TO: -

CUSTOMER DRAWING SCALE: 10:1 SHEET: 1 OF 1 REV: D11