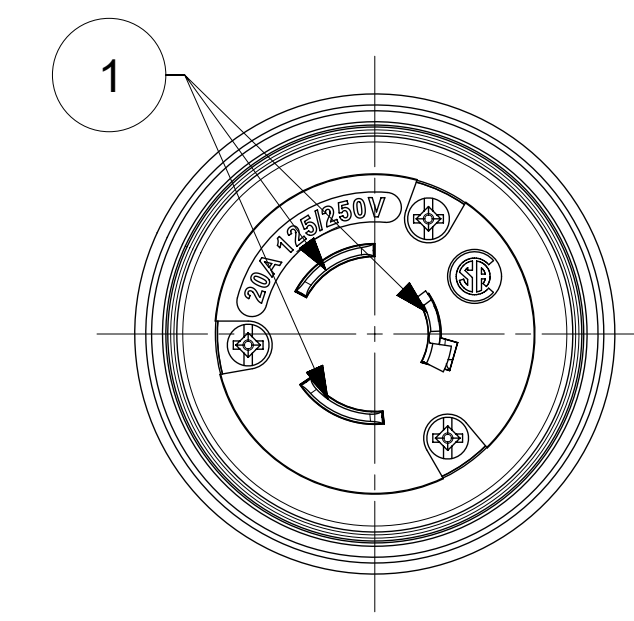
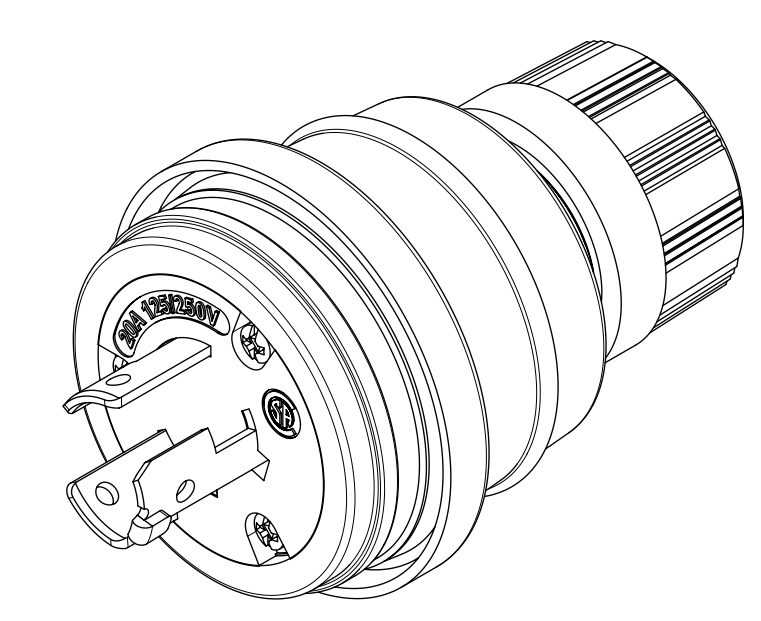
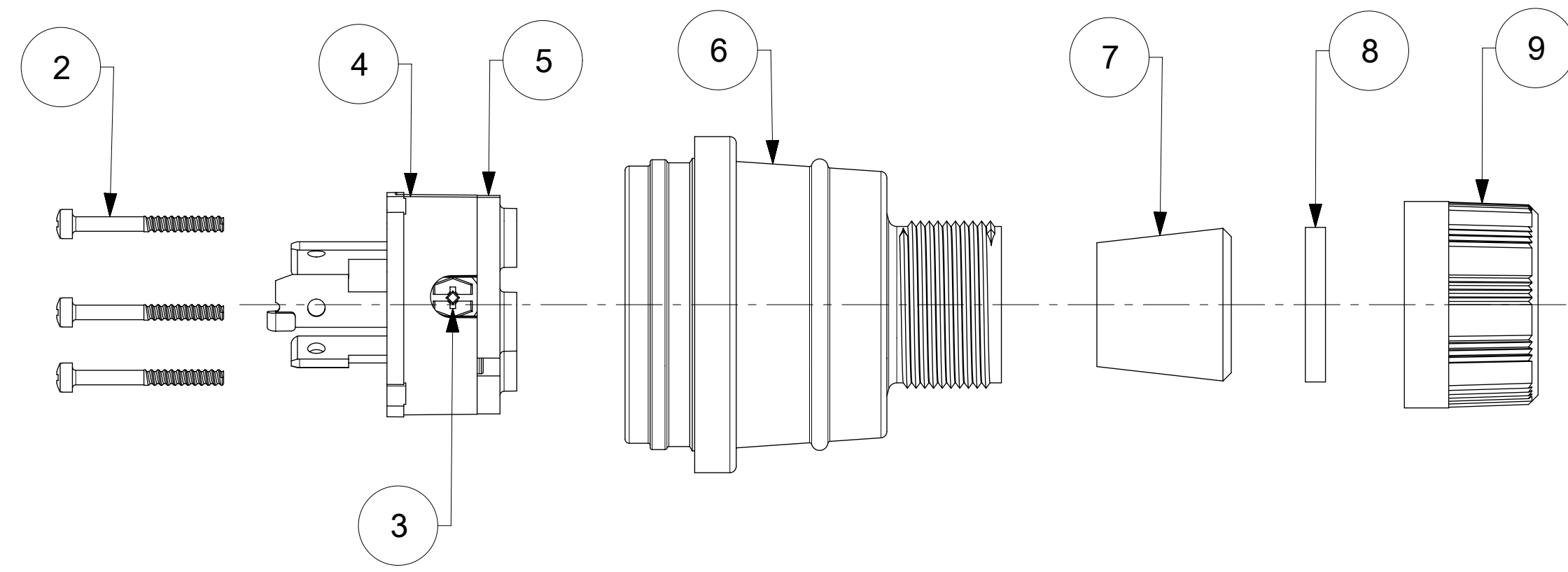
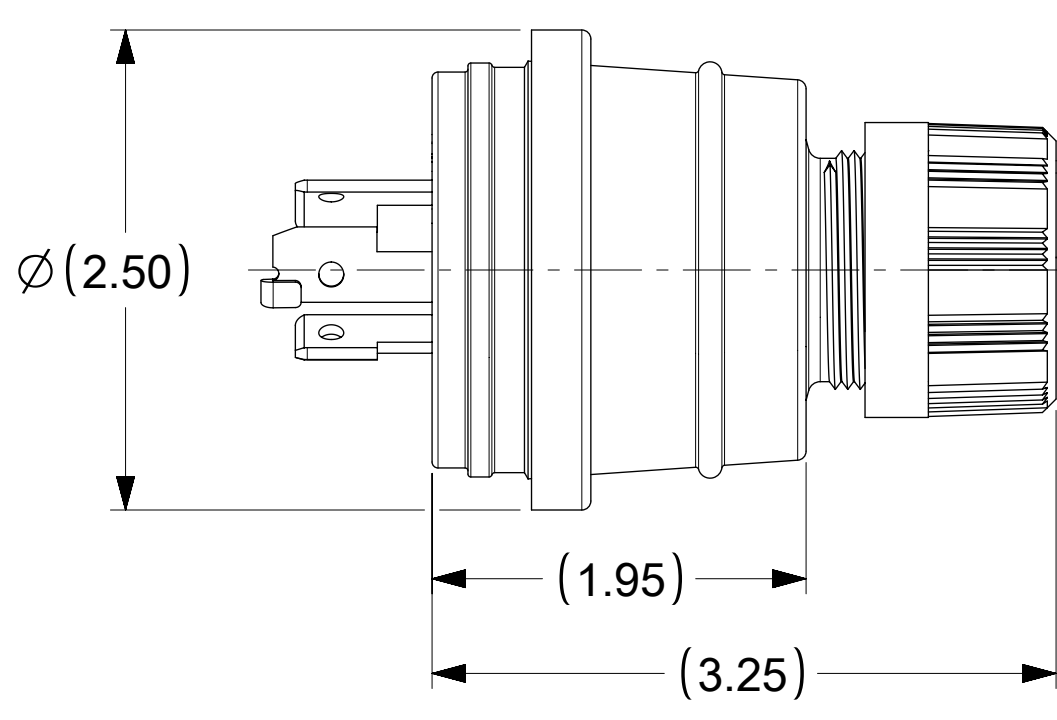


ORDER NO.	WOODHEAD NO.	COLOR
130147-0220	26W08-P	YELLOW



FACE VIEW



ITEM NO.	DESCRIPTION	MATERIAL	QTY.
1	BLADES	BRASS, NICKEL PLATED	3
2	RETAINING SCREWS	STAINLESS STEEL	3
3	CLAMP AND TERMINAL SCREW ASSY	BRASS, ZINC PLATED	3
4	INSERT	NYLON	1
5	TERMINAL COVER	POLYCARBONATE	1
6	HOUSING	SILICON WITH NYLON THREAD	1
7	GROMMET	RUBBER	1
8	FRICTION RING	NYLON	1
9	COMPRESSION NUT	NYLON	1

SYMBOLS		THIS DRAWING CONTAINS INFORMATION THAT IS PROPRIETARY TO MOLEX ELECTRONIC TECHNOLOGIES, LLC AND SHOULD NOT BE USED WITHOUT WRITTEN PERMISSION	
▽ = 0	INCH	SCALE	CURRENT REV DESC: RELEASED
▽ = 0	NTS		
▽ = 0	GENERAL TOLERANCES (UNLESS SPECIFIED)		
▽ = 0	ANGULAR TOL ± °		
▽ = 0	4 PLACES ±	EC NO: 614203	
▽ = 0	3 PLACES ±	DRWN: DSOPPIN	2018/12/11
▽ = 0	2 PLACES ±	CHK'D: DNGUYEN62	2019/03/25
▽ = 0	1 PLACE ±	APPR: HKNEELAND	2019/03/27
▽ = 0	0 PLACES ±	INITIAL REVISION:	
▽ = 0		DRWN: DSOPPIN	2018/12/11
▽ = 0		APPR: HKNEELAND	2019/03/27
▽ = 0	DRAFT WHERE APPLICABLE MUST REMAIN WITHIN DIMENSIONS	THIRD ANGLE PROJECTION	DRAWING SERIES
			C-SIZE 130147

molex		
WATERTITE PLUG TURNEX 3P3W NON-NEMA		
PRODUCT CUSTOMER DRAWING		
DOCUMENT NUMBER	DOC TYPE	DOC PART
1301470220	PSD	000
MATERIAL NUMBER	CUSTOMER	SHEET NUMBER
SEE TABLE	GENERAL MARKET	1 OF 1