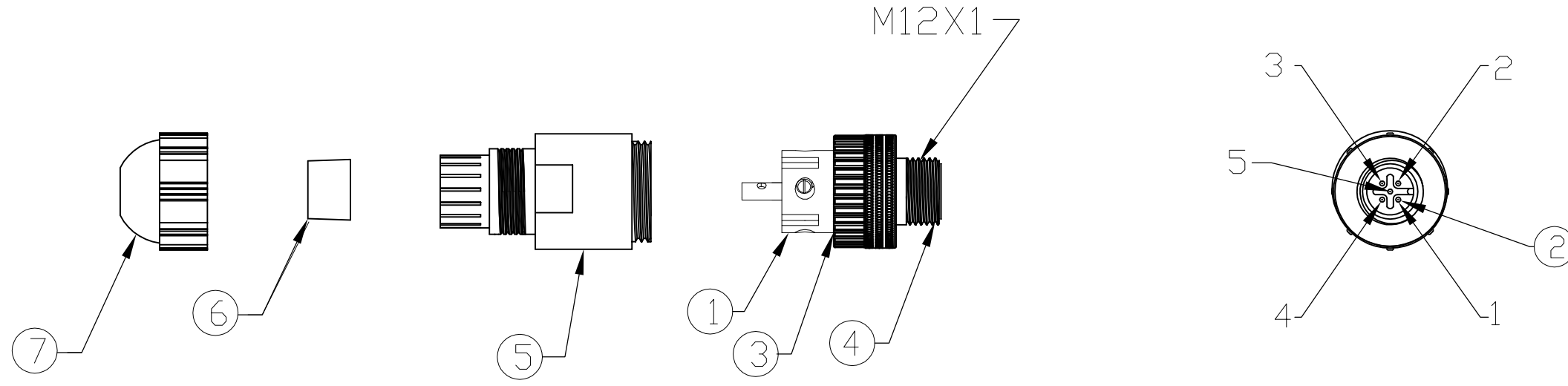
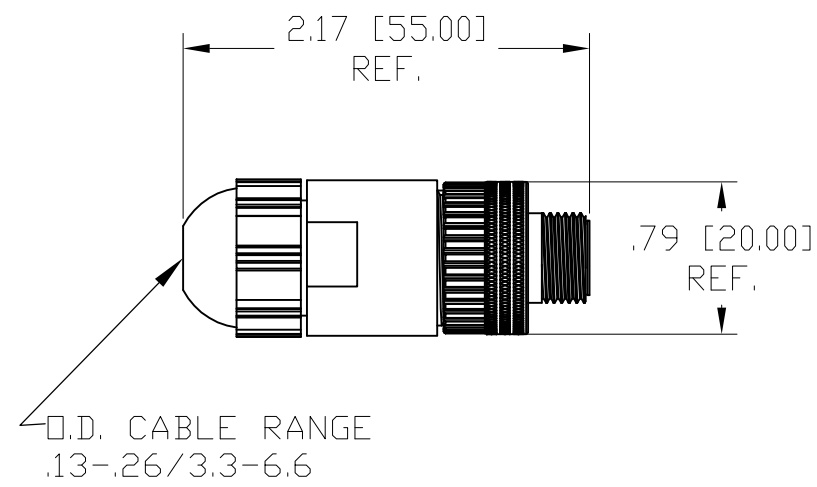
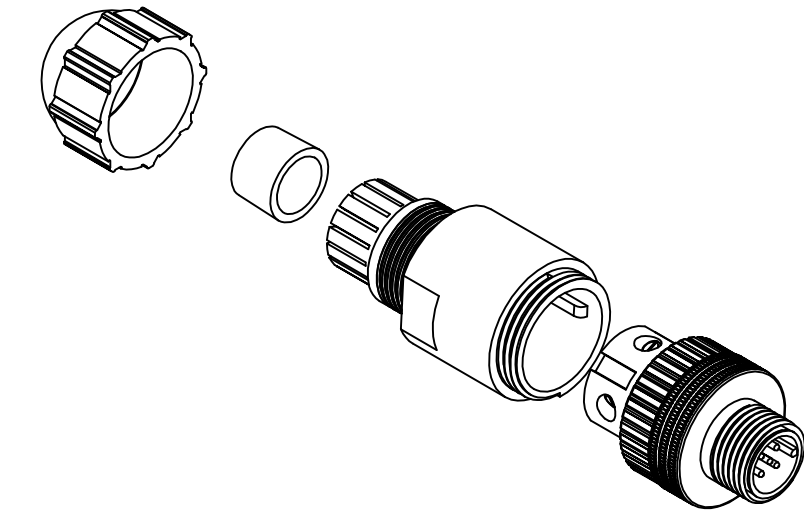


MATERIAL NUMBER	ENGINEERING NUMBER
1300340008	8A5006-32DN



MALE FACE VIEW

1	DRAIN
2	RED
3	BLACK
4	WHITE
5	BLUE

WIRING CHART

VOLTAGE RATING	30VAC/36VDC
AMPERAGE RATING	4 AMPS
PROTECTION	IP67
OPERATING TEMPERATURE	-25°C TO 90°C
CSA CERTIFICATIONS	CSA CERTIFIED, FILE NO. LR6837

ITEM		COMPONENT	MATERIAL	FINISH
1	1	INSERT	POLYAMIDE	BLACK
2	5	CONTACTS	COPPER ALLOY	SILVER PLATED
3	1	O-RING	NITRILE	BLACK
4	1	COUPLING NUT	BRASS	NICKEL PLATED
5	1	MOLDED BODY	POLYAMIDE	BLACK
6	1	GROMMET	NITRILE	BLACK
7	1	CORD GRIP BODY	POLYAMIDE	BLACK

RELEASE EC NO: WNA2010-0081 DRWN: TWOLDEGE 8/25/09 CH'KD: BWOODMAN APPR: JFMURPHY 2009/08/27	DESCRIPTION A	QUALITY SYMBOL	GENERAL TOLERANCES (UNLESS SPECIFIED) 4 PLACES ±--- ±--- 3 PLACES ±--- ±--- 2 PLACES ±--- ±.01 1 PLACE ±0.3 ±--- ANGULAR ±---° DRAFT WHERE APPLICABLE MUST REMAIN WITHIN DIMENSIONS	DIMENSION STYLE	SCALE	DESIGN UNITS	THIRD ANGLE PROJECTION	
		▽=0		---	INCH	---		---
		∇=0		mm	---	---		---
				---	---	---		---
DRAWN BY DATE TWOLDEGE 2009/08/25 CHECKED BY DATE BWOODMAN 2009/08/25 APPROVED BY DATE JFMURPHY 2009/08/26				TITLE		MIC 5P MALE ATTACH D-NET .16-.32 O.D. CABLE RANGE PG7 CABLE FITTING		
				MATERIAL NO.		DOCUMENT NO.		SHEET NO.
SIZE C				THIS DRAWING CONTAINS INFORMATION THAT IS PROPRIETARY TO MOLEX INCORPORATED AND SHOULD NOT BE USED WITHOUT WRITTEN PERMISSION				

