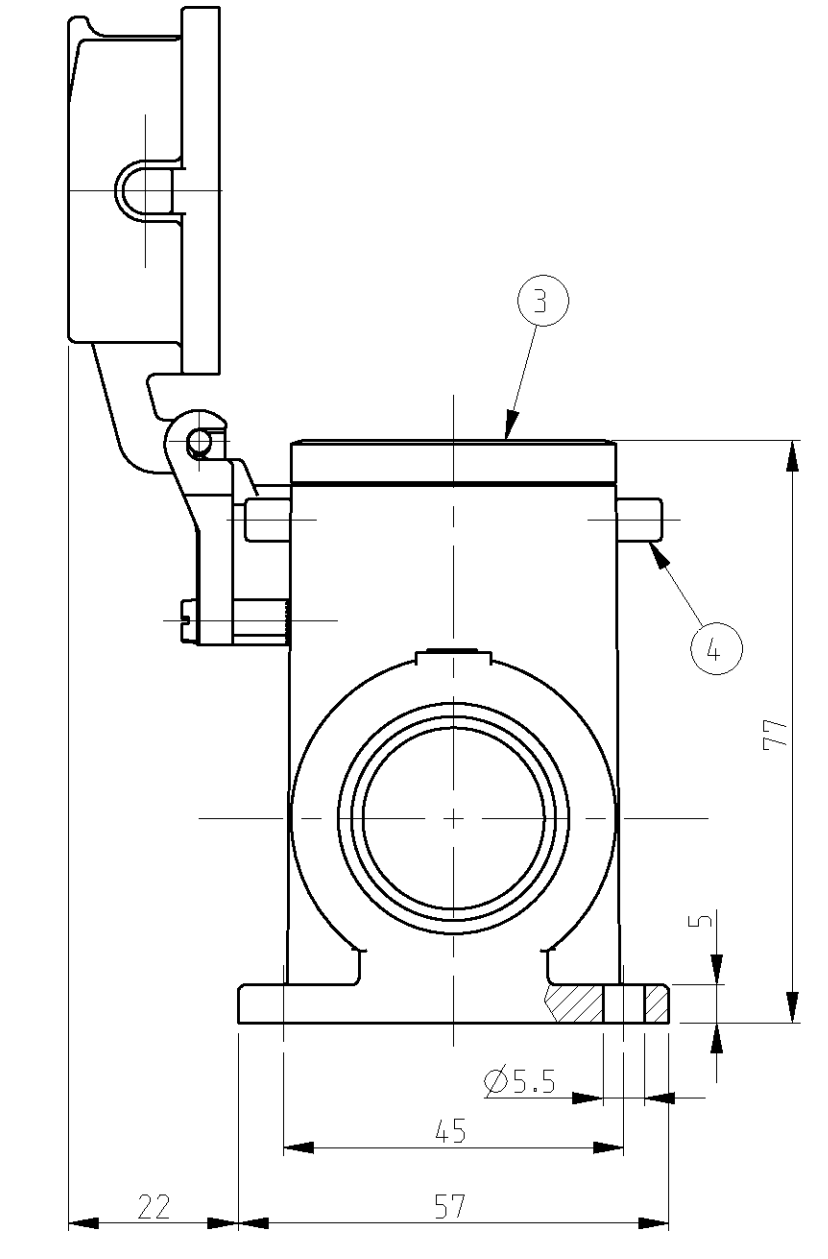
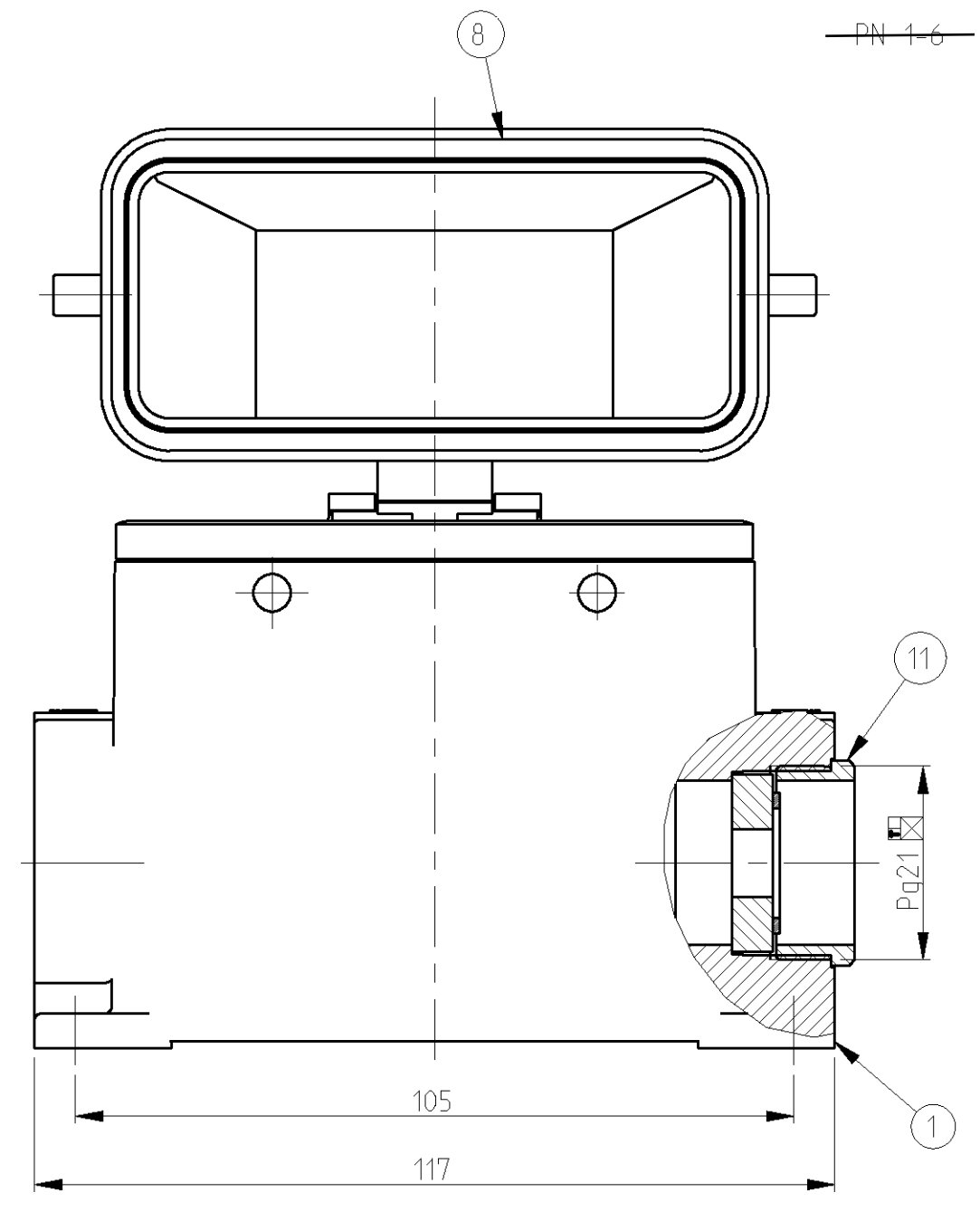
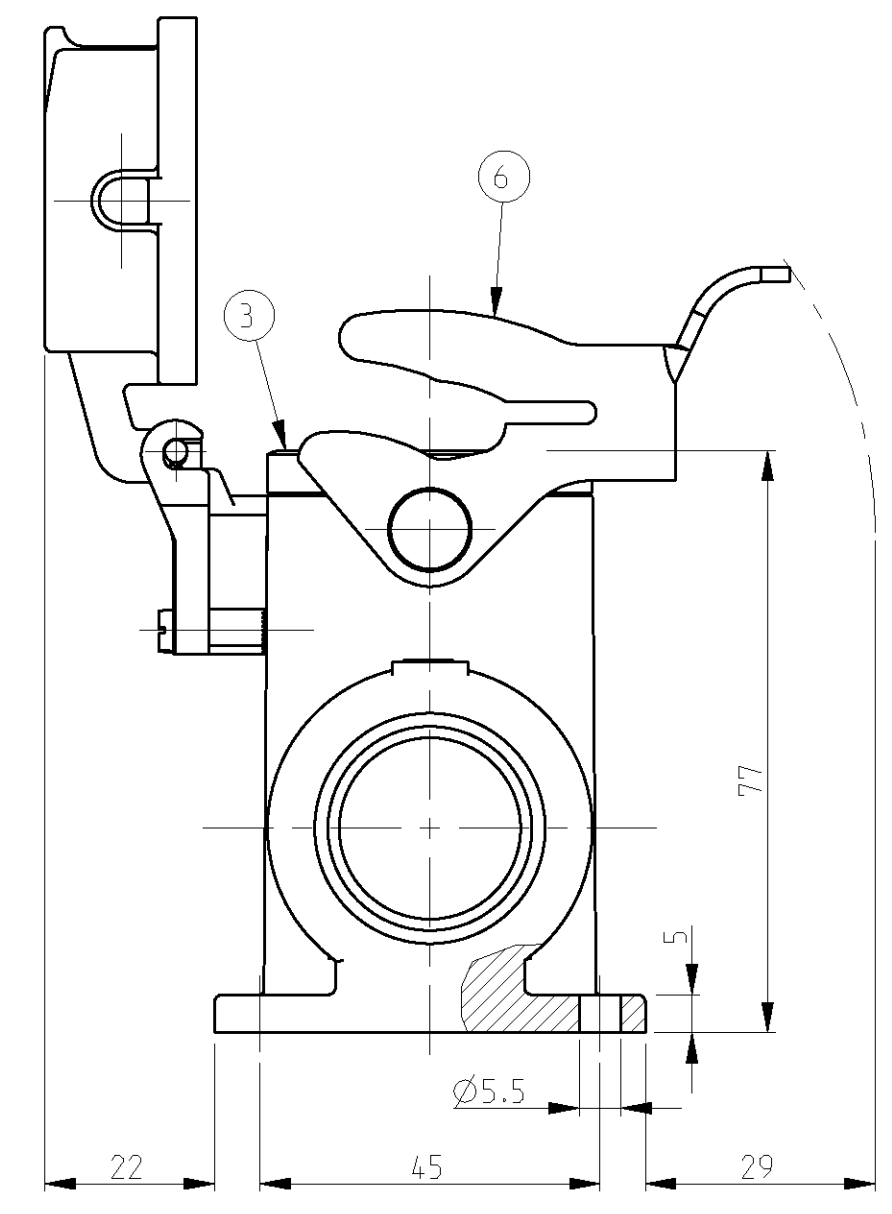
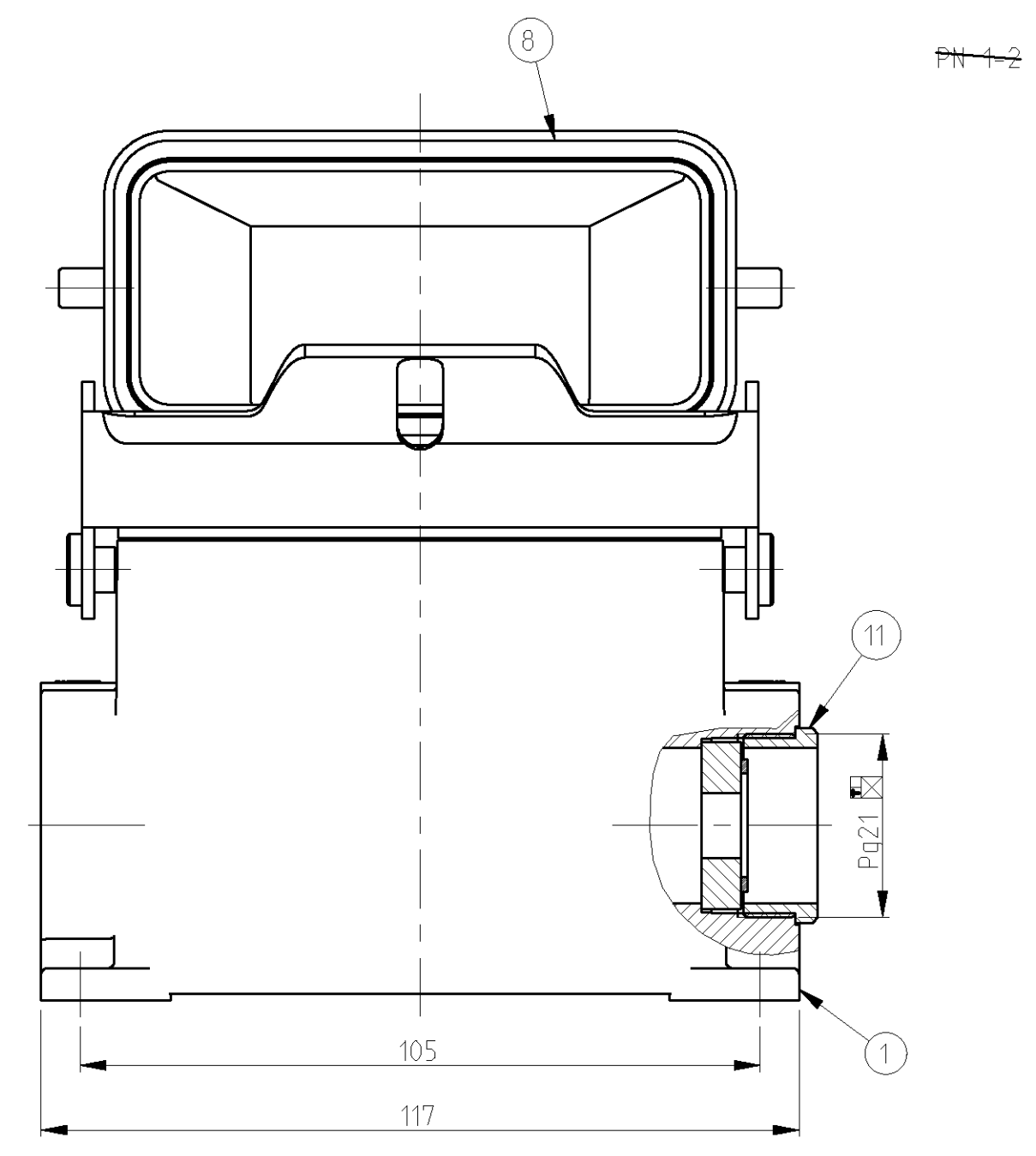
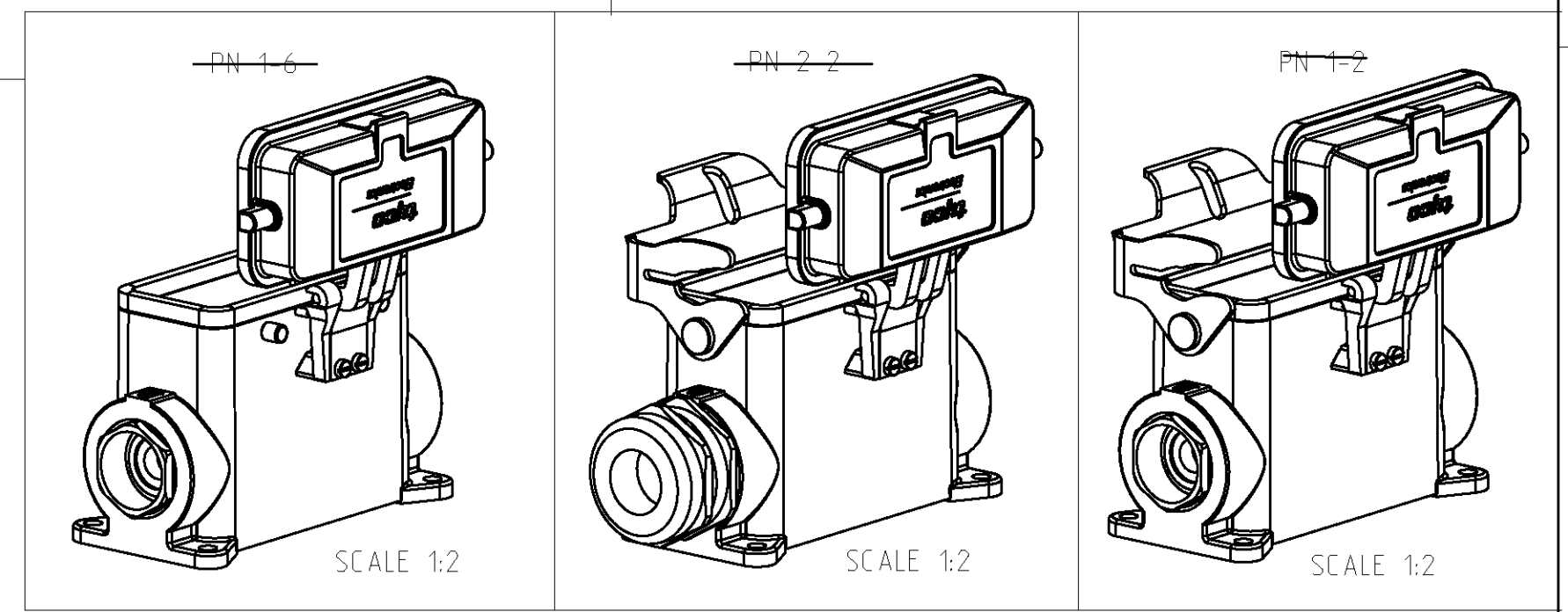
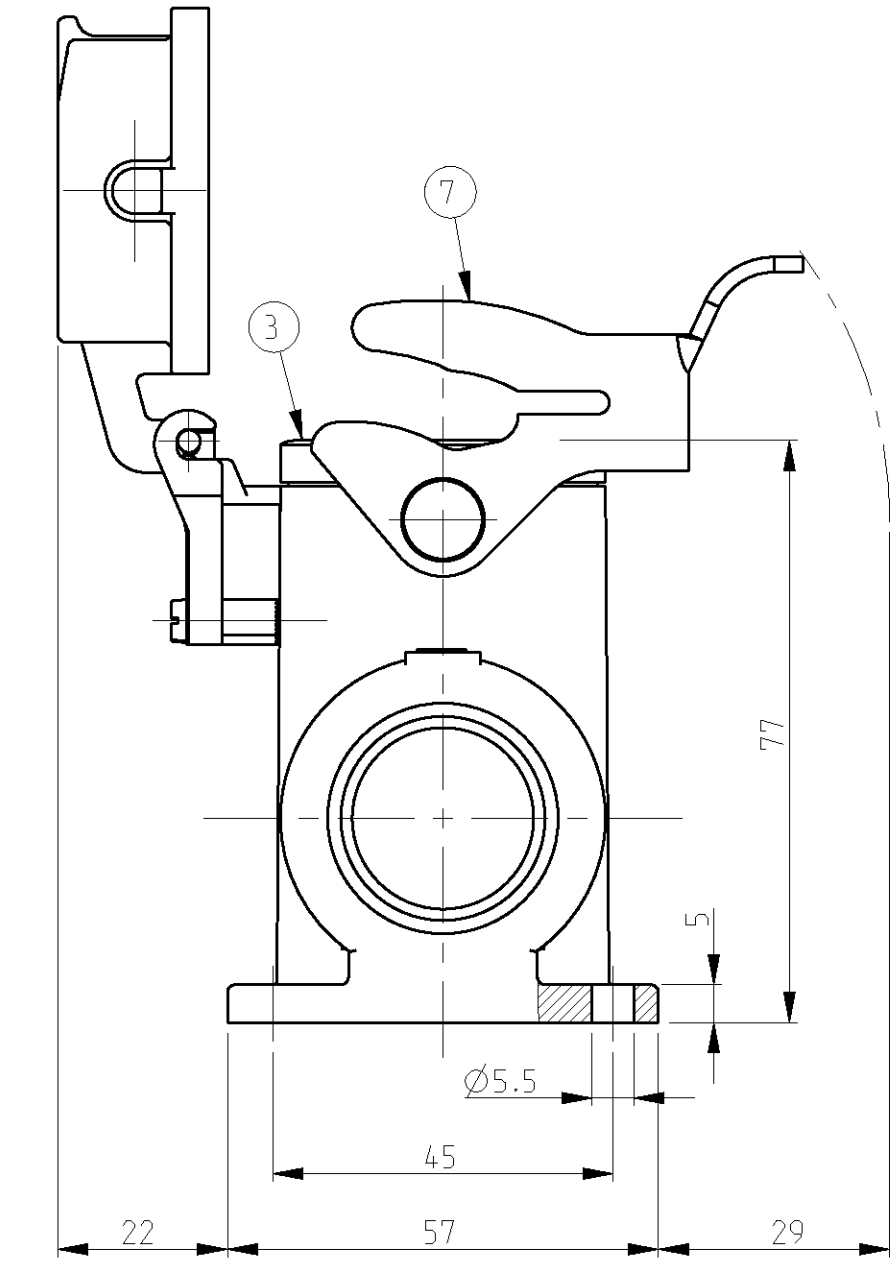
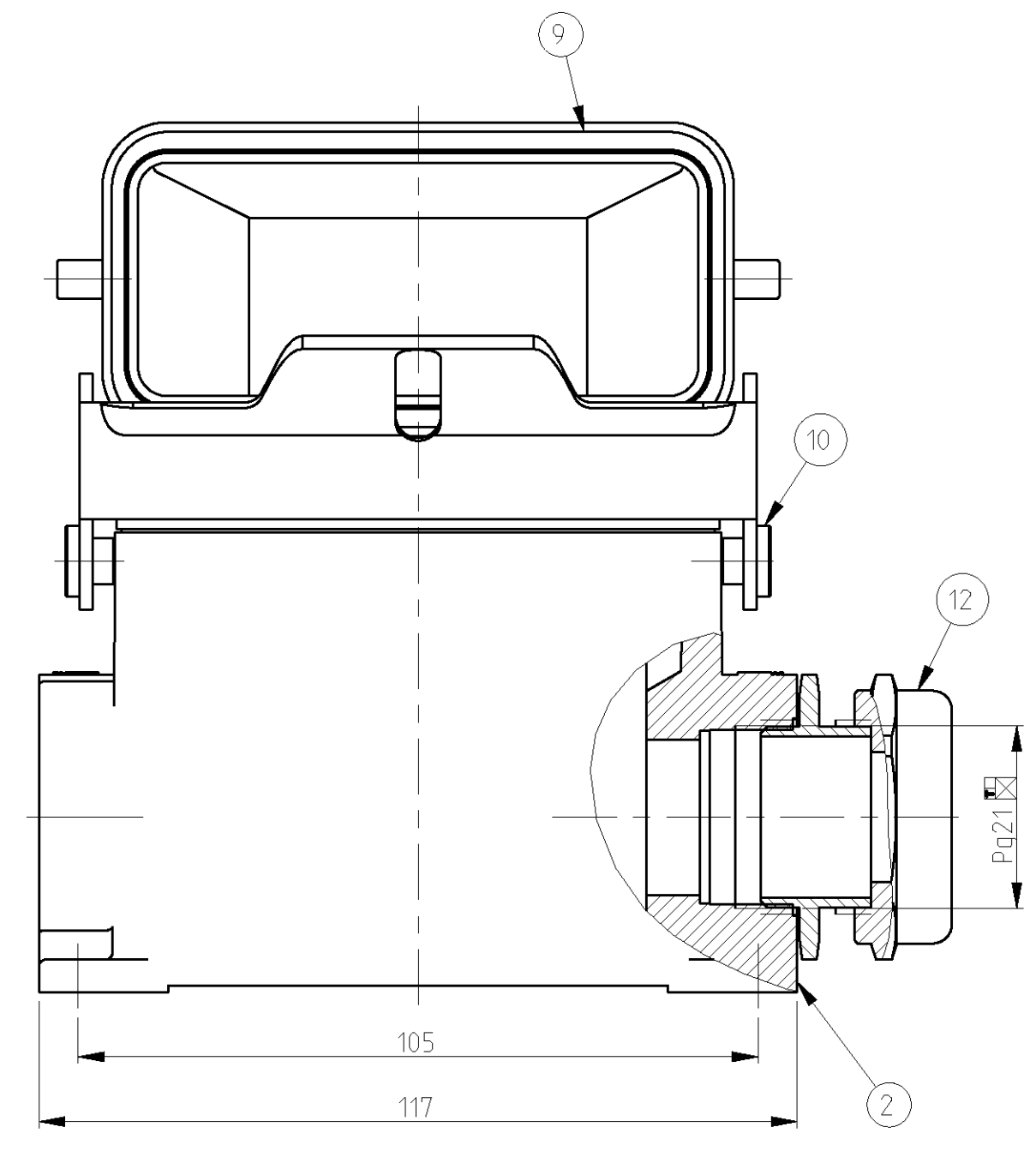


LOC		DIST		REVISIONS			
F	LTR	DESCRIPTION	DATE	DWN	APVD		
A4		REVISED PER ECO-09-027197	20JAN10	KK	HMR		
A5		ECR-17-001189	18AUG2017	RG	MKO		



- NOTES.
- Material:Housing:Aluminium Diecasting Alloy
Seals:Neoprene
 - Surface:Varnish grey
-Aluminium Oxide +Varnish Black
 - Varnish on the inside not necessary
 - Packaging
Quantity 5 Pieces in a box
- ⚠️ OBSOLETE PARTS: OBSOLETE CIS STREAMLINING PER D.RENAUD/D.SINISI



QTY	DESCRIPTION	MATERIAL	SURFACE	COLOR	ITEM NO	REMARKS
1	Gland fitting PG21	Brass	Nickel plated		12	
1	DS-Cable connection round PG21	Brass	Nickel plated		11	
2	LB-Clip bolt	Stainless steel	Blank		10	
1	Cover HB.16	Aluminium	Aluminium oxide	Black	9	
1	Cover HB.16	Aluminium		Grey	8	
1	LB-Side clip	Stainless steel	Blank		7	
1	LB-Side clip	Steel	Zinc plated		6	
4	VS-Clip bolt	Stainless steel	Blank		5	
4	VS-Clip bolt	Steel	Zinc plated		4	
1	Profile seal	Neoprene		Black	3	
1	Surface mounted housing HD.40.Pg.1.21	Aluminium	Aluminium oxide	Black	2	
1	Surface mounted housing HD.40.Pg.1.21	Aluminium		Grey	1	

ORDERING TEXT
 HD.40.SGD.1.21
 HD-K.40.SGD.LB.1.21
 HD-K.40.SGD.LB.1.21

DIMENSIONS: mm		TOLERANCES UNLESS OTHERWISE SPECIFIED: 0 - 3mm ±0.1 3 - 6mm ±0.15 6 - 12mm ±0.2 12 - 25mm ±0.3 25 - 50mm ±0.4 50 - 100mm ±0.5 ANGLES ±0.5°		DWG: Schneider 21.01.2000 CHK: Schneider 21.01.2000 APVD: Schweiger		NAME: - PRODUCT SPEC: - APPLICATION SPEC: - WEIGHT: - CUSTOMER DRAWING: -		TE Connectivity Surface mounted housing side entry HD.40.SGD.1.21		SIZE: A1 CAGE CODE: 00779 DRAWING NO: 1102588 SCALE: 1:1 SHEET: 1 OF 1 REV: A5	
-------------------	--	---	--	---	--	---	--	---	--	---	--