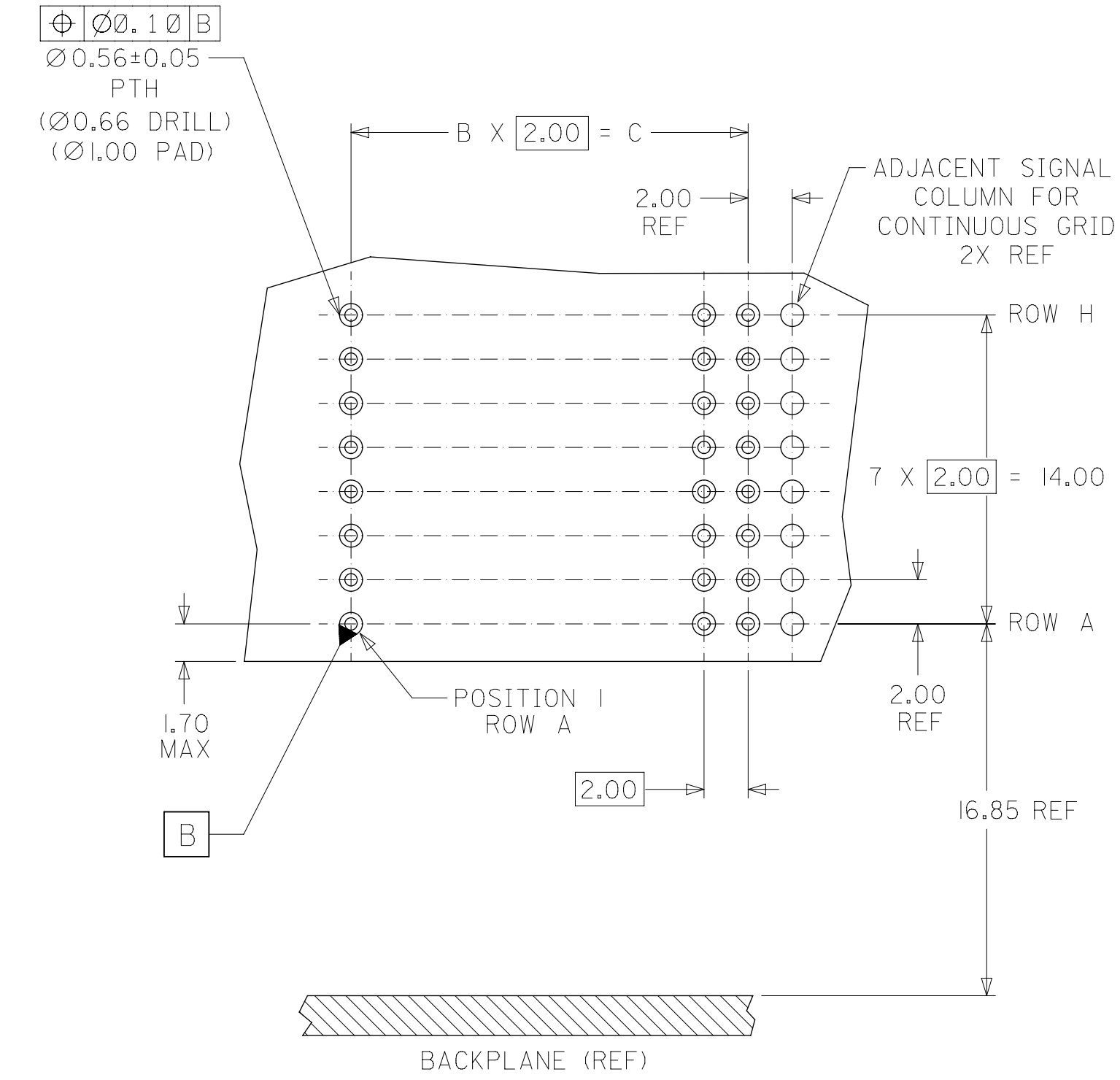
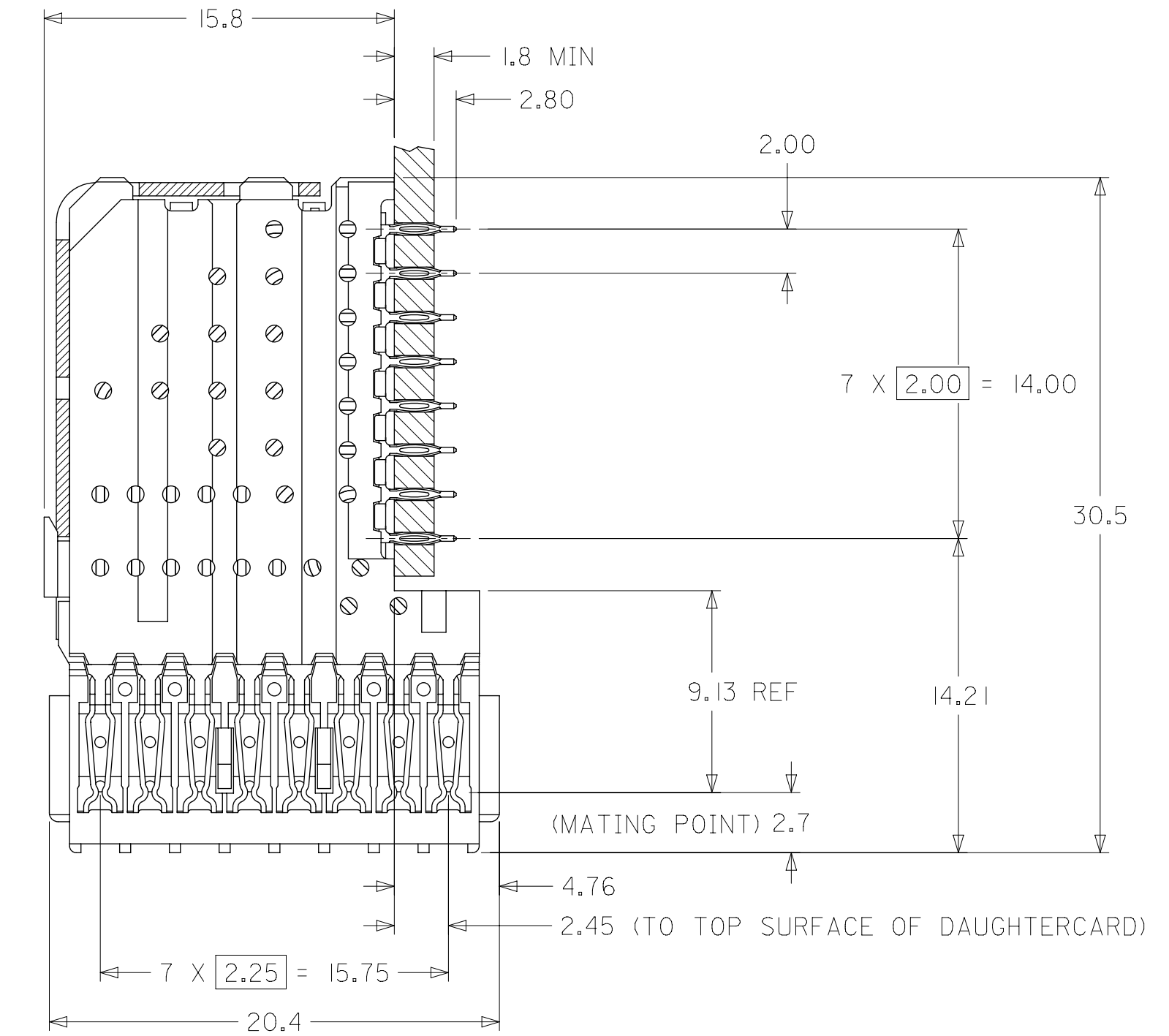
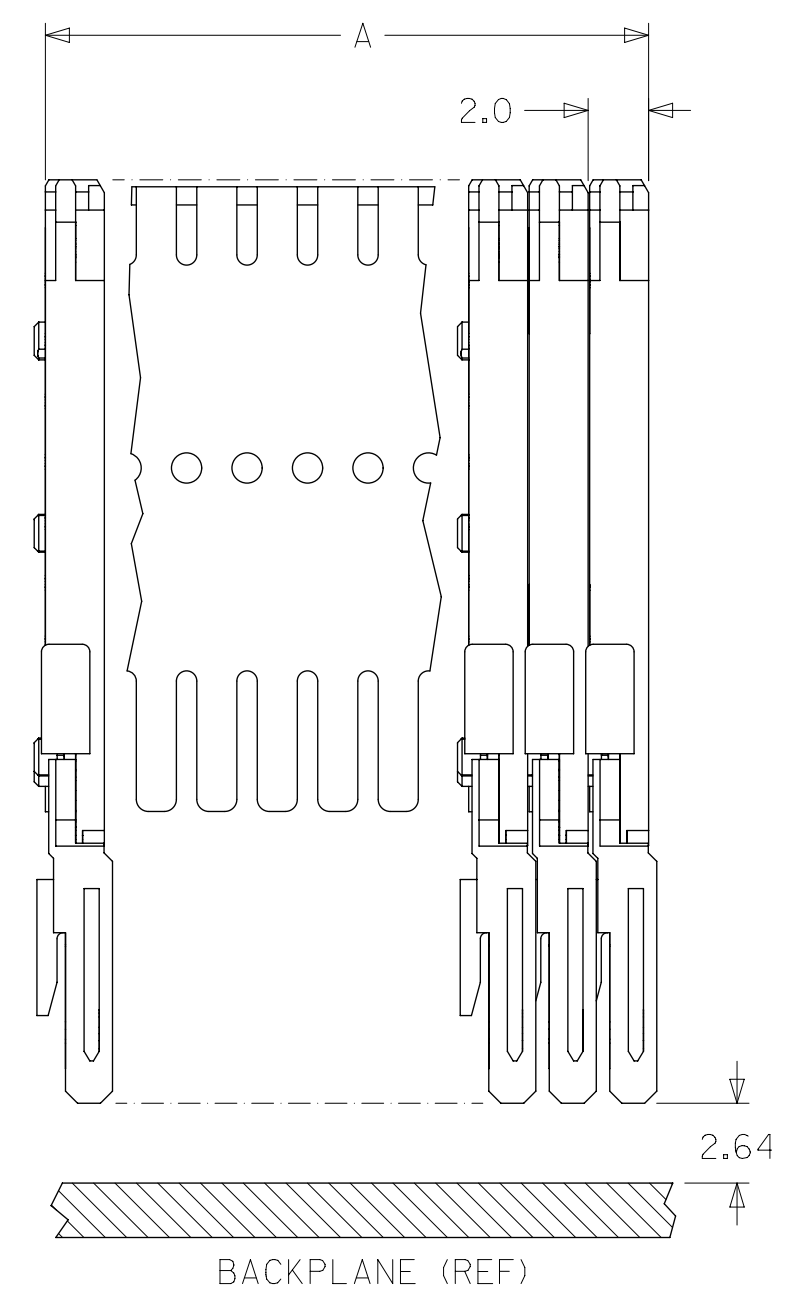
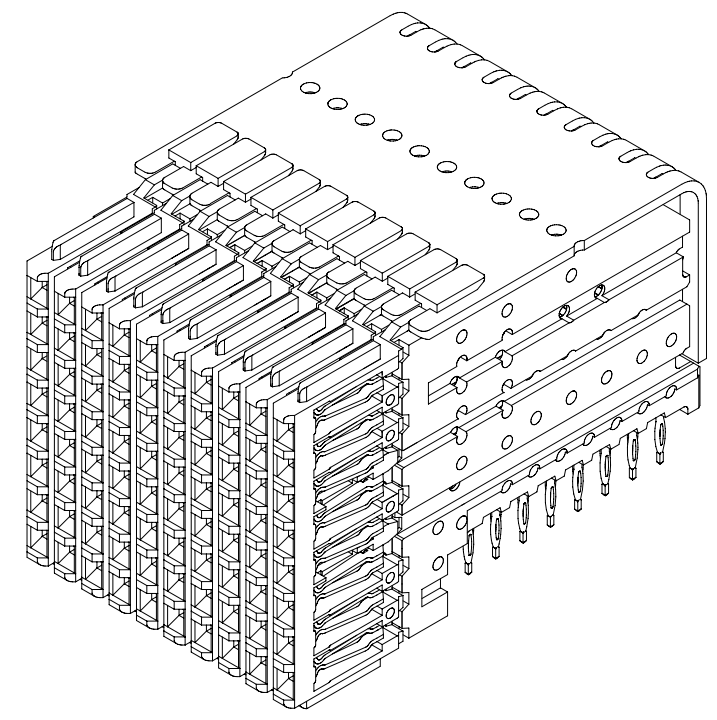
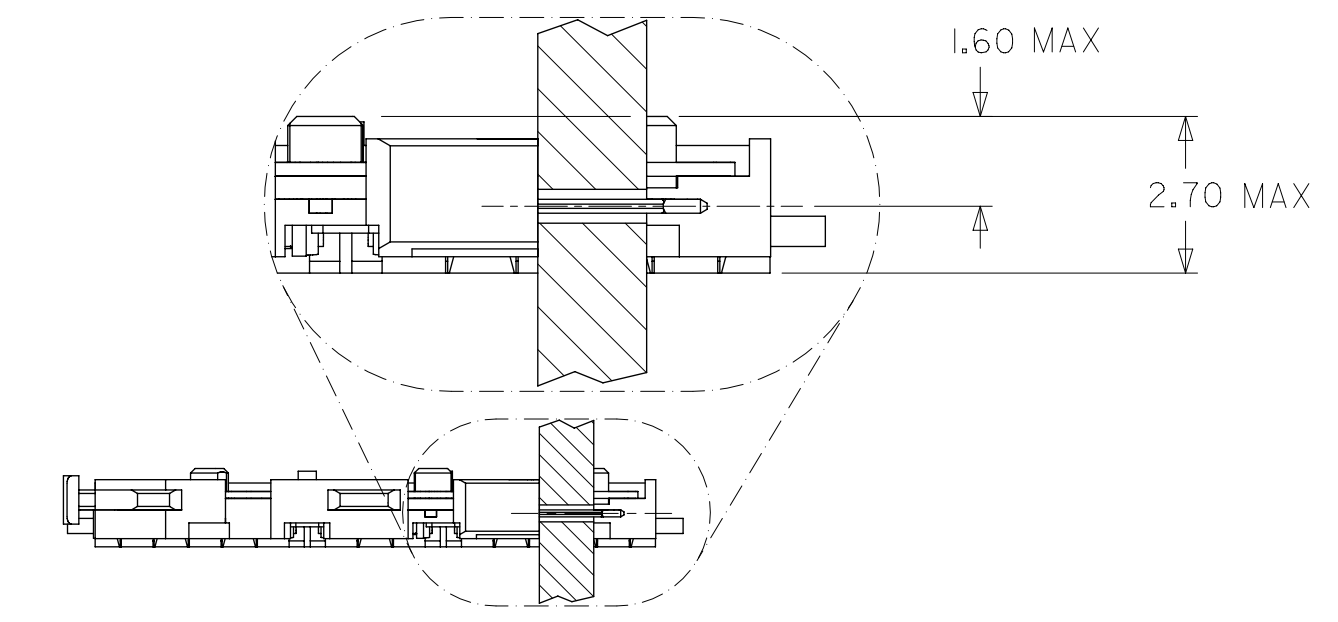


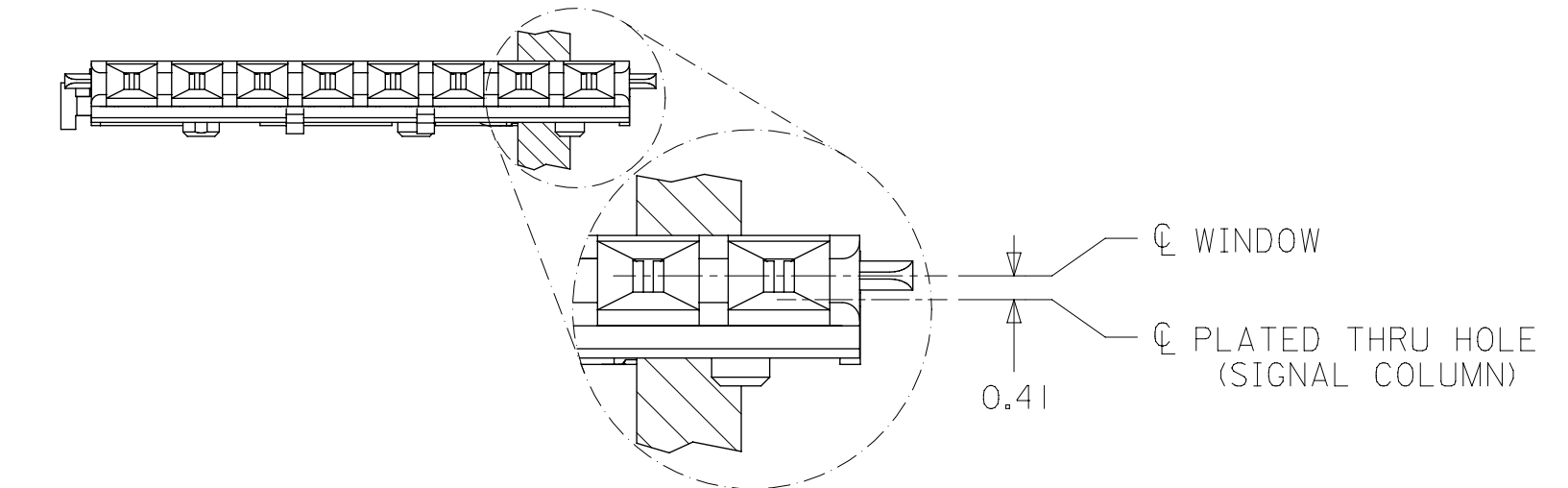
NOTES: (UNLESS OTHERWISE SPECIFIED)

1. MATERIALS: HOUSING - LIQUID CRYSTAL POLYMER (LCP), GLASS-FILLED, UL94V-0.  
SIGNAL TERMINALS - HIGH PERFORMANCE COPPER ALLOY.  
WAFER CARRIERS - BRASS.
2. FINISH: SIGNAL TERMINALS - SELECTIVE GOLD IN CONTACT AREA;  
SELECTIVE TIN/LEAD (Sn/Pb) OR  
MATTE TIN (Sn) ON PCB TAILS;  
NICKEL (Ni) OVERALL.
3. REFER TO MOLEX PRODUCT SPECIFICATION PS-74031-999 FOR PERFORMANCE SPECIFICATIONS.
4. SIGNAL WAFERS SUPPLIED ON STAINLESS STEEL STIFFENER IN GROUPS OF 10 OR 25 ONLY.
5. MAPS (MOLEX ADVANCED PLATING SYSTEM).

MATERIAL NUMBER	MINIMUM GOLD PLATING	WAFER PLASTIC COLOR	COMPLIANT TAIL PLATING
75188-1005	0.76µm (30 µ in)	BLACK	MATTE TIN
75188-1055	1.27µm (50 µ in)	GRAY	
75188-7005	0.76µm (30 µ in)	BLACK	TIN/LEAD



NUMBER OF SIGNAL WAFERS	A	B	C
10	20.0	9	18.00
25	50.0	24	48.00



DAUGHTERCARD HOLE PATTERN (CONNECTOR SIDE)

THIS DRAWING CONTAINS INFORMATION THAT IS PROPRIETARY TO MOLEX ELECTRONIC TECHNOLOGIES, LLC AND SHOULD NOT BE USED WITHOUT WRITTEN PERMISSION

DIMENSION UNITS	SCALE	CURRENT REV DESC: OBSOLETE PART NUMBERS	
mm	4:1		
GENERAL TOLERANCES (UNLESS SPECIFIED)			
	MM	INCH	
4 PLACES	±	±	
3 PLACES	±	±	
2 PLACES	± 0.25	±	
1 PLACE	± 0.38	±	
0 PLACES	±	±	
ANGULAR TOL	± 0.5°		
DRAFT WHERE APPLICABLE MUST REMAIN WITHIN DIMENSIONS		THIRD ANGLE PROJECTION	
		DRAWING	SERIES
		D-SIZE	75188
		MATERIAL NUMBER	CUSTOMER
		SEE TABLE	GENERAL MARKET
		DOCUMENT NUMBER	DOC TYPE DOC PART REVISION
		SD-75188-001	PSD 001 C1
DOCUMENT STATUS		P1	RELEASE DATE
2021/04/26		05:37:07	

EC NO: 661197  
DRWN: SANTHN 2021/02/03  
CHK'D: GGA 2021/04/26  
APPR: GGA 2021/04/26  
INITIAL REVISION:  
DRWN: MWOLFE 2012/02/14  
APPR: SMILLER 2012/02/16

**molex**

VHDM LITE  
8 ROW DAUGHTERCARD SALES DRAWING

PRODUCT CUSTOMER DRAWING

SHEET NUMBER 1 OF 1