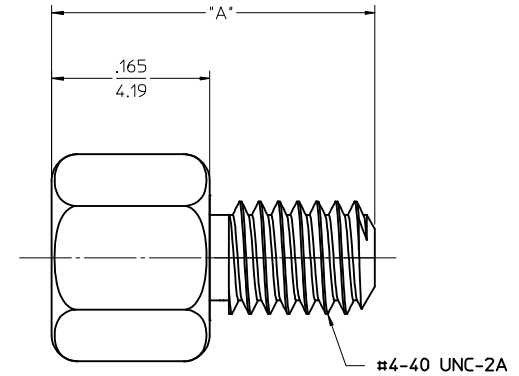
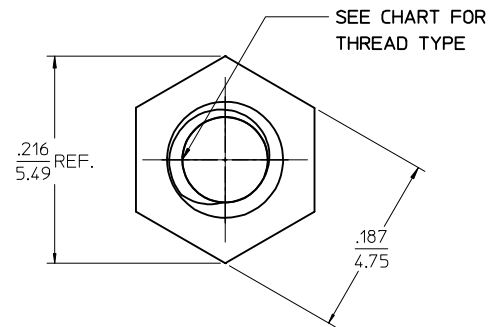
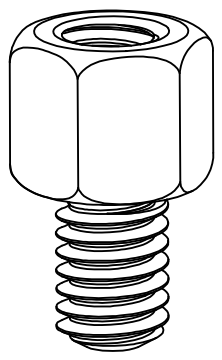


MAT'L NO.	INTERNAL THREAD	DIM. "A"	MATERIAL / PLATING
74962-0001	4-40 UNC-2B	.338 / 8.60	1215 STEEL
74962-0002	M3x0.5 CLASS 6H	.338 / 8.60	ZN CLEAR TRIVALENT CHROMATE
74962-0003	4-40 UNC-2B	.378 / 9.60	1215 STEEL
74962-0004	M3x0.5 CLASS 6H	.378 / 9.60	ZN CLEAR TRIVALENT CHROMATE

NOTES:
 1. PARTS ARE PACKAGED IN POLY BAGS CONSISTING OF 40 PIECES.
 2. INTERNAL AND EXTERNAL THREADS TO WITHSTAND A MINIMUM APPLIED TORQUE OF 5 lbf in/5.76 kgf cm.

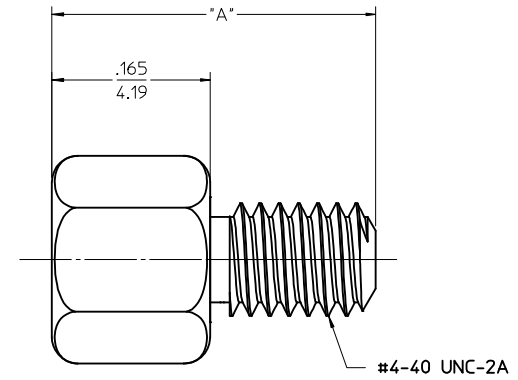
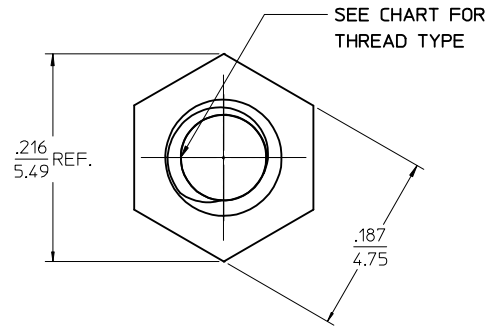
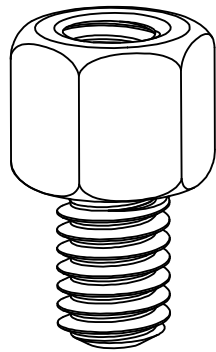


CHANGED MATERIAL EC NO: UCP2009-2659 DRWN: JIANTELEZ 4/28/09 CHKD: 2009/06/09 APPR: MBANAKIS2009/06/09	QUALITY SYMBOLS	GENERAL TOLERANCES (UNLESS SPECIFIED)	SCALE 10:1	DESIGN UNITS INCH	THIRD ANGLE PROJECTION	REVISE ON CAD ONLY
	▼ - 0 ∇ - 0	4 PLACES ± --- ± ---	DIMENSION STYLE IN/MM	TITLE TDP 3/16" HEX JACKPOST		
		3 PLACES ± --- ± .010	DRAWN BY TMCLELL DATE 03/03/11	MOLEX INCORPORATED		
		2 PLACES ± 0.25 ± ---	CHECKED BY DATE	APPROVED BY MBANAKIS DATE 08/11/17	MATERIAL NO. SEE CHART	DOCUMENT NO. SD-74962-000
	1 PLACE ± --- ± ---	ANGULAR ± 1/2°	THIS DRAWING CONTAINS INFORMATION THAT IS PROPRIETARY TO MOLEX INCORPORATED AND SHOULD NOT BE USED WITHOUT WRITTEN PERMISSION			
		DRAFT WHERE APPLICABLE MUST REMAIN WITHIN DIMENSIONS				

MAT'L NO.	INTERNAL THREAD	DIM. "A"	MATERIAL / PLATING
74962-1000	4-40 UNC-2B	.338 / 8.60	STAINLESS STEEL 303
74962-2000	M3x0.5 CLASS 6H	.338 / 8.60	
74962-3000	4-40 UNC-2B	.378 / 9.60	STAINLESS STEEL 303
74962-4000	M3x0.5 CLASS 6H	.378 / 9.60	
74962-0005	4-40 UNC-2B	.421 / 10.69	STAINLESS STEEL 303
74962-0006	M3x0.5 CLASS 6H	.421 / 10.69	

NOTES:

1. PARTS ARE PACKAGED IN POLY BAGS CONSISTING OF 40 PIECES.
2. INTERNAL AND EXTERNAL THREADS TO WITHSTAND A MINIMUM APPLIED TORQUE OF 5 lbf in/5.76 kgf cm.

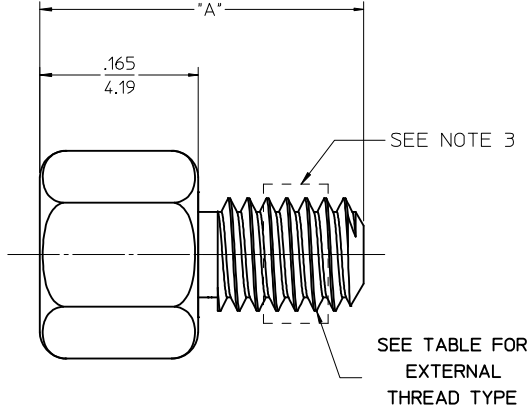
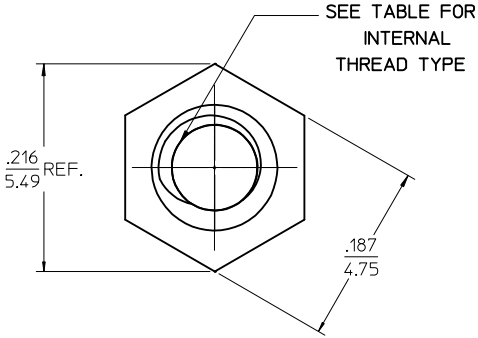
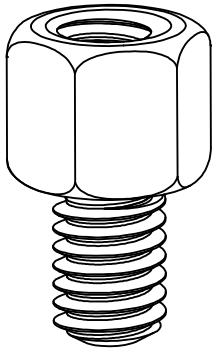


INITIAL RELEASE EC NO: UCP2015-0921 DRWNT: IBARRA 2014/08/01 CHKD: MPOFF 2014/08/29 APPR: SMILLER 2014/09/04	QUALITY SYMBOLS 	GENERAL TOLERANCES (UNLESS SPECIFIED)		DIMENSION STYLE IN/MM	SCALE 10:1	DESIGN UNITS INCH	THIRD ANGLE PROJECTION
		4 PLACES ± --- ± ---	DRAWN BY TIBARRA	DATE 2014/08/01	TITLE TDP 3/16" HEX JACKPOST		
		3 PLACES ± --- ± .010	CHECKED BY MPOFF	DATE 2014/08/29			
		2 PLACES ± 0.25 ± ---	APPROVED BY SMILLER	DATE 2014/09/04	MATERIAL NO. SEE TABLE	DOCUMENT NO. SD-74962-1000	SHEET NO. 1 OF 1
1 PLACE ± --- ± ---	ANGULAR ±1/2°		DRAFT WHERE APPLICABLE MUST REMAIN WITHIN DIMENSIONS				
0 PLACE ± ±	SIZE 		THIS DRAWING CONTAINS INFORMATION THAT IS PROPRIETARY TO MOLEX INCORPORATED AND SHOULD NOT BE USED WITHOUT WRITTEN PERMISSION				

13	12	11	10	9	8	7	6	5	4	3	2	1
MAT'L NO.	INTERNAL THREAD	EXTERNAL THREAD	DIM. "A"	MATERIAL / PLATING								
74962-1110	4-40 UNC-2B	4-40 UNC-2A	.338 / 8.60	STAINLESS STEEL 303 / NYLON TORQUE PATCH								

NOTES:

- PARTS ARE PACKAGED IN POLY BAGS CONSISTING OF 40 PIECES.
- INTERNAL AND EXTERNAL THREADS TO WITHSTAND A MINIMUM APPLIED TORQUE OF 5 lbf in/5.76 kgf cm.
- NYLOK® TORQUE PATCH LOCATED TO THE LEFT OF THE FIRST OR SECOND FULL THREADS AND COVERS 3 THREADS MINIMUM.



MOD NOTE 3 EC NO: UCP2016-1139 2015/09/14 DRWN:TIBARRA 2015/09/14 CHK:MCAN 2015/09/14 APPR:SMILLER 2015/09/17	QUALITY SYMBOLS	GENERAL TOLERANCES (UNLESS SPECIFIED)		DIMENSION STYLE	SCALE	DESIGN UNITS	THIRD ANGLE PROJECTION	
	▽=0	mm	INCH	IN/MM	10:1	INCH		
	▽=0	4 PLACES ± .005	± .010	DRAWN BY TIBARRA	DATE 2015/07/09	TITLE TDP 3/16" HEX JACKPOST WITH TORQUE PATCH		
	▽=0	3 PLACES ± .005	± .010	CHECKED BY DMORGAN	DATE 2017/07/09			
REV	DESCRIPTION	ANGULAR ±1/2°		MATERIAL NO.	DOCUMENT NO.		SHEET NO.	
B		DRAFT WHERE APPLICABLE MUST REMAIN WITHIN DIMENSIONS		SEE TABLE	SD-74962-1110		1 OF 1	
				SIZE	THIS DRAWING CONTAINS INFORMATION THAT IS PROPRIETARY TO MOLEX INCORPORATED AND SHOULD NOT BE USED WITHOUT WRITTEN PERMISSION			

