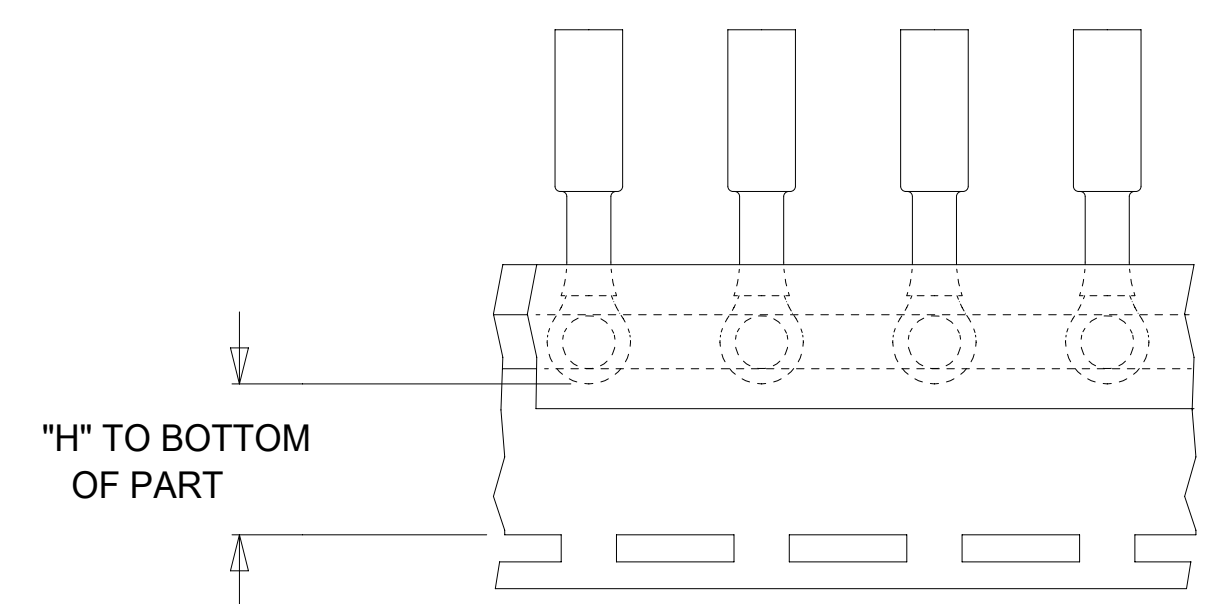
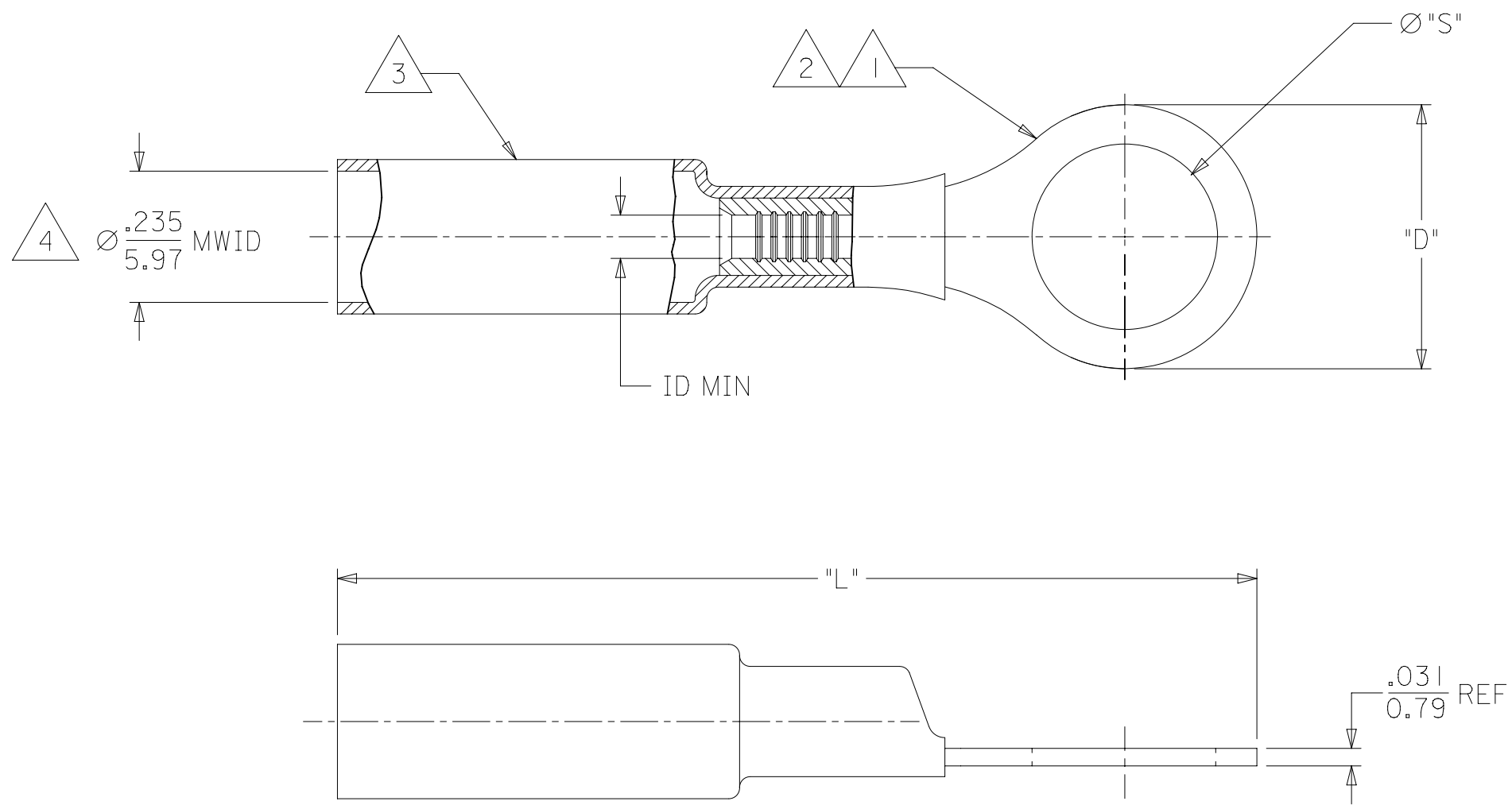


MAT'L NO.	ENG NO.	MAT'L NO. (TAPE)	ENG NO. (TAPE)	STUD SIZE	"S" ±.005 (0.03)	"D" MAX	"H" REF	"L" MAX	ID MIN
191640031	SB-237-04	-----	-----	#4	.119/3.02	.320/8.17	-----	1.45/36.8	.082/2.08
191640032	SB-237-06	191640310	SB-237-06T	#6	.146/3.71	.320/8.17	.545/13.84	1.45/36.8	.082/2.08
191640033	SB-237-08	191640311	SB-237-08T	#8	.173/4.39	.320/8.17	.545/13.84	1.45/36.8	.082/2.08
191640034	SB-237-10	191640312	SB-237-10T	#10	.198/5.03	.320/8.17	.545/13.84	1.45/36.8	.082/2.08
191640025	SB-225-10	-----	-----	#10	.198/5.03	.475/12.07	-----	1.63/41.4	.082/2.08
191640026	SB-225-14	191640308	SB-225-14T	1/4	.265/6.73	.475/12.07	.363/9.22	1.63/41.4	.082/2.08
191640027	SB-225-56	191640309	SB-225-56T	5/16	.328/8.33	.475/12.07	.363/9.22	1.63/41.4	.082/2.08
191640020	SB-218-38	191640307	SB-218-38T	3/8	.390/9.91	.544/13.82	.340/8.64	1.68/42.67	.082/2.08
191640022	SB-223-06	---	---	#6	.146/3.71	.255/6.48	---	1.26/32.0	.082/2.08



PARTS ON TAPE

- NOTE(S):
- 1 TERMINAL MATERIAL: COPPER ALLOY
 - 2 FINISH: ELECTRO TIN PLATE.
 - 3 INSULATION MATERIAL: HEAT SHRINKABLE TUBING WITH HOTMELT ADHESIVE INNER LINER. COLOR: BLUE
 - 4 MWID = MAXIMUM WIRE UNSULATION DIAMETER.
 - 5. PARTS ARE RoHS COMPLIANT.

FUNCTIONAL SYMBOLS	THIS DRAWING CONTAINS INFORMATION THAT IS PROPRIETARY TO MOLEX ELECTRONIC TECHNOLOGIES, LLC AND SHOULD NOT BE USED WITHOUT WRITTEN PERMISSION			
	DIMENSION UNITS	SCALE	CURRENT REV DESC: ENG PN#: SB-237-** "H" REF DIM .545 WAS .527 & SB-225-** "H" REF DIM .363 WAS .338	
$\frac{F}{A} = 0$	IN/MM	NTS		
$\frac{F}{C} = 0$	GENERAL TOLERANCES (UNLESS SPECIFIED)			
$\frac{F}{P} = 0$			RING TONGUE TERMINAL PERMA-SEAL NIAC 16-14 AWG	
DIVISIONAL SYMBOLS	MM	INCH		
	4 PLACES ±	±	EC NO: 692404 DRWN: DMYRICK 2022/01/17 CHK'D: JMACNEIL 2022/01/17 APPR: JMACNEIL 2022/01/17	
	3 PLACES ±	±		
	2 PLACES ±	±	PRODUCT CUSTOMER DRAWING	
	1 PLACE ±	±		
	0 PLACES ±	±	INITIAL REVISION: DRWN: APPR:	
	ANGULAR TOL ± °	°		
	DRAFT WHERE APPLICABLE MUST REMAIN WITHIN DIMENSIONS	THIRD ANGLE PROJECTION	DRAWING	SERIES
			C-SIZE	19164
			MATERIAL NUMBER	CUSTOMER
			SEE CHART	GENERAL MARKET
			DOCUMENT NUMBER	DOC TYPE DOC PART REVISION
			SD-19164-026	PSD 001 C5
				SHEET NUMBER
				1 OF 1