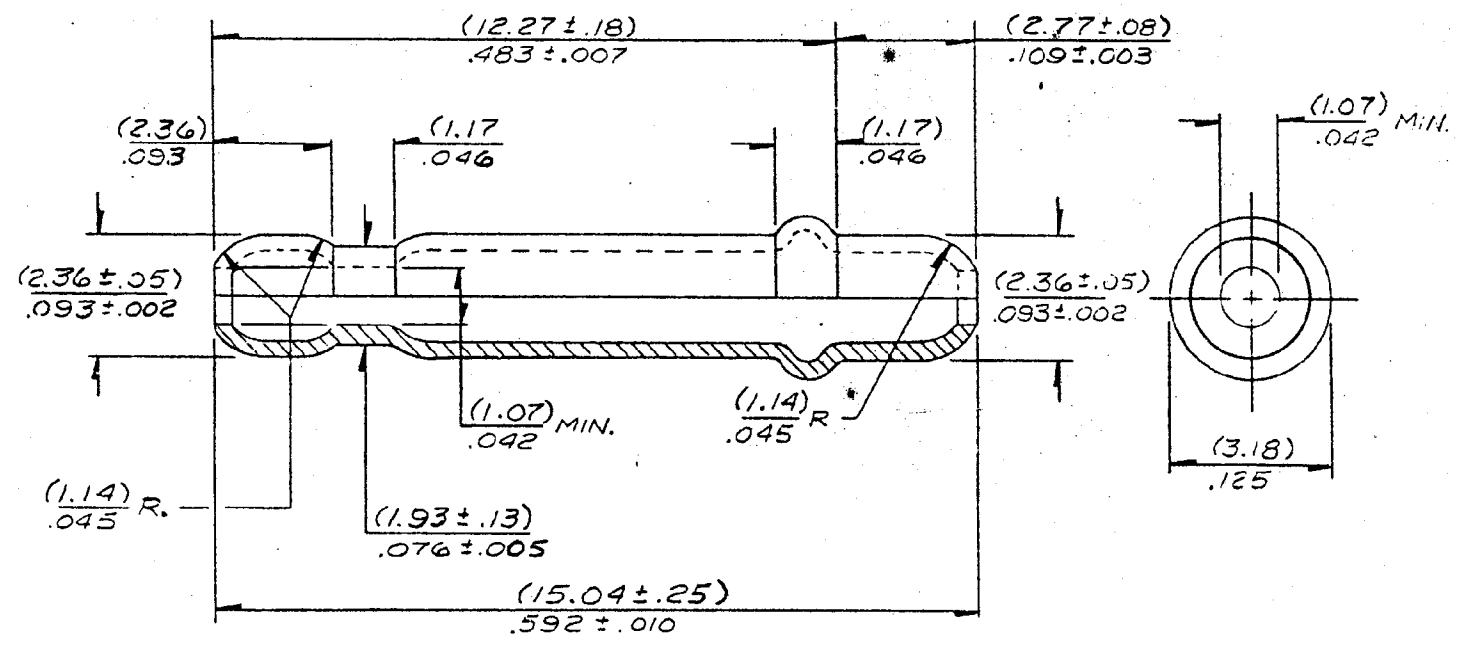


575

PART NO.
16-06-0005
ENG. NO.
SDSP-575-125

S
S
S
13



MAT'L: 70/30 BRASS
FINISH: ELECTRO TIN PLATE (0,00508)/.000200 MIN. PER E.S.-88-125.

FINAL REL. MAX 50060 11-0-75-740	REVISIONS	DIMENSION SHOWN (METRIC)/INCH		TITLE .093/(2.36) DIA. PIN FOR P.C. BOARD MOUNTING	
		UNLESS OTHERWISE SPECIFIED TOLERANCE: INCH METRIC 3 PLACE ± .010 ± 0.25 2 PLACE ± .014 ± 0.36 1 PLACE ± .014 ± 0.36 ANGULAR 1/2° DRAFT WHERE APPLICABLE MUST REMAIN WITHIN DIMENSIONS UNLESS OTHERWISE SPECIFIED DO NOT SCALE DRAWING		MOLEX INCORPORATED LISLE, ILL. 60532 U.S.A.	
DRWG BY TRM APP'D BY GWF		CHK'D BY RW SCALE 8X1		PART NO. 16-06-0005	ENG. NO. SDSP-575-125
LTR.		ATWB		THIS DRAWING CONTAINS INFORMATION THAT IS PROPRIETARY TO MOLEX INC. AND SHOULD NOT BE USED WITHOUT WRITTEN PERMISSION.	

6 5 4 3 2 1

D

C

B

A