

PC/104, PC/104 Plus Specification

- Industry Standard bus connection systems, typically used on embedded PC applications.
- Designed for Board-To-Board stacking with a common bus.

PC/104 Connectors – 2.54mm pitch (M20)

Materials

Mouldings:	High Temperature Plastic, UL94V-0
Contacts:	Phosphor Bronze
Finish:	Gold

Electrical

Current	
Solder Tail:	3A max
Press-Fit Tail:	1A max
Working voltage:	12V DC
Voltage proof:	1,000V AC
Contact resistance:	30mΩ max
Insulation resistance:	5,000MΩ min

Mechanical

Durability	
Mating:	10 operations
Press-fit:	3 operations
Insertion force (max):	2.0N per contact
Withdrawal force (min):	0.25N per contact
Insertion force to board (max)	
Press-Fit:	80N per contact

Environmental

Temperature range:	-55°C to +105°C
--------------------	-----------------

PC/104 Plus – 2.00mm pitch (M22)

Materials

Mouldings:	High Temperature Plastic, UL94V-0
Contacts	
M22-602:	Brass
Others:	Phosphor Bronze
Finish:	See order code

Electrical

Current:	1A max
Working voltage:	12V DC
Voltage proof:	800V AC
Contact resistance:	30mΩ max
Insulation resistance:	5,000MΩ min

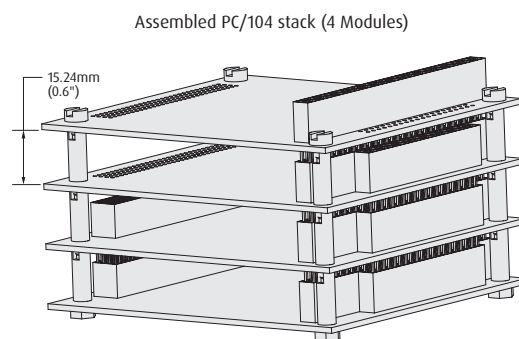
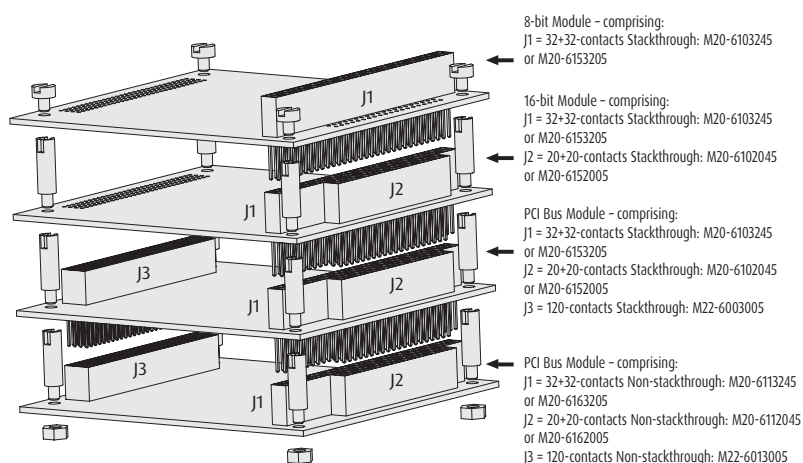
Mechanical

Durability:	10 operations
Insertion force (max):	2.0N per contact
Withdrawal force (min):	0.3N per contact

Environmental

Temperature range:	-55°C to +105°C
--------------------	-----------------

Typical PC/104 & PC/104-Plus Module Stack

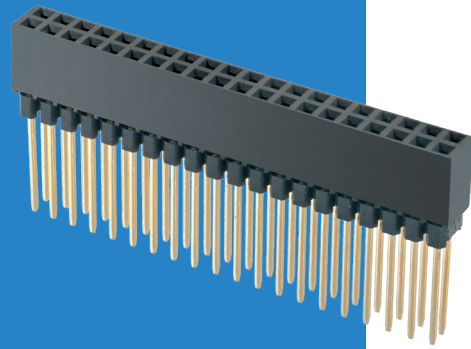


All dimensions in mm.

PC/104 Connectors

2.54mm Pitch Vertical Bus Connectors

- 32+32 contacts supports an 8-bit system.
- 20+20 contacts combined with 32+32 contacts supports a 16-bit system.
- Press-fit connectors can be assembled direct to the PCB without soldering, using plated-through holes.
- Stackthrough connectors act as both male and female connectors.



PC/104, PC/104 PLUS

SOLDER TAIL		CALCULATION		PRESS-FIT TAIL		CALCULATION	
		A	$B + 3.2$			A	$B + 3.56$
		B	$2.54 \times (\text{No. of contacts per row} - 1)$			B	$2.54 \times (\text{No. of contacts per row} - 1)$
<p>Recommended PC Board Pattern</p>						<p>Recommended PC Board Pattern</p>	

HOW TO ORDER

M20 - 61 X XX XX

SERIES CODE

TYPE	
0	Stackthrough, 12.20mm Solder Tail
1	Non-Stackthrough, 2.30mm Solder Tail
5	Stackthrough, 12.10mm Press-Fit Tail
6	Non-Stackthrough, 3.40mm Press-Fit Tail

FINISH

05	Gold (M20-615, 616)
45	Gold (M20-610, 611)

NO. OF CONTACTS PER ROW

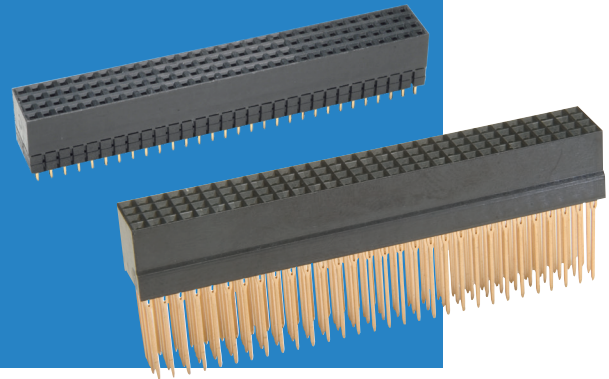
20, 32

All dimensions in mm.

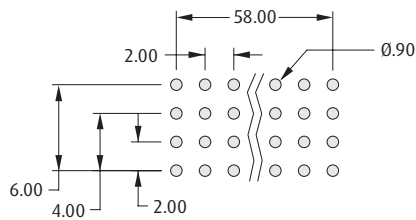
PC/104 Plus Connectors

2mm Pitch Vertical Bus Connectors

- Supports PCI bus.
- Stackthrough connectors act as both male and female connectors.
- Available in Solder tail configuration.

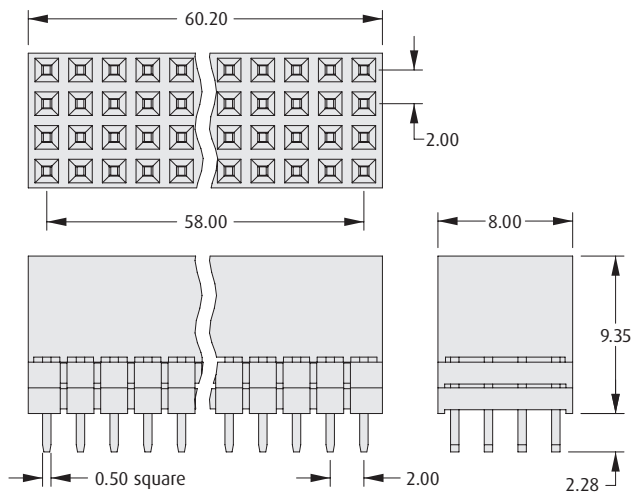


PC/104, PC/104 PLUS

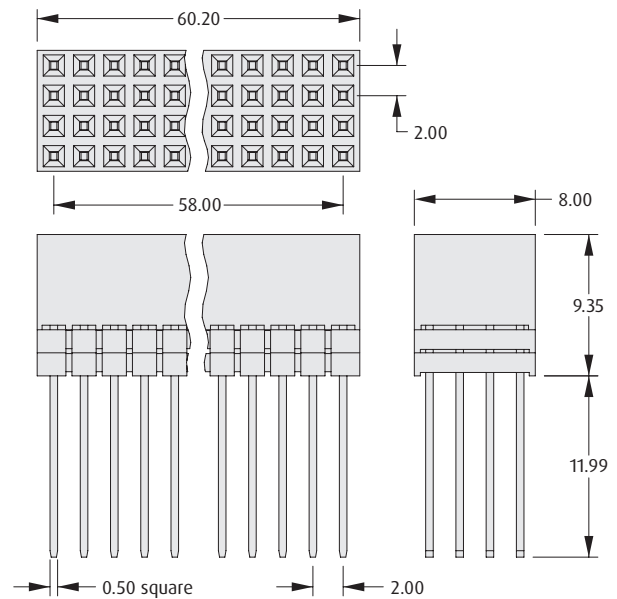


Recommended PC Board Pattern

NON-STACKTHROUGH



STACKTHROUGH



HOW TO ORDER

M22 - 60 X 30 05

SERIES CODE

TYPE

0	Stackthrough
1	Non-Stackthrough

FINISH

05 Gold

NO. OF CONTACTS PER ROW

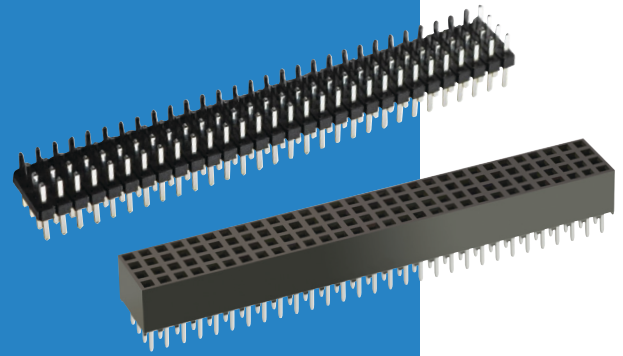
30

All dimensions in mm.

PC/104 Plus Connectors

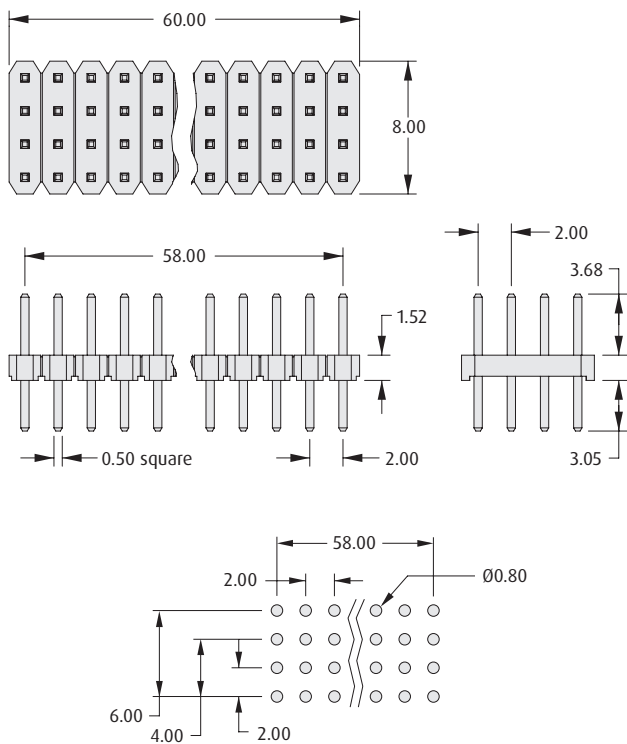
2mm Pitch Accessory Connectors

- Accessory connectors for use with the PC/104 Plus range.



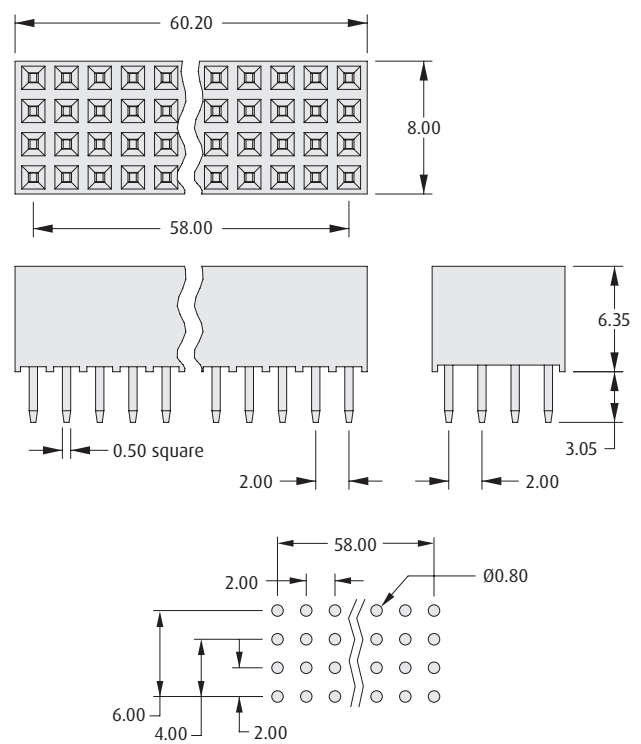
PC/104, PC/104 PLUS

PC/104 PLUS POST HEADER



Recommended PC Board Pattern

PC/104 PLUS POST HEADER RECEPTACLE



Recommended PC Board Pattern

HOW TO ORDER

M22 - 60 X 30 42

SERIES CODE

FINISH

TYPE

NO. OF CONTACTS PER ROW

2 Post Header

42 Gold + Tin

3 Post Receptacle

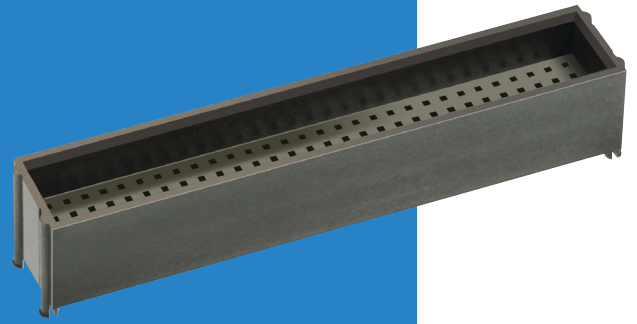
30

All dimensions in mm.

PC/104 Plus Connectors

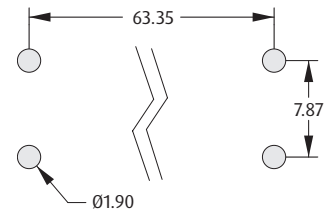
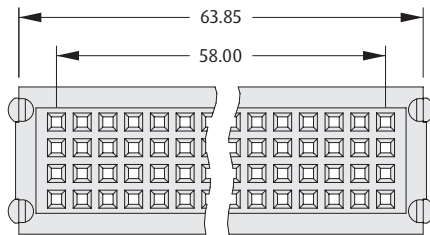
Accessories

- Accessory components for use with the PC/104 Plus range.
- The shroud is used to protect the long tails of the Stackthrough connector from the previous page, and ensures alignment with a mating connector. It self retains on the underside of the PCB after the Stackthrough connector has been soldered to the PCB, by latching into the four mounting holes.

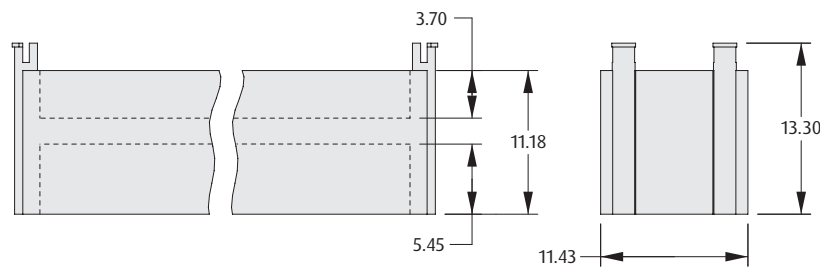


PC/104, PC/104 PLUS

PC/104 PLUS SHROUD



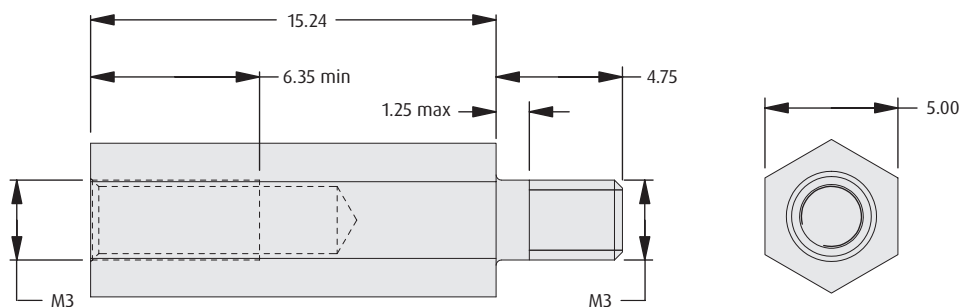
Recommended PC Board Pattern



ORDER CODE

M22-6043098

PC/104 SPACER



ORDER CODE

R6104-02

All dimensions in mm.